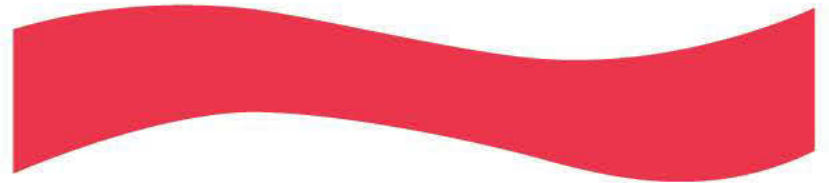


# Britax



**The first choice for...**  
Beacons, Lightbars, Lamps, Mirrors & Switches

## PUBLIC SAFETY EQUIPMENT

Public Safety Equipment (PSE) group is a leading global highway safety solutions business, supporting on and off highway vehicle applications worldwide. PSE group companies are focussed on providing product and technology expertise through market leading brands, for both the commercial and emergency services sectors. Commercial solutions encompass a range of special products,

for on and off highway vehicles, including lamps, mirrors, switches and windscreen wiper equipment.

Other key products include police and emergency lightbars and related lighting solutions, digital in-car video systems and devices for manned speed enforcement.

1

**Britax PMG Ltd / Premier Hazard Ltd**  
Bridlington, UK

2

**Public Safety Equipment (Intl)**  
Leeds, UK

3

**Britax PSV Wypers Ltd**  
Worcester, UK

4

**Britax Autozubehör GmbH**  
Ulm, Germany

5

**Britax Signalisation S.A.**  
Lyon, France

6

**Kustom Signals Inc**    **Kustom Signals Inc**  
Lenexa, Kansas, USA    Manufacturing Plant  
Sales Office                      Chanute Kansas, USA

7

**Code 3 Inc**  
St Louis, Missouri, USA

8

**Britax Automotive  
Equipment Pty Ltd**  
Brisbane, Australia

9

**Britax Automotive  
Equipment Pty Ltd**  
Melbourne, Australia



**BEACONS & LIGHTBARS** 04

**LAMPS & REFLECTORS** 42

**MIRRORS** 88

**SWITCHES** 104

**HERITAGE** 118

### BRITAX PMG

Britax PMG Limited is a leading supplier of an extensive range of mandatory and auxiliary lighting, amber hazard warning products and rear view mirrors.

Britax offer specialist on and off highway vehicle manufacturers and operators, unrivalled levels of choice and service, continuously investing in all areas of the business including design, sales and marketing and operations.

Britax PMG are proud to build on more than 60 years of heritage by providing product and market expertise, design innovation and excellence in customer service.

Britax PMG Ltd is certified with BS EN ISO9001/2002 and ISO 14001: 2004 for environmental systems.

### BRITAX PSV WYPERS

Britax PSV Wypers are a specialist supplier of windscreen wiper systems, including linkage assemblies, wash components, arms & blades and gas struts, for most commercial and PSV functions, along with high specification marine and rail-vehicle applications.

For new vehicle development programmes, a full design service is available, with the ability to produce prototypes and pre-production parts.

A complete range of aftermarket components is also available from a network of distributors.



### BRITAX PMG LTD

Bessingby Ind. Est. Bridlington,  
East Yorkshire, YO16 4SJ, England.

T +44 (0) 1262 670161

F +44 (0) 1262 605666

E [info@britax-pmg.com](mailto:info@britax-pmg.com)



### BRITAX PSV WYPERS LTD

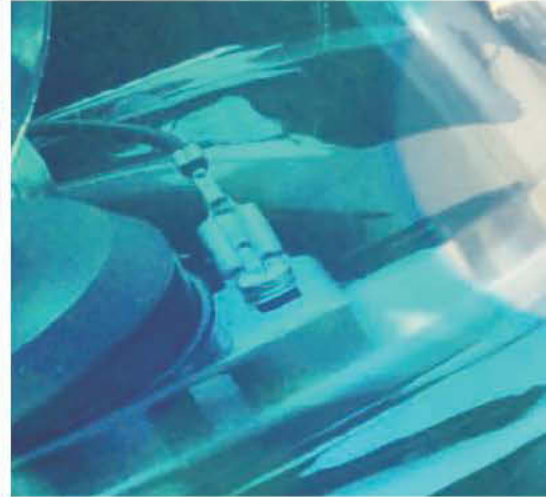
Navigation Road, Diglis,  
Worcester, WR5 3DE.

T +44 (0) 1905 350500

F +44 (0) 1905 763928

E [patsy@psv-wypers.com](mailto:patsy@psv-wypers.com)





**Britax**  
The first choice for...  
**Beacons & Lightbars**



visit our website | [www.britax-pmg.com](http://www.britax-pmg.com)

# BEACONS

THREE BOLT FIXING BEACONS	06
THREE BOLT FIXING LED BEACONS	09
SINGLE BOLT FIXING BEACONS	11
SINGLE BOLT FIXING LED BEACONS	14
PLUG IN BEACONS	16
PLUG IN LED BEACONS	18
MAGNETIC BEACONS	20
MAGNETIC LED BEACONS	23
PLUG IN FLEXI BEACONS	25
ADAPTORS	29

# LIGHTBARS

SINGLE BOLT FIXING LIGHTBARS	30
MAGNETIC LIGHTBARS	31
AEROLIGHT LIGHTBARS	32
SIGN PLATE OPTIONS	37
20/20 LIGHTBAR RANGE	40

# Beacons & Lightbars

## TECHNICAL INFORMATION

### BEACONS AND LIGHTBARS (APPLICABLE TO UK ONLY)

Every warning beacon/lightbar shall be so mounted on the vehicle that the centre of the lamp is at a height not less than 1200mm above the ground.

The light shown from the beacon/lightbar(s) shall be visible from any point at a reasonable distance from the vehicle or any trailer being drawn by it. Amber is the ONLY permitted colour in the UK unless an emergency services vehicle (blue) or registered GMC medical practitioner (green).

The beacon/lightbar base should be parallel with the ground and fitted to the flattest part of the vehicle roof, on the longitudinal centre line across the vehicle.

When fitting a beacon/lightbar to a vehicle with Radio equipment, the distance to the aerial should not be less than 500mm.

It is good practice to route product supply cables away from sensitive cables (e.g. radio, aerials, anti-lock braking systems etc). If this is not possible, cross cables at right angles.

CAUTION - Observe current consumption and choose cable, relay, switch and fuse as required.

Disconnect from battery before wiring up.

Allow 5 minutes after disconnecting supply from a Xenon beacon/lightbar before touching any wiring or internal part, high voltages are generated and stored within these units. Do not touch bulb or tube glass with bare fingers. Do not over-tighten lens fixing screws.

**Full Fitting Instructions Supplied.**

### MAGNETIC BEACONS

These magnetic beacons are intended for temporary use only. The product carries a recommended speed warning which should be observed, which has been established using a 3:1 safety factor from wind tunnel testing.

B24.00	50mph/80kph
B24.70	70mph/112kph
324.00	40mph/64kph
B334.00	50mph/80kph
374.00	40mph/64kph
394.00	50mph/80kph
394.70	70mph/112kph
274.00	40mph/64kph
B14.00.MV	50mph/80kph
284.00	50mph/80kph
B74.00	40mph/64kph
B94.70	70mph/112kph
B84.00	50mph/80kph
294.00	50mph/80kph
B64.00	50mph/80kph
B54.70	70mph/112kph

### APPROVAL DETAILS



Approved to ECE Regulation 65



Complies with SAE J845 USA Standard



Conforms with current applicable EMC (Electromagnetic Compatibility) European Standards



Conforms to Civil Aviation Authority Specification CAP168.



Complies with Low Voltage Directive 73/23/EEC

call our sales team | 01262 670161

### B20 THREE BOLT FIXING ROTATING HALOGEN BEACON

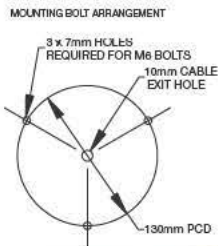
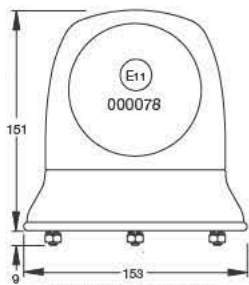
Amber, Polycarbonate Lens. Flash rate : 160 flashes per minute. Operating Temperature -30° to 50°.

#### B20.00.12V/.24V

Less bulb (.LB) versions available .12LB or .24LB. Specify voltage when ordering.

#### Spare Parts

- 10514.00 Amber Lens.
- 27031 Bulb Retaining Clip.
- H448 12V (55W) Halogen Bulb.
- H466 24V (70W) Halogen Bulb.



### 320 THREE BOLT FIXING ROTATING HALOGEN BEACON

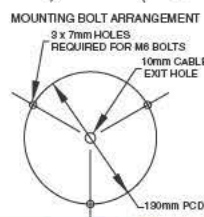
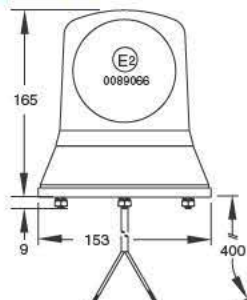
Amber, Polycarbonate Lens. Flash Rate: 160 flashes per minute. Operating Temperature -30° to 50°.

#### 320.00.LB/.12V/.24V

Specify voltage when ordering.

#### Spare Parts

- 10398.00 Amber Lens.
- 15244.00 Drive Belt.
- 20378.00 Reflector.
- 27031 Bulb Retaining Clip.
- 29211.00 PCB Assembly.
- 13204.00 Motor Module Assembly.
- H448 12V (55W) Halogen Bulb.
- H466 24V (70W) Halogen bulb.



### 370 THREE BOLT FIXING ROTATING HALOGEN BEACON

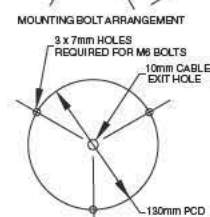
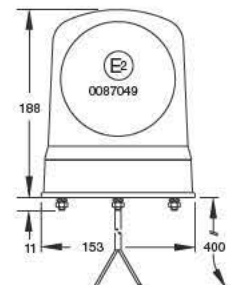
Amber, Flash Rate: 160 flashes per minute. Operating Temperature -30° to 50°

#### 370.00.LB/.12V/.24V

Specify voltage when ordering.

#### Spare Parts

- 10240 Amber Lens.
- 15214 Drive Belt.
- 27031 Bulb Retaining Clip.
- 20285.8 Reflector.
- 13162.00 Motor Module Assembly.
- H448 12V (55W) Halogen Bulb.
- H466 24V (70W) Halogen Bulb.



Please Always  
**Specify Voltage**  
When Ordering.

## 390 THREE BOLT FIXING ROTATING HALOGEN BEACON

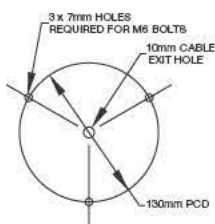
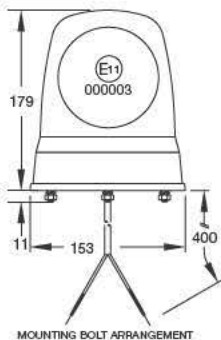
Amber. Flash Rate: 160 flashes per minute. Operating Temperature -30° to 50°.

**390.00.LB/.12V/.24V**

Specify voltage when ordering.

### Spare Parts

- 10438.00 Amber Lens.
- 15214 Drive Belt.
- 13545.00 Motor Module Assembly.
- 20378.00 Reflector.
- 27031 Bulb Retaining Clip.
- H448 12V (55W) Halogen Bulb.
- H466 24V (70W) Halogen Bulb.



## B330 THREE BOLT FIXING SINGLE CONTACT BULB BEACON

Amber. Flash Rate: 80 flashes per minute. Operating Temperature -30° - 50°

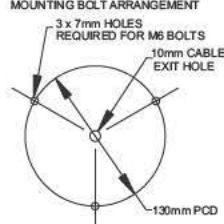
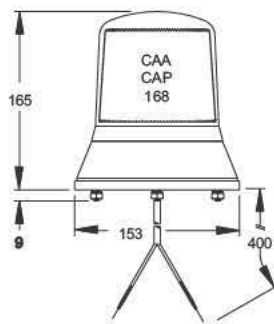
**B330.00/12V/24V**

Specify voltage when ordering. Fitting a bulb with the incorrect voltage or wattage, will damage the beacon.

Approved for airport use.

### Spare Parts

- 10318.00 Amber Lens.
- 10085 Internal Fresnel Lens.
- L2 12V 36W Bulb.
- L621 24V 36W Bulb.



## B10 THREE BOLT FIXING XENON-MULTI-VOLTAGE BEACON

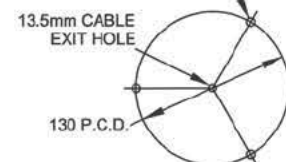
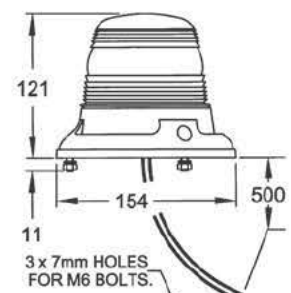
Amber. Polycarbonate Lens. Flash Rate: 75 flashes per minute. Operating Temperature -30° to 50°. Nominal power 2 watts.

**B10.00.MV**

**10V - 100V DC. 20V - 72V AC.**

### Spare Parts

- 18544.00 Amber Lens.
- 15330.01 Base Gasket.



MOUNTING BOLT ARRANGEMENT  
B1 SERIES MULTI-VOLTAGE XENON BEACON

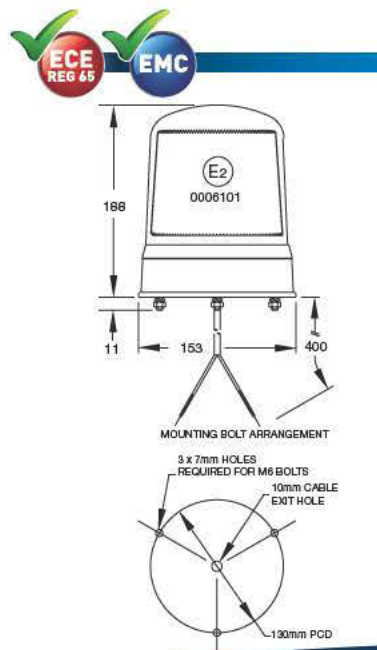
### 270 THREE BOLT FIXING XENON DOUBLE FLASH BEACON

Amber. Polycarbonate Lens. Flash Rate: 125 double flashes per minute. Operating Temperature -30° to 50°.

**270.00.DV**  
**10V - 30V DC**

**Spare Parts**

10493.00 Polycarbonate Lens.  
18541.00 Internal Fresnel Lens.  
13001.00 Xenon Module.



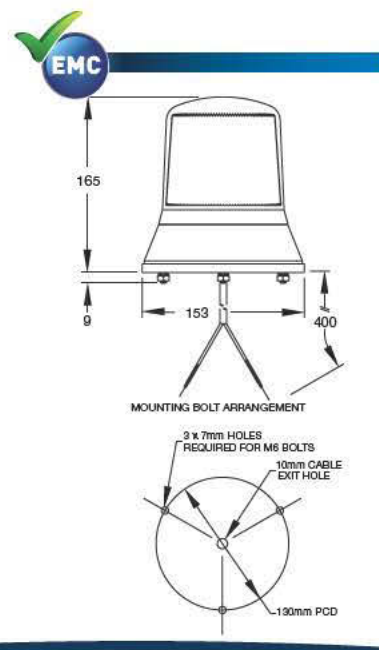
### 280 THREE BOLT FIXING XENON BEACON

Amber. Polycarbonate Lens. Flash Rate: 70 flashes per minute. Operating Temperature -30° to 50°.

**280.00.DV**  
**10V-30V DC**

**Spare Parts**

10423.00 Polycarbonate Lens.  
10085 Internal Fresnel Lens.  
13002.00 Xenon Module.



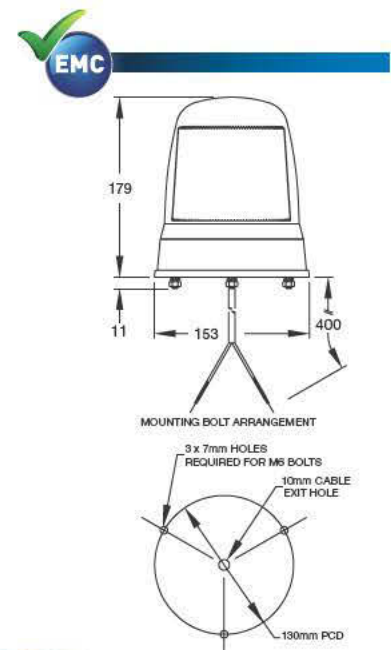
### 290 THREE BOLT FIXING XENON BEACON

Amber. Flash Rate: 70 flashes per minute. Operating Temperature -30° to 50°.

**290.00 DV**  
**10V-30V DC**

**Spare Parts**

10438.10 Lens.  
10085 Internal Fresnel Lens.  
13002.00 Xenon Module.







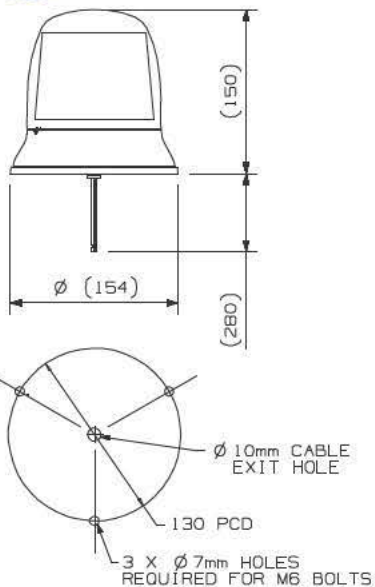
**B50 THREE BOLT FIXING LED BEACON**

Amber. Polycarbonate Lens. Flash Rate: 70 groups of 5 flashes per minute. Operating Temperature -30° to 50°.

**B50.00 LMV**  
**10V. 49V DC**

**Spare Parts**

- 10514.04 Amber Lens.
- 13605.50 Led Module.
- 10085 Internal Fresnel Lens.



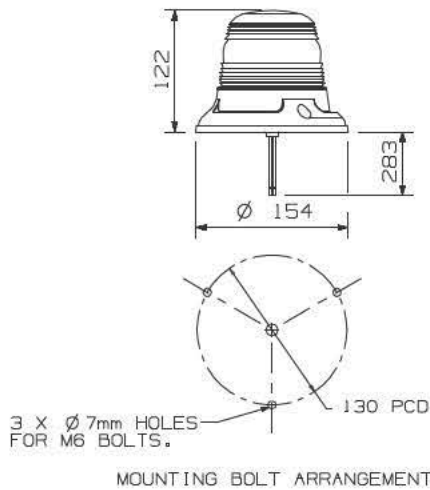
**B60 THREE BOLT FIXING LED BEACON**

Amber. Polycarbonate Lens. Flash Rate: 70 groups of 5 flashes per minute. Operating Temperature -30° to 50°.

**B60.00 LMV**  
**10V. 49V DC**

**Spare Parts**

- 10503.00 Amber Lens.
- 13604.50 Led Module.
- 15330.01 Base Gasket.



For more detailed information or advice on any Britax product please call our **Technical Services Department.**



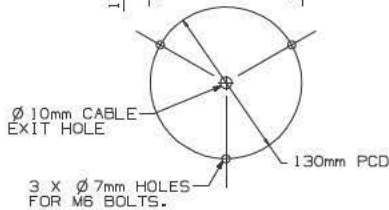
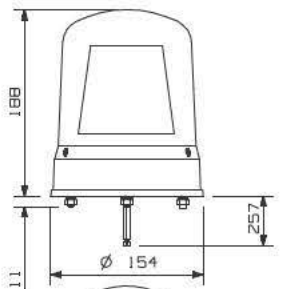
### B70 THREE BOLT FIXING LED BEACON

Amber. Flash rate: 70 groups of 5 flashes per minute. Operating temperature -30° to 50°.

**B70.00.LMV**  
10V-49V DC

**Spare Parts**

- 10422.00 Amber Lens.
- 13606.50 Led Module.
- 10085 Internal Fresnel Lens.



MOUNTING BOLT ARRANGEMENT

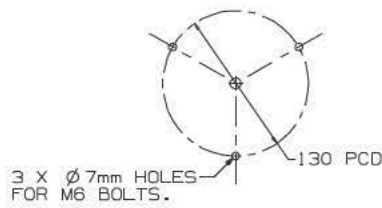
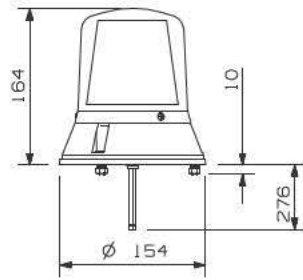
### B80 THREE BOLT FIXING LED BEACON

Amber. Polycarbonate Lens. Flash rate 70 groups of 5 flashes per minute. Operating temperature: -30° to 50°.

**B80.00.LMV**  
10V-49V DC

**Spare Parts**

- 10423.00 Amber Lens.
- 13606.50 Led Module.
- 10085 Internal Fresnel Lens.



MOUNTING BOLT ARRANGEMENT

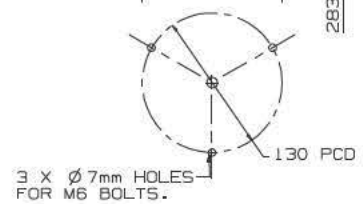
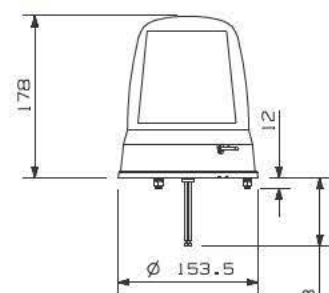
### B90 THREE BOLT FIXING LED BEACON

Amber. Flash rate 70 groups of 5 flashes per minute. Operating temperature: -30° to 50°.

**B90.00.LMV**  
10V-49V DC

**Spare Parts**

- 10438.10 Amber Lens.
- 13606.50 Led Module.
- 10085 Internal Fresnel Lens.



MOUNTING BOLT ARRANGEMENT

## B21 SINGLE BOLT FIXING ROTATING HALOGEN BEACON

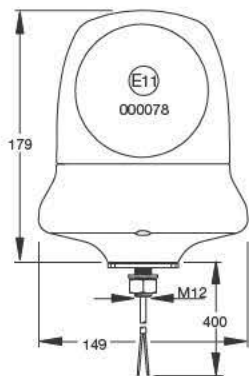
Amber. Polycarbonate Lens. Flash Rate: 160 flashes per minute. Operating Temperature -30° to 50°.

### B21.00/.12V/.24V

Less Bulb (.LB) Versions are available .12LB or .24LB. Specify voltage when ordering.

#### Spare Parts

10514.00 Amber Lens.  
27031 Bulb Retaining Clip.  
H448 12V (55W) Halogen Bulb.  
H466 24V (70W) Halogen Bulb.



## 321 SINGLE BOLT FIXING ROTATING HALOGEN BEACON

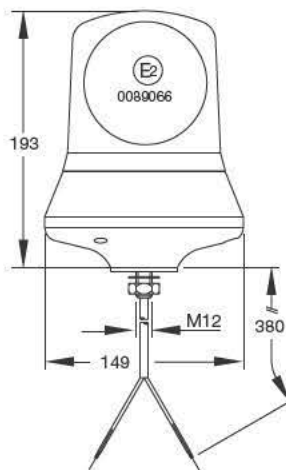
Amber. Polycarbonate Lens. Flash Rate: 160 flashes per minute. Operating Temperature -30° to 50°.

### 321.00.LB/.12V/.24V

Specify voltage when ordering.

#### Spare Parts

10398.00 Amber Lens.  
15244.00 Drive Belt.  
20378.00 Reflector.  
27031 Bulb Retaining Clip.  
29211.00 PCB Assembly.  
13204.00 Motor Module Assembly.  
H448 12V (55W) Halogen Bulb.  
H466 24V (70W) Halogen Bulb.



## 371 SINGLE BOLT FIXING ROTATING HALOGEN BEACON

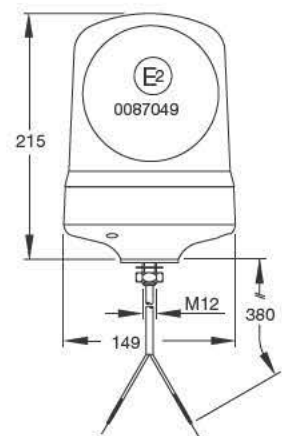
Amber. Flash Rate: 160 flashes per minute. Operating Temperature -30° to 50°.

### 371.00.LB/.12V/.24V

Specify voltage when ordering.

#### Spare Parts

10240 Amber Lens.  
15214 Drive Belt.  
27031 Bulb Retaining Clip.  
20285.8 Reflector.  
13162.00 Motor Module Assembly.  
H448 12V (55W) Halogen Bulb.  
H466 24V (70W) Halogen Bulb.



### 391 SINGLE BOLT FIXING ROTATING HALOGEN BEACON

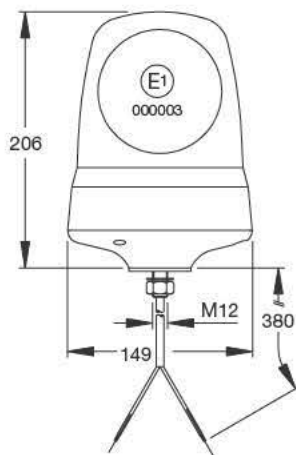
Amber. Flash Rate: 160 flashes per minute. Operating Temperature -30° to 50°.

**391.00.LB/.12V/.24V**

Specify voltage when ordering.

#### Spare Parts

- 10438.00 Amber Lens.
- 15214 Drive Belt.
- 13545.00 Motor Module Assembly.
- 20378.00 Reflector.
- 27031 Bulb Retaining Clip.
- H448 12V (55W) Halogen Bulb.
- H466 24V (70W) Halogen Bulb.



### B331 SINGLE BOLT FIXING/ SINGLE CONTACT BULB

Amber. Flash Rate: 80 flashes per minute. Operating Temperature -30° to 50°.

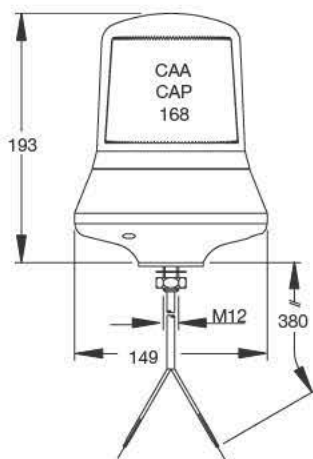
**B331.00.12V/.24V**

Specify voltage when ordering. Fitting a bulb with the incorrect voltage or wattage will damage the Beacon.

Approved for airport use.

#### Spare Parts

- 10318.00 Amber Lens.
- 10085 Internal Fresnel Lens.
- L2 12V 36W Bulb.
- L621 24V 36W Bulb.



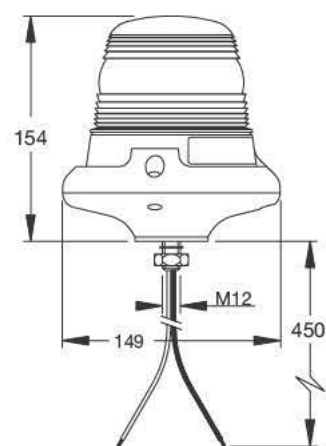
### B11 SINGLE BOLT FIXING XENON MULTI-VOLTAGE BEACON

Amber. Polycarbonate Lens. Flash Rate: 75 flashes per minute. Operating Temperature -30° to 50°. Nominal Power 2 watts.

**B11.00.MV  
10V-100V DC. 20V-72V AC**

#### Spare Parts

- 18544.00 Amber Lens.



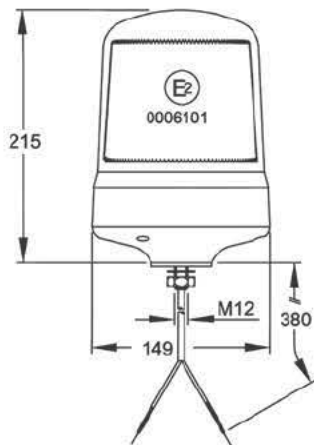
## 271 SINGLE BOLT FIXING XENON DOUBLE FLASH BEACON

Amber. Polycarbonate Lens. Flash Rate: 125 double flashes per minute. Operating Temperature -30° to 50°.

**271.00**  
**10V-30V DC**

### Spare Parts

10493.00 Polycarbonate Lens.  
18541.00 Internal Fresnel Lens.  
13001.00 Xenon Module.



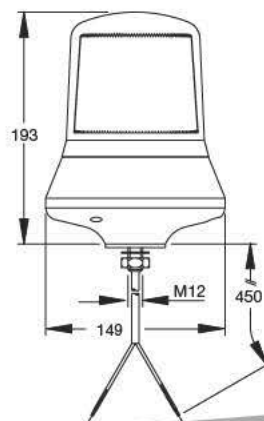
## 281 SINGLE BOLT FIXING XENON BEACON

Amber. Polycarbonate Lens. Flash Rate: 70 Flashes per minute. Operating Temperature -30° to 50°.

**281.00.DV**  
**10V-30V DC**

### Spare Parts

10423.00 Polycarbonate Lens.  
10085 Internal Fresnel Lens.  
13002.00 Xenon Module.



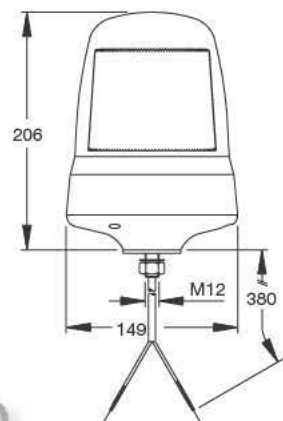
## 291 SINGLE BOLT FIXING XENON BEACON

Amber. Flash Rate: 70 flashes per minute. Operating Temperature -30° to 50°.

**291.00.DV**  
**10V-30V DC**

### Spare Parts

10438.10 Lens.  
10085 Internal Fresnel Lens.  
13002.00 Xenon Module.



For more detailed information or advice on any Britax product please call our **Technical Services Department.**



### B51 SINGLE BOLT FIXING LED BEACON

Amber. Polycarbonate Lens. Flash Rate: 70 groups of 5 flashes per minute. Operating Temperature -30° to 50°.

**B51.00.LMV**  
**10V-49V DC**

**Spare Parts**

- 10514.04 Amber Lens.
- 13605.50 Led Module.
- 10085 Internal Fresnel Lens.



### B61 SINGLE BOLT FIXING LED BEACON

Amber. Polycarbonate Lens. Flash Rate: 70 groups of 5 flashes per minute. Operating Temperature -30° to 50°.

**B61.00.LMV**  
**10V-49V DC**

**Spare Parts**

- 10503.00 Amber Lens.
- 13604.50 Led Module.



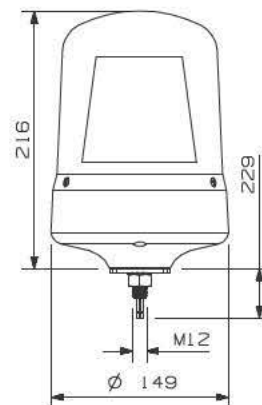
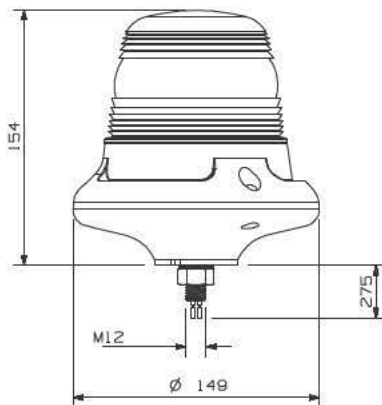
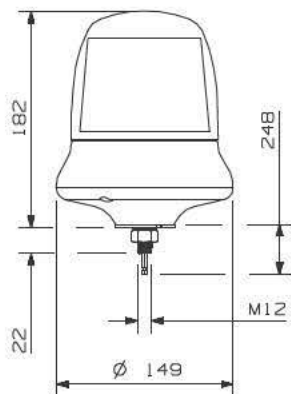
### B71 SINGLE BOLT FIXING LED BEACON

Amber. Flash rate: 70 groups of 5 flashes per minute. Operating temperature -30° to 50°.

**B71.00.LMV**  
**10V-49V DC**

**Spare Parts**

- 10422.00 Polycarbonate Lens.
- 10085 Internal Fresnel Lens.
- 13606.50 Led Module.



**NEW**

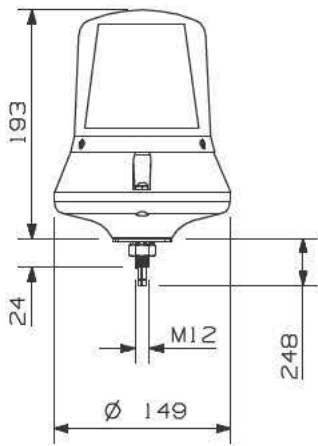
## B81 SINGLE BOLT FIXING LED BEACON

Amber. Polycarbonate Lens. Flash rate 70 groups of 5 flashes per minute. Operating temperature: -30° to 50°.

**B81.00.LMV**  
**10V-49V DC**

### Spare Parts

10423.00 Amber Lens.  
13606.50 Led Module.  
10085 Internal Fresnel Lens.



**NEW**

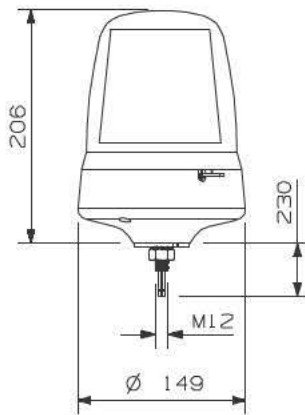
## B91 SINGLE BOLT FIXING LED BEACON

Amber. Flash rate 70 groups of 5 flashes per minute. Operating temperature: -30° to 50°.

**B91.00.LMV**  
**10V-49V DC**

### Spare Parts

10438.10 Amber Lens.  
13606.50 Led Module.  
10085 Internal Fresnel Lens.



Other options are **available** subject to minimum order quantities, including:-

- \* **blue or red lenses**
- \* **longer cables**
- \* **specific connectors**

### B22 PLUG IN ROTATING HALOGEN BEACON

Amber. Polycarbonate Lens. Flash Rate: 160 flashes per minute. Operating Temperature -30° to 50°.

**B22.00/.12V/.24V**

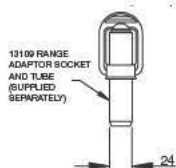
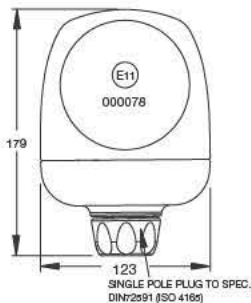
Less bulb (.LB) versions available .12LB or .24LB

Specify voltage when ordering.

Use with 13109 series fixing socket (not supplied with beacon) see page 29.

#### Spare Parts

10514.00 Amber Lens.  
27031 Bulb Retaining Clip.  
H448 12V (55W) Halogen Bulb.  
H466 24V (70W) Halogen Bulb.



### 322 PLUG IN ROTATING HALOGEN BEACON

Amber. Polycarbonate Lens. Flash Rate: 160 flashes per minute. Operating Temperature -30° to 50°.

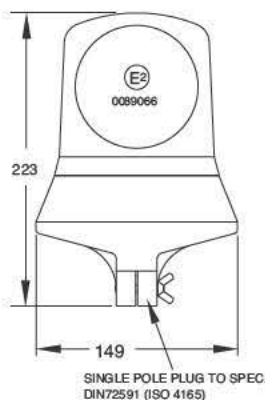
**322.00.LB/.12V/.24V**

Specify voltage when ordering.

Use with 13109 series fixing socket (not supplied with beacon) see page 29.

#### Spare Parts

10398.00 Amber lens.  
15244.00 Drive belt.  
20378.00 Reflector.  
27031 Bulb Retaining Clip.  
29211.00 PCB Assembly.  
13204.00 Motor Module Assembly.  
H448 12V (55W) Halogen Bulb.  
H466 24V (70W) Halogen bulb.



### 372 PLUG IN ROTATING HALOGEN BEACON

Amber. Flash Rate: 160 flashes per minute. Operating Temperature -30° to 50°.

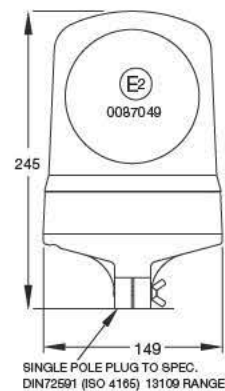
**372.00.LB/.12V/.24V**

Specify voltage when ordering.

Use with 13109 series fixing socket (not supplied with beacon) see page 29.

#### Spare Parts

10240 Amber Lens.  
15214 Drive Belt.  
27031 Retaining Clip.  
20285.8 Reflector.  
13162.00 Motor Module.  
H448 12V(55W) Halogen Bulb.  
H466 24V(70W) Halogen Bulb.



**For Plug-In Beacons.**

Please use **13109** series mounting stems.

**See page 29.**



For more detailed information or advice on any Britax product please call our **Technical Services Department.**

## 392 PLUG IN ROTATING HALOGEN BEACON

Amber. Flash Rate: 160 flashes per minute. Operating Temperature -30° to 50°.

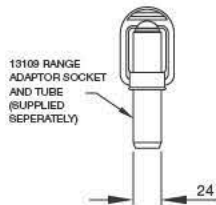
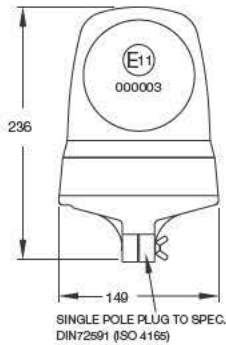
**392.00.LB/.12V/.24V**

Specify voltage when ordering.

Use with 13109 series fixing socket (not supplied with beacon) see page 29.

### Spare Parts

- 10438.00 Amber Lens.
- 15214 Drive Belt.
- 13545.00 Motor Module Assembly.
- 20378.00 Reflector.
- 27031 Bulb Retaining Clip.
- H448 12V (55W) Halogen Bulb.
- H446 24V (70W) Halogen Bulb.



## 272 PLUG IN XENON DOUBLE FLASH BEACON

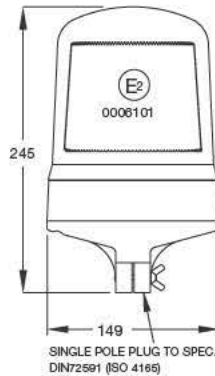
Amber. Polycarbonate Lens. Flash rate 125 double flashes per minute. Operating temperature -30° to 50°.

**272.00. 10V-30V DC**

Use with 13109 series fixing socket (not supplied with beacon) see page 29.

### Spare Parts

- 10493.00 Polycarbonate Lens.
- 18541.00 Internal Fresnel Lens.
- 13001.00 Xenon Module.



## 282 PLUG IN XENON BEACON

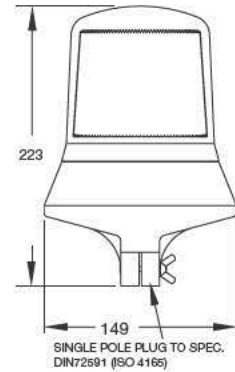
Amber. Polycarbonate Lens. Flash rate 70 flashes per minute. Operating temperature -30° to 50°.

**282.00.DV 10V-30V DC**

Use with 13109 series fixing socket (not supplied with beacon) see page 29.

### Spare Parts

- 10423.00 Polycarbonate Lens.
- 10085 Internal Fresnel Lens.
- 13002.00 Xenon Module.



### 292 PLUG-IN XENON BEACON

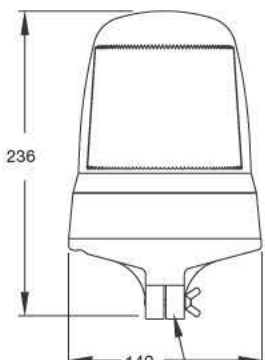
Amber. Flash rate 70 flashes per minute. Operating temperature -30° to 50°.

**292.00.DV**  
**10V-30V DC**

Use with 13109 series fixing socket (not supplied with beacon) see page 29.

**Spare Parts**

- 10438.10 Lens.
- 10085 Internal Fresnel Lens.
- 13002.00 Xenon Module.



SINGLE POLE PLUG TO SPEC. DIN72591 (ISO 4165)

### B52 PLUG-IN LED BEACON

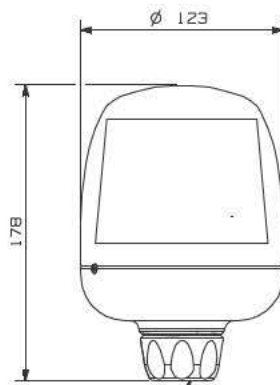
Amber. Polycarbonate Lens. Flash Rate: 70 groups of 5 flashes per minute. Operating Temperature -30° to 50°.

**B52.00.LMV**  
**10V-49V DC**

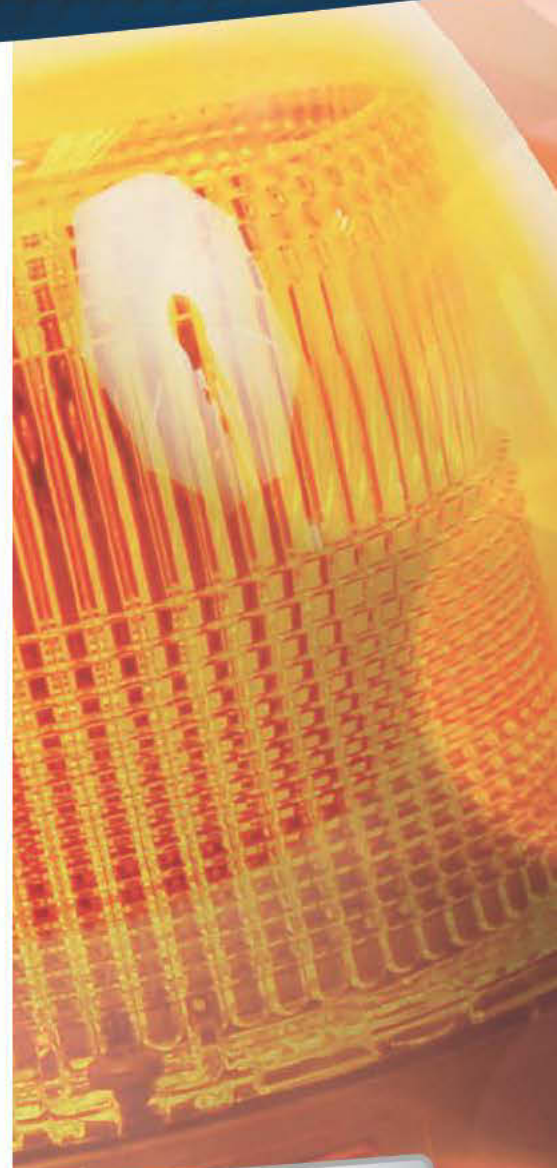
Use with 13109 series fixing socket (not supplied with beacon) see page 29.

**Spare Parts**

- 10514.04 Amber Lens.
- 13605.51 Led Module.
- 10085 Internal Fresnel Lens.



PLUG-IN ACCORDING TO DIN 14620 NOTE 120



Other options are **available** subject to minimum order quantities, including:-

- \* blue or red lenses
- \* longer cables
- \* specific connectors

**NEW**

## B72 PLUG-IN LED BEACON

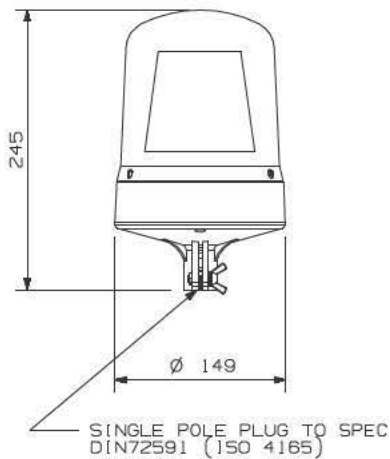
Amber. Polycarbonate Lens. Flash rate 70 groups of 5 flashes per minute. Operating temperature -30° to 50°.

**B72.00.LMV**  
**10V-49V DC**  
**10V-30V DC**

Use with 13109 series fixing socket (not supplied with beacon) see page 29

### Spare Parts

10422.00 Amber Lens.  
 13606.50 Led Module.  
 10085 Internal Fresnel Lens.



**NEW**

## B82 PLUG-IN LED BEACON

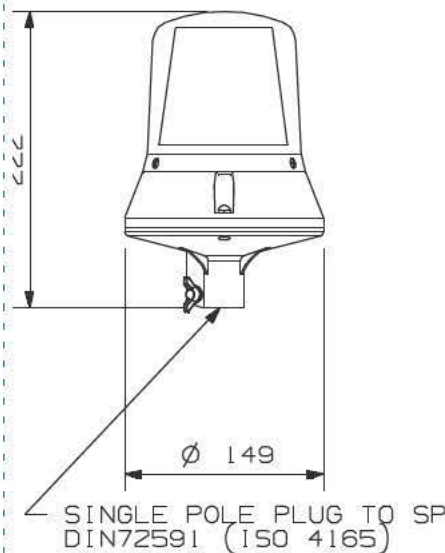
Amber. Polycarbonate Lens. Flash rate 70 groups of 5 flashes per minute. Operating temperature: -30° to 50°.

**B82.00.LMV**  
**10V-49V DC**

Use with 13109 series fixing socket (not supplied with beacon) see page 29.

### Spare Parts

10423.00 Amber Lens.  
 13606.50 LED Module.  
 10085 Internal Fresnel Lens.



**NEW**

## B92 PLUG-IN LED BEACON

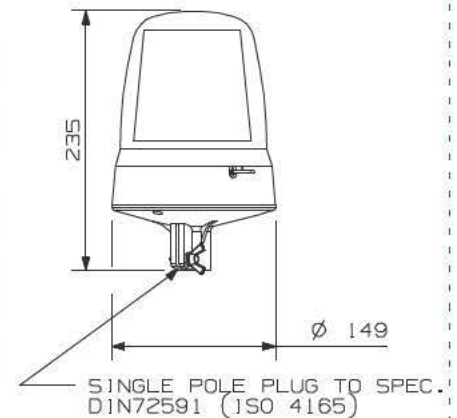
Amber. Flash rate 70 groups of 5 flashes per minute. Operating temperature: -30° to 50°.

**B92.00.LMV**  
**10V-49V DC**

Use with 13109 series fixing socket (not supplied with beacon) see page 29.

### Spare Parts

10438.10 Amber Lens.  
 13606.50 LED Module.  
 10085 Internal Fresnel Lens.



### B24 MAGNETIC (50mph/80kph) ROTATING HALOGEN BEACON

Amber. Polycarbonate Lens. Flash Rate: 160 flashes per minute. Operating Temperature -30° to 50°.

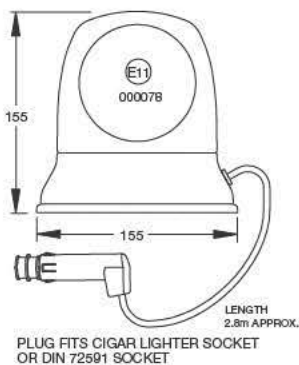
**B24.00.12V/.24V**

Less bulb (.LB) versions available .12LB or .24LB. Specify voltage when ordering.

For operating and fitting details see page 5.

#### Spare Parts

- 10514.00 Amber Lens.
- 27031 Bulb Retaining Clip.
- 14218.00 Single Pole Plug.
- H448 12V (55W) Halogen Bulb.
- H466 24V(70W) Halogen Bulb



### B24 MAGNETIC (70mph/112kph) ROTATING HALOGEN BEACON

Amber. Polycarbonate Lens. Flash Rate: 160 flashes per minute. Operating Temperature -30° to 50°.

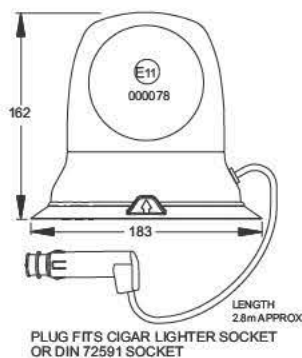
**B24.70.12V/.24V**

Less bulb (.LB) versions available .12LB or .24LB. Specify voltage when ordering.

For operating and fitting details see page 5.

#### Spare Parts

- 10514.00 Amber Lens.
- 27031 Bulb Retaining Clip.
- 14218.00 Single Pole Plug.
- H448 12V (55W) Halogen Bulb.
- H466 24V(70W) Halogen Bulb



### 324 MAGNETIC (50mph/80kph) ROTATING HALOGEN BEACON

Amber. Polycarbonate Lens. Flash Rate: 160 flashes per minute. Operating Temperature -30° to 50°.

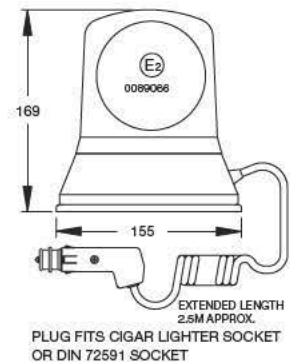
**324.00.LB/.12V/.24V**

For operating and fitting details see page 5.

Specify voltage when ordering.

#### Spare Parts

- 10398.00 Amber Lens.
- 15244.00 Drive Belt.
- 20378.00 Reflector.
- 27031 Bulb Retaining Clip.
- 29211.00 Pcb Assembly.
- 13204.00 Motor Module Assembly.
- H448 12V (55W) Halogen Bulb.
- H466 24V (70W) Halogen Bulb.
- 14218.00 Single Pole Plug.



## 374 MAGNETIC (40mph/64kph) ROTATING HALOGEN BEACON

Amber. Flash Rate: 160 flashes per minute.  
Operating Temperature -30° to 50°.

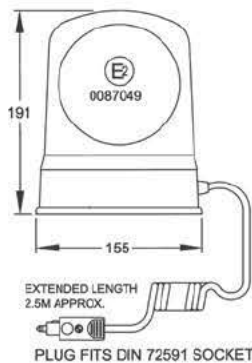
**374.00.LB/.12V/.24V**

For operating and fitting details see page 5.

Specify voltage when ordering.

### Spare Parts

- 10240 Amber Lens.
- 15214 Drive Belt.
- 27031 Bulb Retaining Clip.
- 20285.8 Reflector.
- 13162.00 Motor Module Assembly.
- H448 12V (55W) Halogen Bulb.
- H466 24V (70W) Halogen Bulb.
- 14200.00 Single Pole Plug.



## 394 MAGNETIC (50mph/80kph) ROTATING HALOGEN BEACON

Amber. Flash Rate: 160 flashes per minute.  
Operating Temperature -30° to 50°.

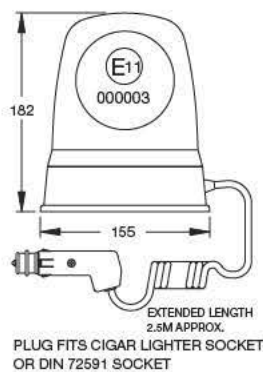
**394.00.LB/.12V/.24V**

For operating and fitting details see page 5.

Specify voltage when ordering.

### Spare Parts

- 10438.00 Amber Lens.
- 15214 Drive Belt.
- 13545.00 Motor Module Assembly.
- 20378.00 Reflector.
- 27031 Bulb Retaining Clip.
- 14218.00 Single Pole Plug.
- H448 12V (55W) Halogen Bulb.
- H446 24V (70W) Halogen Bulb.



## 394 MAGNETIC (70mph/112kph) ROTATING HALOGEN BEACON

Amber. Flash Rate: 160 flashes per minute.  
Operating Temperature -30° to 50°.

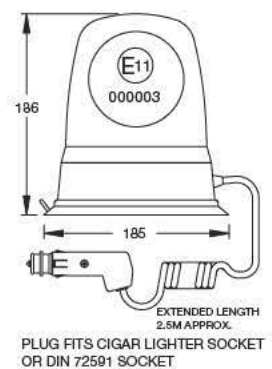
**394.70.LB/.12V/.24V**

For operating and fitting details see page 5.

Specify voltage when ordering.

### Spare Parts

- 10438.00 Amber Lens.
- 15214 Drive Belt.
- 13545.00 Motor Module Assembly.
- 20378.00 Reflector.
- 27031 Bulb Retaining Clip.
- H448 12V (55W) Halogen Bulb.
- H446 24V (70W) Halogen Bulb.
- 14218.00 Single Pole Plug.



**For Magnetic  
Beacons.**

Operating and fitting details.

**See page 5.**

### B334 MAGNETIC (50mph/80kph) SINGLE CONTACT BULB BEACON

Amber. Flash Rate: 80 flashes per minute. Operating Temperature -30° to 50°.

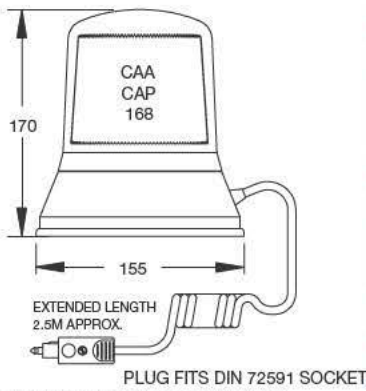
**B334.00.12V/24V**

For operating and fitting details see page 5.

Specify voltage when ordering. Fitting a bulb with incorrect voltage or wattage will damage the beacon.

#### Spare Parts

- 10318.00 Amber Lens.
- 10085 Internal Fresnel Lens.
- L2 12V 36W Bulb.
- L621 24V 36W Bulb.
- 14218.00 Single Pole Plug.



### B14 MAGNETIC XENON (50mph/80kph) MULTI-VOLTAGE BEACON

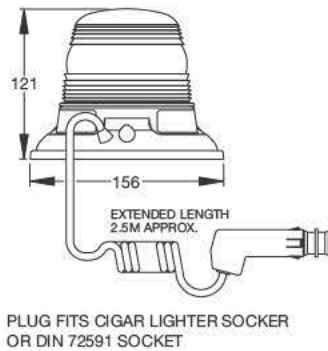
Amber. Polycarbonate Lens. Flash rate 75 flashes per minute. Operating temperature -30° to 50°. Nominal power 2 watts.

**B14.00.MV**  
**10V-100V DC 20V-72V AC**

For operating and fitting details see page 5.

#### Spare Parts

- 18544.00 Amber Lens.
- 14218.00 Single Pole Plug.



### 274 MAGNETIC (40mph/64kph) XENON DOUBLE FLASH BEACON

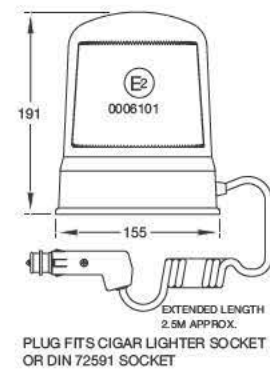
Amber. Polycarbonate Lens. Flash rate 125 double flashes per minute. Operating temperature -30° to 50°.

**274.00.DV**  
**10V-30V DC**

For operating and fitting details see page 5.

#### Spare Parts

- 10493.00 Amber Lens.
- 18541.00 Internal Fresnel Lens.
- 13001.00 Xenon Module.
- 14218.00 Single Pole Plug.



For more detailed information or advice on any Britax product please call our **Technical Services Department.**



## 284 MAGNETIC (50mph/80kph) XENON BEACON

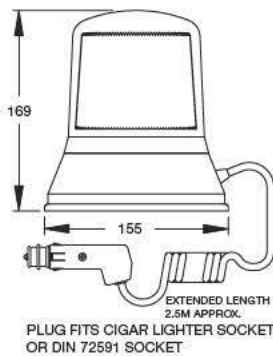
Amber. Polycarbonate Lens. Flash rate 70 flashes per minute. Operating temperature -30° to 50°

**284.00.DV**  
**10V-30V DC**

For operating and fitting details see page 5.

### Spare Parts

- 10423.00 Amber Lens.
- 10085 Internal Fresnel Lens.
- 13002.00 Xenon module.
- 14218.00 Single pole plug.



## 294 MAGNETIC (50mph/80kph) XENON BEACON

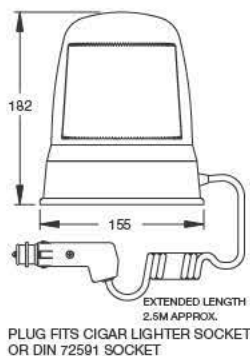
Amber. Flash rate 70 flashes per minute. Operating temperature -30° to 50°

**294.00.DV**  
**10V-30V DC**

For operating and fitting details see page 5.

### Spare Parts

- 10438.10 Amber lens.
- 10085 Internal Fresnel Lens.
- 13002.00 Xenon module.
- 14218.00 Single pole plug.



## B54 MAGNETIC (70mph/112kph) LED BEACON

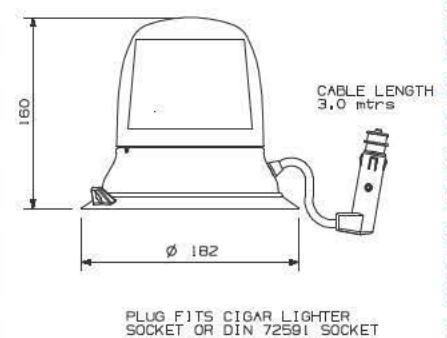
Amber. Polycarbonate Lens. Flash rate 70 groups of 5 flashes per minute. Operating temperature -30° to 50°.

**B54.70.LMV**  
**10V-49V DC**

For operating and fitting details see page 5.

### Spare Parts

- 10514.04 Amber Lens.
- 13605.53 Led Module.
- 14218.00 Single Pole Plug.
- 10085 Internal Fresnel Lens.





### B64 MAGNETIC (50mph/80kph) LED BEACON

Amber. Polycarbonate Lens. Flash Rate: 70 groups of 5 flashes per minute. Operating Temperature -20° to 50°.

**B64.00 LMV**  
**10V/49V DC**

Reverse polarity protected. For operating and fitting details see page 5.

#### Spare Parts

- 10503.00 Amber Lens.
- 13604.51 Led Module.
- 14218.00 Single Pole Plug.



### B74 MAGNETIC (40mph/64kph) LED BEACON

Amber. Flash rate: 70 groups of 5 flashes per minute. Operating temperature -30° to 50°.

**B74.00.LMV**  
**10V-49V DC**

For operating and fitting details see page 5.

#### Spare Parts

- 14218.00 Single Pole Plug.
- 13606.51 Led Module.
- 10422.00 Amber Lens.
- 10085 Internal Fresnel Lens.



### B84 MAGNETIC (50mph/80kph) LED BEACON

Amber. Polycarbonate Lens. Flash rate 70 groups of 5 flashes per minute. Operating temperature -30° to 50°.

**B84.00.LMV**  
**10V-49V DC**

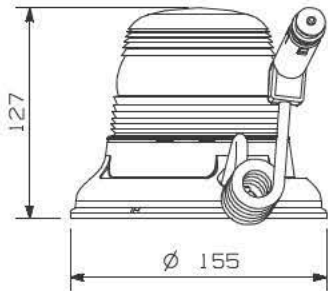
For operating and fitting details see page 5.

#### Spare Parts

- 10423.00 Amber Lens.
- 13606.51 Led Module.
- 14218.00 Single Pole Plug.
- 10085 Internal Fresnel Lens.

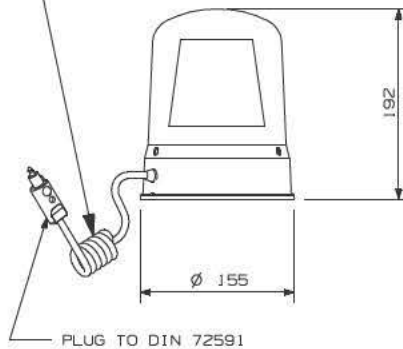


EXTENDED LENGTH 2.5M



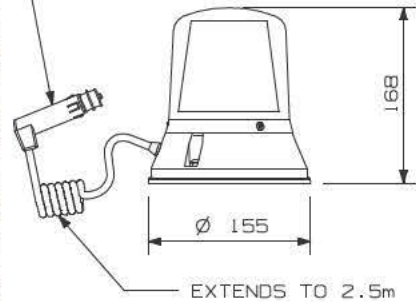
PLUG FITS CIGAR LIGHTER SOCKET OR DIN72591 SOCKET

EXTENDED LENGTH 2.5m



PLUG TO DIN 72591

PLUG FITS CIGAR LIGHTER SOCKET OR DIN 72591 SOCKET



EXTENDS TO 2.5m





## B94 MAGNETIC (70mph/112kph) LED BEACON

Amber. Flash rate 70 groups of 5 flashes per minute. Operating temperature -30° to 50°.

**B94.70.LMV**  
**10V-49V DC**

For operating and fitting details see page 5.

### Spare Parts

- 10438.10 Amber Lens.
- 13606.51 Led Module.
- 14218.00 Single Pole Plug.
- 10085 Internal Fresnel Lens.



## B25 PLUG-IN FLEXI BASE ROTATING HALOGEN BEACON

Amber. Polycarbonate Lens. Flash rate 160 flashes per minute. Operating temperature -30° to 50°.

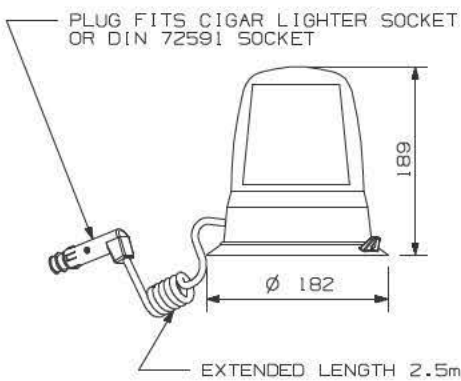
**B25.12V/.24V**

Use with 13109 series fixing socket (not supplied with beacon) see page 29.

Specify voltage when ordering. Less bulb (.LB) versions available .12LB or .24LB

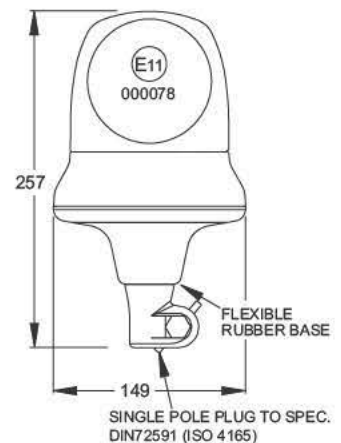
### Spare Parts

- 10541.00 Amber Lens.
- 27031 Bulb Retaining Clip.
- H448 12V (55W) Halogen Bulb.
- H466 24V (70W) Halogen Bulb.



All Magnetic Beacons require a **mating single pole socket**, see **Electrical Equipment** Section **page 86.**

**B24, 324, 394, B14, 284, 394** series beacons include a vehicle **cigar lighter adaptor.**



### 395 PLUG-IN FLEXI BASE ROTATING HALOGEN BEACON

Amber. Flash Rate: 160 flashes per minute. Operating Temperature -30° to 50°.

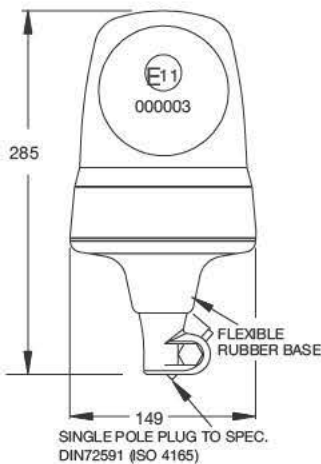
**395.100.LB.PC/.12V.PC/.24V.PC**

Use with 13109 series fixing socket (not supplied with beacon) see page 29.

Specify voltage when ordering.

#### Spare Parts

- 10438.00 Amber Lens.
- 15214 Drive Belt.
- 13545.00 Motor Module Assembly.
- 20378.00 Reflector.
- 27031 Bulb Retaining Clip.
- H448 12V (55W) Halogen Bulb.
- H446 24V (70W) Halogen Bulb.



### B15 PLUG-IN FLEXI BASE XENON MULTI-VOLTAGE BEACON

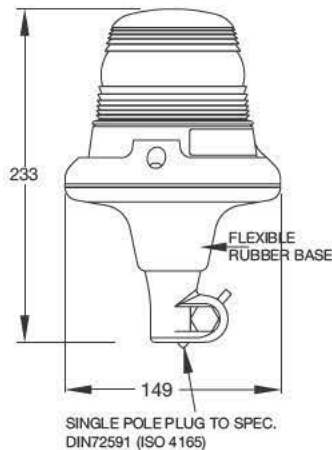
Amber. Polycarbonate Lens. Flash rate 75 flashes per minute. Operating temperature -30° to 50°. Nominal power 2 watts.

**B15.00**  
**10V-100V DC 20V-72V AC**

Use with 13109 series fixing socket (not supplied with beacon) see page 29.

#### Spare Parts

- 18544.00 Amber Lens.



### 295 PLUG-IN FLEXI BASE XENON BEACON

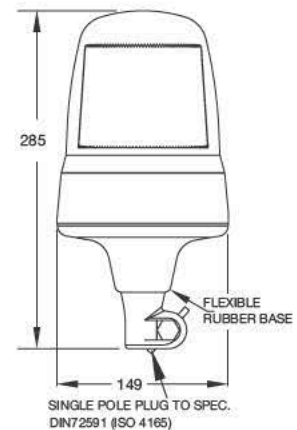
Amber. Flash rate 70 flashes per minute. Operating temperature -30° to 50°.

**295.00.DV.PC**  
**10V-30V DC**

Use with 13109 series fixing socket (not supplied with beacon) see page 29.

#### Spare Parts

- 10438.10 Lens.
- 10085 Internal Fresnel Lens.
- 13002.00 Xenon Module.





## B55 FLEXI BASE PLUG IN LED BEACON

Amber. Polycarbonate Lens. Flash rate 70 groups of 5 flashes per minute. Operating temperature: -30° to 50°.

**B55.00.LMV**  
10V - 49V DC

Use with 13109 series fixing socket (not supplied with beacon) see page 29.

### Spare Parts

- 10514.04 Amber Lens.
- 13605.52 Led Module.
- 10085 Internal Fresnel Lens.



## B65 PLUG-IN FLEXI BASE LED BEACON

Amber. Polycarbonate Lens. Flash Rate: 70 groups of 5 flashes per minute. Operating temperature -30° to 50°.

**B65.00.LMV**  
10V. 49V DC

Use with 13109 series fixing socket (not supplied with beacon) see page 29.

### Spare Parts

- 10503.00 Amber Lens.
- 13604.52 LED Module.



## B95 PLUG-IN FLEXI BASE LED BEACON

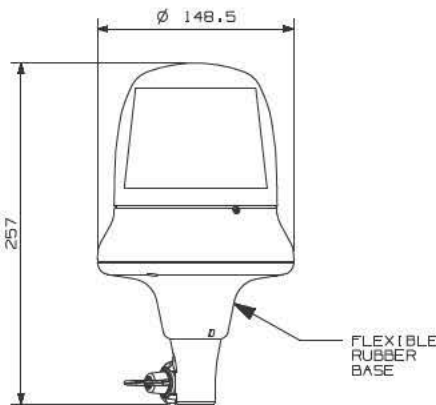
Amber. Flash rate 70 groups of 5 flashes per minute. Operating temperature -30° to 50°.

**B95.00.LMV**  
10V-49V DC

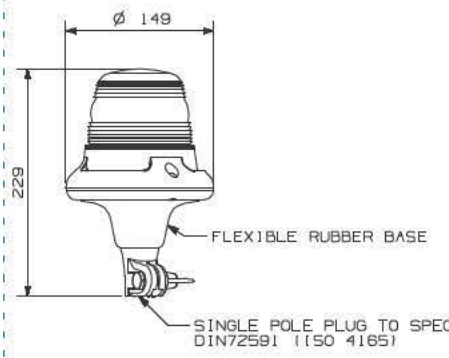
Use with 13109 series fixing socket (not supplied with beacon) see page 29.

### Spare Parts

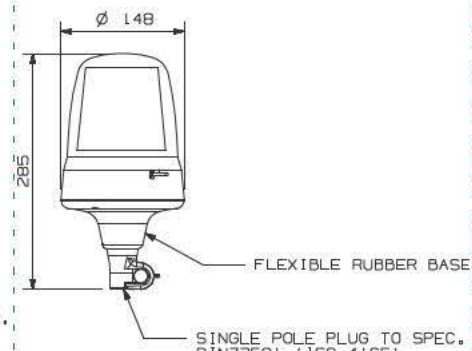
- 10438.13 Amber Lens.
- 13606.52 Led Module.
- 10085 Internal Fresnel Lens.



SINGLE POLE PLUG TO SPEC. DIN72591 (ISO 4165)



SINGLE POLE PLUG TO SPEC. DIN72591 (ISO 4165)



SINGLE POLE PLUG TO SPEC. DIN72591 (ISO 4165)

For more detailed information or advice on any Britax product please call our **Technical Services Department.**



### B27 FLEXI-BASE SINGLE BOLT ROTATING HALOGEN BEACON

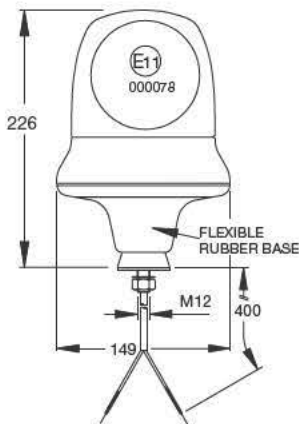
Amber. Polycarbonate Lens. Flash Rate: 160 flashes per minute. Operating Temperature -30° to 50°.

#### B27.00.12V/.24V

Less bulb (.LB) versions available .12LB or .24LB. Specify voltage when ordering.

#### Spare Parts

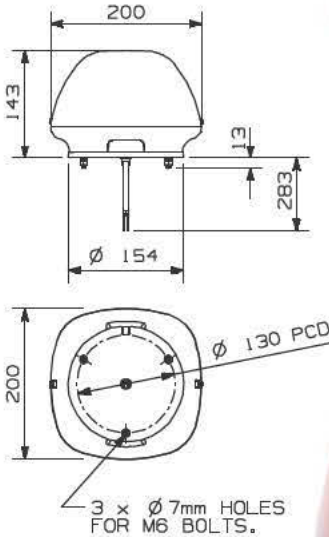
- 10541.00 Amber Lens.
- 27031 Bulb Retaining Clip.
- H448 12V (55W) Halogen Bulb.
- H466 24V (70W) Halogen Bulb



## THE NEW STYLE BEACON

### B100 SERIES BEACON

- An all new style of Bolt on or Magnetic fix beacon
- Available with rotating (Reg 65), xenon (non Reg 65) or LED (non Reg 65) modules
- A stylish and practical warning product designed to compliment modern vehicle styling



ROTATING MODULE		
B100.00.LB	3 Bolt fixing	Supplied less bulb suitable for 12V or 24V
B104.70.LB	Magnetic Fixing	
LED MODULE (NON REG 65)		
B150.00.LMV	3 Bolt fixing	Multi - Voltage 9V - 36V
B154.70.LMV	Magnetic Fixing	
XENON MODULE (NON REG 65)		
B180.00.DV	3 Bolt fixing	Dual Voltage 12V or 24V
B184.70.DV	Magnetic Fixing	



## 13109.01 ADAPTOR SOCKET & TUBES

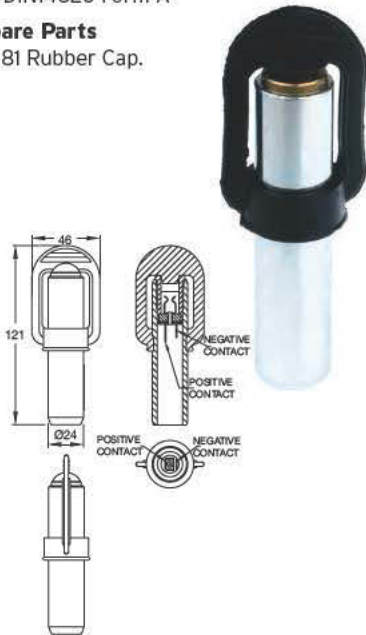
Socket fitted with 2 x 6.3mm male blade terminals.

**13109.01**

To DIN14620 Form A

**Spare Parts**

15181 Rubber Cap.



## 13109.20 ADAPTOR SOCKET & TUBES

Socket fitted with 2 x 6.3mm male blade terminals. Fitted to vehicle horizontal surface by means of clamping through a 25mm diameter hole. Maximum clamping thickness 17mm

**13109.20**

To DIN14620 Form A

**Spare Parts**

15181 Rubber Cap.



## 13109.30 ADAPTOR SOCKET & TUBES

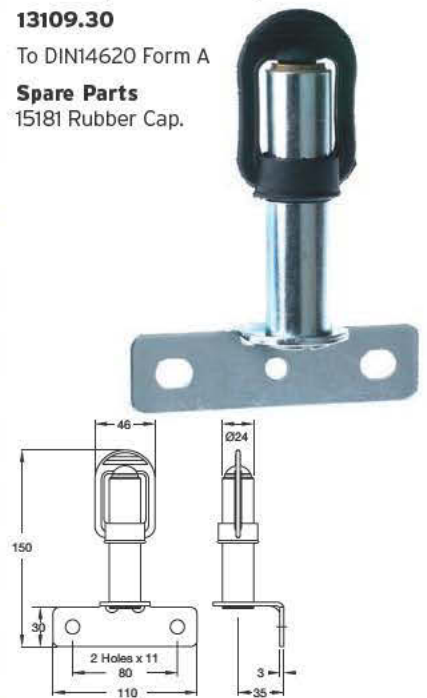
Socket fitted with 2 x 6.3mm male blade terminals. Fitment to vehicle vertical flat surface by means of integral bracket.

**13109.30**

To DIN14620 Form A

**Spare Parts**

15181 Rubber Cap.



## 13109.40 ADAPTOR SOCKET & TUBES

Socket fitted with 2 x 6.3mm male blade terminals. Fitment to vehicle horizontal flat surface by means of integral bracket.

**13109.40**

To DIN14620 Form A

**Spare Parts**

15181 Rubber Cap.



## 13109.25 ADAPTOR SOCKET & TUBES

Socket fitted with 2 x 6.3mm male blade terminals. Fitment to vehicle vertical flat surface by means of integral bracket. Socket can be lowered when fixed to avoid low obstacles.

**13109.25**

To DIN14620 Form A

**Spare Parts**

15181 Rubber Cap.



For use with:  
**B22, B25, B15,**  
**272, 292, 295,**  
**322, 372, 392,**  
**395, B65, B52,**  
**B55, B82, B72,**  
**B92, B95**  
 Ranges of Beacons.

### A421 SINGLE BOLT FIXING HALOGEN LIGHTBAR

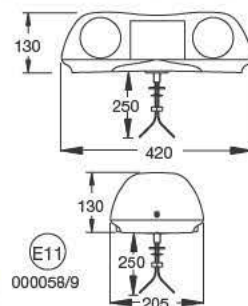
Amber. Polycarbonate Lens. Flash rate 160 flashes per minute per module. Operating temperature -30° to 50°.

#### A421.00.12V/.24V

Direct to roof fixing. Suitable for curved or flat roofs. 18mm diameter hole required for fixing.

#### Spare Parts

- 18545.00 Amber Lens.
- 27031 Bulb Retaining Clip.
- 15214 Drive Belt.
- 13551.04 Dual Voltage Module.



### A431 SINGLE BOLT FIXING XENON LIGHTBAR

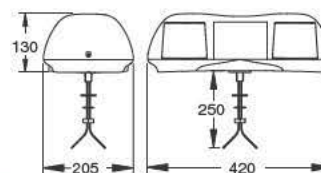
Amber. Polycarbonate Lens. Flash rate 75 flashes per minute per module. Operating temperature -30° to 50°

#### A431.00.DV 10V - 30V DC

Direct to roof fixing, suitable for curved or flat roofs, 18mm diameter hole required for fixing.

#### Spare Parts

- 18547.00 Amber Lens.
- 13002.00 Xenon Module.
- 10085 Internal Fresnel Lens.



### A451 SINGLE BOLT FIXING LED LIGHTBAR

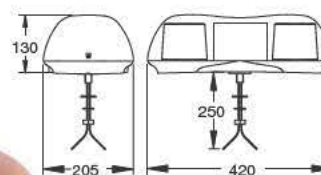
Amber. Polycarbonate Lens. Flash rate: 70 groups of 5 flashes per minute per module. Operating temperature -30°C to 50°C.

#### A451.00.LMV 10V - 49V DC

Direct to roof fixing, suitable for curved or flat roofs. 18mm diameter hole required for fixing.

#### Spare Parts

- 18545.14 Amber Lens.
- 13606.54 Dual Voltage Module.
- 10085 Internal Fresnel Lens.



## A424 MAGNETIC HALOGEN LIGHTBAR

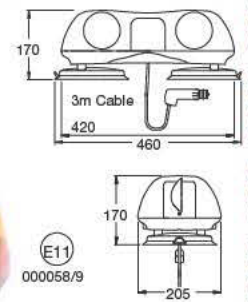
Amber. Polycarbonate Lens. Flash rate 160 flashes per minute per module. Operating temperature -30° to 50°

### A424.00.12V/.24V

Flexible Magnetic Mounting, suitable for curved or flat roofs. Maximum vehicle speeds up to 70mph/112kph.

#### Spare Parts

- 18545.00 Amber Lens.
- 27031 Bulb Retaining Clip.
- 15214 Drive Belt.
- 13551.04 Dual Voltage Module.
- 18106.00 Bush Mounting Kit.
- 14218.00 Single Pole Plug.



## A434 MAGNETIC XENON LIGHTBAR

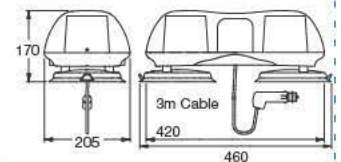
Amber. Polycarbonate Lens. Flash rate 75 flashes per minute per module. Operating temperature -30° to 50°

### A434.00 .DV 10V-30V DC

Flexible Magnetic Mounting, suitable for curved or flat roofs. Maximum vehicle speeds up to 70mph/112kph.

#### Spare Parts

- 18547.00 Amber Lens.
- 13002.00 Xenon Module.
- 10085 Internal Fresnel Lens.
- 18106.00 Bush Mounting Kit.
- 14218.00 Single Pole Plug.



## A454 MAGNETIC LED LIGHTBAR

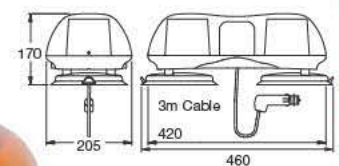
Amber. Polycarbonate Lens. Flash rate: 70 groups of 5 flashes per minute, per module. Operating temperature -30°c to 50°c.

### A454.00.LMV 10V - 49V DC

Flexible magnetic mounting, suitable for curved or flat roofs. Maximum vehicle speeds up to 70mph/112kph.

#### Spare Parts

- 10085 Internal Fesnel Lens.
- 18106.00 Bush Mounting Kit
- 14218.00 Single Pole Plug.

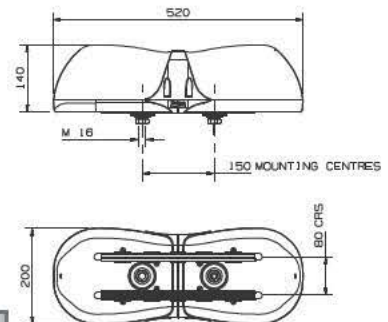


- A441.00 SINGLE BOLT FIX
- A444.00 MAGNETIC FIX



## AEROLITE LIGHTBARS

### AEROLITE 520 SERIES - AMBER LIGHTBARS 520mm, 2 MODULE ROTATING, XENON, LED



PART NO	VOLTAGE	MODULE TYPE	ILLUMINATED SIGN PLATE
A6202.000.12V	12V	Rotating	No
A6202.000.24V	24V	Rotating	No
A6302.000.DV	Dual Voltage	Xenon	No
A6702.00.DV	Dual Voltage	LED	No

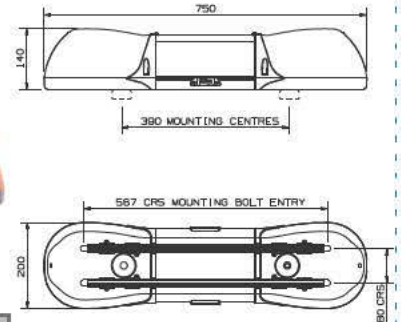


# Aerolite light bars

meet the requirements of **IP56**

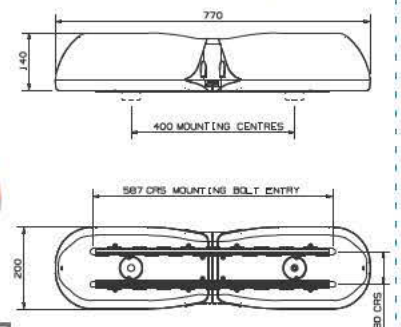
## Lightbars

### AEROLITE 750 SERIES - AMBER LIGHTBARS 750mm, 2 MODULE ROTATING, XENON, LED



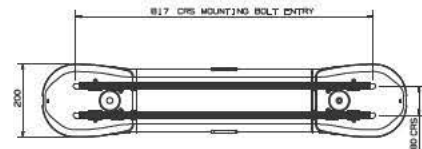
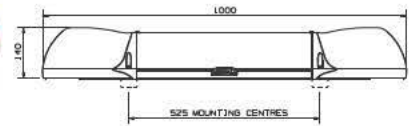
PART NO	VOLTAGE	MODULE TYPE	ILLUMINATED SIGN PLATE
A6212.100.12V	12V	Rotating	No
A6212.200.12V	12V	Rotating	Yes
A6212.100.24V	24V	Rotating	No
A6212.200.24V	24V	Rotating	Yes
A6312.100.DV	DUAL VOLTAGE	Xenon	No
A6312.200.12V	Dual Voltage modules + 12V sign	Xenon	Yes
A6312.200.24V	Dual voltage modules + 24V sign	Xenon	Yes
A6712.100.DV	DUAL VOLTAGE	LED	No
A6712.200.12V	Dual Voltage modules + 12V sign	LED	Yes
A6712.200.24V	Dual voltage modules + 24V sign	LED	Yes

### AEROLITE 770 SERIES - AMBER LIGHTBARS 770mm, 4 MODULE ROTATING, XENON,LED



PART NO	VOLTAGE	MODULE TYPE	ILLUMINATED SIGN PLATE
A6124.000.12V	12V	Rotating	No
A6124.000.24V	24V	Rotating	No
A6224.000.12V	12V	Rotating	No
A6224.000.24V	24V	Rotating	No
A6324.000.DV	Dual Voltage	Xenon	No
A6724.000.DV	Dual Voltage	LED	No

### AEROLITE 1000 SERIES - AMBER LIGHTBARS 1000mm 2 & 4 MODULE ROTATING XENON, LED



### AEROLITE 1000 SERIES - AMBER LIGHTBARS 1000MM 2 MODULE ROTATING XENON + LED

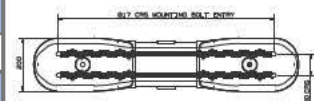
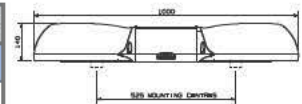


PART NO	VOLTAGE	MODULE TYPE	ILLUMINATED SIGN PLATE
A6242.100.12V	12V	Rotating	No
A6242.200.12V	12V	Rotating	Yes
A6242.100.24V	24V	Rotating	No
A6242.200.24V	24V	Rotating	Yes
A6342.100.DV	Dual Voltage	Xenon	No
A6342.200.12V	Dual Voltage modules + 12V sign	Xenon	Yes
A6342.200.24V	Dual voltage modules + 24V sign	Xenon	Yes
A6742.100.DV	Dual Voltage	LED	No
A6742.200.12V	Dual Voltage module + 12V Sign	LED	Yes
A6742.200.24V	Dual Voltage module + 24V Sign	LED	Yes

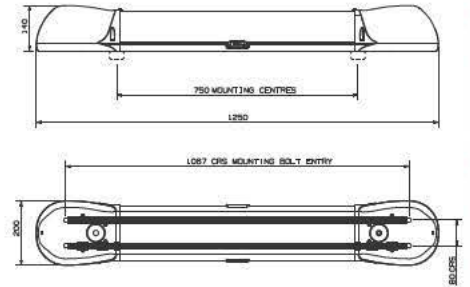
### AEROLITE 1000 SERIES - AMBER LIGHTBARS 1000MM 4 MODULE ROTATING, XENON, LED



PART NO	VOLTAGE	MODULE TYPE	ILLUMINATED SIGN PLATE
A6234.100.12V	12V	Rotating	No
A6234.200.12V	12V	Rotating	Yes
A6234.100.24V	24V	Rotating	No
A6234.200.24V	24V	Rotating	Yes
A6134.100.12V	12V	Rotating	No
A6134.200.12V	12V	Rotating	Yes
A6134.100.24V	24V	Rotating	No
A6134.200.24V	24V	Rotating	Yes
A6334.100.DV	Dual Voltage	Xenon	No
A6334.200.12V	Dual Voltage modules + 12V Sign	Xenon	Yes
A6334.200.24V	Dual Voltage modules + 24V sign	Xenon	Yes
A6734.100.DV	Dual Voltage	LED	No
A6734.200.12V	Dual Voltage modules + 12V Sign	LED	Yes
A6734.200.24V	Dual Voltage modules + 24V sign	LED	Yes



## AEROLITE 1250 SERIES - AMBER LIGHTBARS 1250mm, 2 & 4 MODULE ROTATING, XENON, LED



### AEROLITE 1250 SERIES - AMBER LIGHTBARS 1250MM 2 MODULE ROTATING, XENON, LED

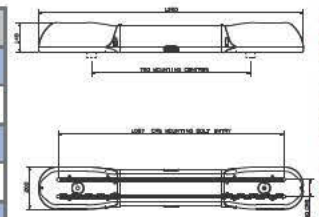


PART NO	VOLTAGE	MODULE TYPE	ILLUMINATED SIGN PLATE
A6262.100.12V	12V	Rotating	No
A6262.200.12V	12V	Rotating	Yes
A6262.100.24V	24V	Rotating	No
A6262.200.24V	24V	Rotating	Yes
A6362.100.DV	Dual Voltage	Xenon	No
A6362.200.12V	Dual Voltage modules + 12V sign	Xenon	Yes
A6362.200.24V	Dual Voltage modules + 24V sign	Xenon	Yes
A6762.100.DV	Dual Voltage	LED	No
A6762.200.12V	Dual Voltage modules + 12V sign	LED	Yes
A6762.200.24V	Dual Voltage modules + 24V sign	LED	Yes

### AEROLITE 1250 SERIES - AMBER LIGHTBARS 1250MM 4 MODULE ROTATING, XENON, LED



PART NO	VOLTAGE	MODULE TYPE	ILLUMINATED SIGN PLATE
A6254.100.12V	12V	Rotating	No
A6254.200.12V	12V	Rotating	Yes
A6254.100.24V	24V	Rotating	No
A6254.200.24V	24V	Rotating	Yes
A6154.100.12V	12V	Rotating	No
A6154.200.12V	12V	Rotating	Yes
A6154.100.24V	24V	Rotating	No
A6154.200.24V	24V	Rotating	Yes
A6354.100.DV	Dual Voltage	Xenon	No
A6354.200.12V	Dual Voltage modules + 12V Sign	Xenon	Yes
A6354.200.24V	Dual Voltage modules + 24V sign	Xenon	Yes
A6754.100.DV	Dual Voltage	LED	No
A6754.200.12V	Dual Voltage modules + 12V Sign	LED	Yes
A6754.200.24V	Dual Voltage modules + 24V sign	LED	Yes



**20/20 custom built light bars are available**

contact **Britax** for details

**Aerolite light bars**  
meet the requirements of **IP56**

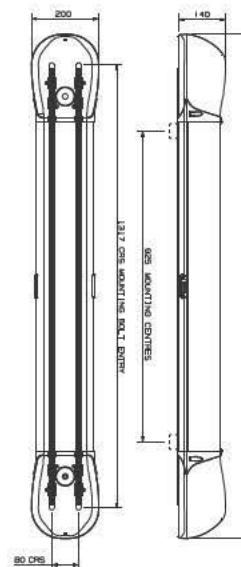
### AEROLITE 1500 SERIES - AMBER LIGHTBAR 1500mm, 2 & 4 MODULE ROTATING, XENON, LED



#### AEROLITE 1500 SERIES - AMBER LIGHTBARS 1500MM 2 MODULE ROTATING, XENON & LED



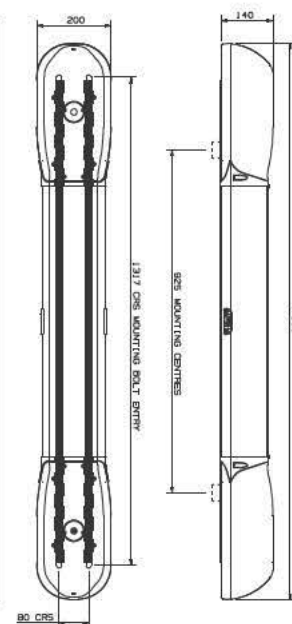
PART NO	VOLTAGE	MODULE TYPE	ILLUMINATED SIGN PLATE
A6282.100.12V	12V	Rotating	No
A6282.200.12V	12V	Rotating	Yes
A6282.100.24V	24V	Rotating	No
A6282.200.24V	24V	Rotating	Yes
A6382.100.DV	Dual Voltage	Xenon	No
A6382.200.12V	Dual Voltage modules + 12V Sign	Xenon	Yes
A6382.200.24V	Dual Voltage modules + 24V sign	Xenon	Yes
A6782.100.DV	Dual Voltage	LED	No
A6782.200.12V	Dual Voltage modules + 12V Sign	LED	Yes
A6782.200.24V	Dual Voltage modules + 24V sign	LED	Yes



#### AEROLITE 1500 SERIES - AMBER LIGHTBARS 1500MM 4 MODULE ROTATING, XENON & LED



PART NO	VOLTAGE	MODULE TYPE	ILLUMINATED SIGN PLATE
A6274.100.12V	12V	Rotating	No
A6274.200.12V	12V	Rotating	Yes
A6274.100.24V	24V	Rotating	No
A6274.200.24V	24V	Rotating	Yes
A6174.100.12V	12V	Rotating	No
A6174.200.12V	12V	Rotating	Yes
A6174.100.24V	24V	Rotating	No
A6174.200.24V	24V	Rotating	Yes
A6374.100.DV	Dual Voltage	Xenon	No
A6374.200.12V	Dual Voltage modules + 12V sign	Xenon	Yes
A6374.200.24V	Dual Voltage modules + 24V sign	Xenon	Yes
A6774.100.DV	Dual Voltage	LED	No
A6774.200.12V	Dual Voltage module + 12V Sign	LED	Yes
A6774.200.24V	Dual Voltage module + 24V Sign	LED	Yes



**Custom built light bars are available**

contact **Britax** for details  
01262 670161

## SIGN PLATE OPTIONS

Standard options on the lightbar sign plate:-

**RECOVERY**  
**SPREADING**  
**SURVEYING**  
**GRITTING**  
**POLICE MUNICIPALE**  
**TOW**  
**ABNORMAL LOAD**

**WIDE LOAD**  
**ABSCHLEPPDIENST**  
**DEPANNAGE**  
**SONDERTRANSPORT**  
**ASSISTANCE**  
**CONVOI EXCEPTIONNEL**  
**SCHWERTRANSPORT**



	750 2 MODULE	1000 2 MODULE	1000 4 MODULE	1250 2 MODULE	1250 4 MODULE	1500 2 MODULE	1500 4 MODULE
SIGN PLATE SIZE	210 x 80	460 x 80	210 x 80	710 x 80	460 x 80	960 x 80	710 x 80
RECOVERY	1506.000	1506.001	1506.000	1506.002	1506.001	1506.002	1506.002
SPREADING	1506.003	1506.004	1506.003	1506.005	1506.004	1506.005	1506.005
SURVEYING	1506.006	1506.007	1506.006	1506.008	1506.007	1506.008	1506.008
GRITTING	1506.009	1506.010	1506.009	1506.011	1506.010	1506.011	1506.011
TOW	1506.012	1506.013	1506.012	1506.013	1506.013	1506.013	1506.013
ABNORMAL LOAD	N/A	1506.014	N/A	1506.015	1506.014	1506.016	1506.015
WIDE LOAD	1506.017	1506.018	1506.017	1506.019	1506.018	1506.019	1506.019
ABSCHLEPPDIENST	N/A	1506.020	N/A	1506.021	1506.020	1506.022	1506.021
SCHWERTRANSPORT	N/A	1506.023	N/A	1506.024	1506.023	1506.025	1506.024
SONDERTRANSPORT	NA	1506.026	N/A	1506.027	1506.026	1506.028	1506.027
DEPANNAGE	1506.029	1506.030	1506.029	1506.031	1506.030	1506.031	1506.031
CONVOI EXCEPTIONNEL	N/A	1506.032	N/A	1506.033	1506.032	1506.034	1506.033
POLICE MUNICIPALE	N/A	1506.035	N/A	1506.036	1506.035	1506.037	1506.036
ASSISTANCE	1506.038	1506.039	1506.038	1506.040	1506.039	1506.040	1506.040

If required please order chosen sign plate (one/two per lightbar) when ordering a lightbar. Bespoke signage is available to order.

## AEROLITE LIGHTBAR SERIES SPARE PARTS

### AEROLITE 520 SERIES - AMBER LIGHTBARS 520MM 2 MODULE

Part Number	Module	Module inner pair	Drive belt	Link belt	Lens	Centre section	Bridge Piece	Bulb Clip	Module bulb	Centre sec.bulb	Fresnel lens
A6202.000.12V	13551.04	N/A	15214	N/A	10519.22	N/A	12343.00	27031	H448	N/A	N/A
A6202.000.24V	13551.04	N/A	15214	N/A	10519.22	N/A	12343.00	27031	H466	N/A	N/A
A6302.000.DV	13002.00	N/A	N/A	N/A	10519.23	N/A	12343.00	N/A	N/A	N/A	10085
A6702.000.DV	13606.53	N/A	N/A	N/A	10519.27	N/A	12343.00	N/A	N/A	N/A	10085

### AEROLITE 750 SERIES - AMBER LIGHTBARS 750MM 2 MODULE

Part Number	Module	Module inner pair	Drive belt	Link belt	Lens	Centre section	Bridge Piece	Bulb Clip	Module bulb	Centre sec.bulb	Fresnel lens
A6212.100.12V	13551.04	N/A	15214	N/A	15019.22	12345.03	12342.10	27031	H448	N/A	N/A
A6212.200.12V	13551.04	N/A	15214	N/A	15019.22	12345.03	12342.10	27031	H448	L382	N/A
A6212.100.24V	13551.04	N/A	15214	N/A	10519.22	12345.03	12342.10	27031	H466	N/A	N/A
A6212.200.24V	13551.04	N/A	15214	N/A	10519.22	12345.03	12342.10	27031	H466	L241	N/A
A6312.100.DV	13002.00	N/A	N/A	N/A	10519.23	12345.03	12342.10	N/A	N/A	N/A	10085
A6312.200.12V	13002.00	N/A	N/A	N/A	10519.23	12345.03	12342.10	N/A	N/A	L382	10085
A6312.200.24V	13002.00	N/A	N/A	N/A	10519.23	12345.03	12342.10	N/A	N/A	L241	10085
A6712.100.DV	13606.53	N/A	N/A	N/A	10519.27	12345.03	12342.10	N/A	N/A	12V L382. 24V L241	10085

### AEROLITE 770 SERIES - AMBER LIGHTBARS 770MM 4 MODULE

Part Number	Module	Module inner pair	Drive belt	Link belt	Lens	Centre section	Bridge Piece	Bulb Clip	Module bulb	Centre sec.bulb	Fresnel lens
A6124.000.12V	13589.00.12V	13590.00	N/A	15332.00	10518.21	N/A	12343.00	27121	H448	N/A	N/A
A6124.000.24V	13589.00.24V	13590.00	N/A	15332.00	10518.21	N/A	12343.00	27121	H466	N/A	N/A
A6224.000.12V	13551.04	13551.04	15214	N/A	10518.22	N/A	12343.00	27031	H448	N/A	N/A
A6224.000.24V	13551.04	13551.04	15214	N/A	10518.22	N/A	12343.00	27031	H466	N/A	N/A
A6324.000.DV	13002.00	13002.00	N/A	N/A	10518.23	N/A	12343.00	N/A	N/A	N/A	10085
A6724.000.DV	13606.53	N/A	N/A	N/A	10518.28	N/A	12343.00	N/A	N/A	N/A	10085

## AEROLITE LIGHTBAR SERIES SPARE PARTS

### AEROLITE 1000 SERIES - AMBER LIGHTBARS 1000MM 2 MODULE

(SUPPORT BAR FOR THIS ITEM 11298.02)

Part Number	Module	Module inner pair	Drive belt	Link belt	Lens	Centre section	Bridge Piece	Bulb Clip	Module bulb	Centre sec.bulb	Fresnel lens
A6242.100.12V	13551.04	N/A	15214	N/A	10519.22	12345.02	12342.10	27031	H448	N/A	N/A
A6242.200.12V	13551.04	N/A	15214	N/A	10519.22	12345.02	12342.10	27031	H448	L382	N/A
A6242.100.24V	13551.04	N/A	15214	N/A	10519.22	12345.02	12342.10	27031	H466	N/A	N/A
A6242.200.24V	13551.04	N/A	15214	N/A	15019.22	12345.02	12342.10	27031	H466	L241	N/A
A6342.100.DV	13002.00	N/A	N/A	N/A	10519.23	12345.02	12342.10	N/A	N/A	N/A	10085
A6342.200.12V	13002.00	N/A	N/A	N/A	10519.23	12345.02	12342.10	N/A	N/A	L382	10085
A6342.200.24V	13002.00	N/A	N/A	N/A	10519.23	12345.02	12342.10	N/A	N/A	L241	10085
A6742.100.DV	13606.53	N/A	N/A	N/A	10519.27	12345.02	12342.10	N/A	N/A	N/A	10085
A6742.200.12V	13606.53	N/A	N/A	N/A	10519.27	12345.02	12342.10	N/A	N/A	L382	10085
A6742.200.24V	13606.53	N/A	N/A	N/A	10519.27	12345.02	12342.10	N/A	N/A	L241	10085

### AEROLITE 1000 SERIES - AMBER LIGHTBARS 1000MM 4 MODULE

(SUPPORT BAR FOR THIS ITEM 11298.03)

Part Number	Module	Module inner pair	Drive belt	Link belt	Lens	Centre section	Bridge Piece	Bulb Clip	Module bulb	Centre sec.bulb	Fresnel lens
A6234.100.12V	13551.04	13551.04	15214	N/A	10518.22	12345.03	12342.10	27031	H448	N/A	N/A
A6234.200.12V	13551.04	13551.04	15214	N/A	10518.22	12345.03	12342.10	27031	H448	L382	N/A
A6234.100.24V	13551.04	13551.04	15214	N/A	10518.22	12345.03	12342.10	27031	H466	N/A	N/A
A6234.200.24V	13551.04	13551.04	15214	N/A	10518.22	12345.03	12342.10	27031	H466	L382	N/A
A6134.100.12V	13589.00.12V	13590.00	N/A	15332.00	10518.21	12345.03	12342.10	27121	H448	N/A	N/A
A6134.200.12V	13589.00.12V	13590.00	N/A	15332.00	10518.21	12345.03	12342.10	27121	H448	L382	N/A
A6134.100.24V	13589.00.24V	13590.00	N/A	15332.00	10518.21	12345.03	12342.10	27121	H466	N/A	N/A
A6134.200.24V	13589.00.24V	13590.00	N/A	15332.00	10518.21	12345.03	12342.10	27121	H466	L241	N/A
A6334.100.DV	13002.00	13002.00	N/A	N/A	10518.23	12345.03	12342.10	N/A	N/A	N/A	10085
A6334.200.12V	13002.00	13002.00	N/A	N/A	10518.23	12345.03	12342.10	N/A	N/A	L382	10085
A6334.200.24V	13002.00	13002.00	N/A	N/A	10518.23	12345.03	12342.10	N/A	N/A	L241	10085
A6734.100.DV	13606.53	N/A	N/A	N/A	10518.28	12345.03	12342.10	N/A	N/A	N/A	10085
A6734.200.12V	13606.53	N/A	N/A	N/A	10518.28	12345.03	12342.10	N/A	N/A	N/A	10085
A6734.200.24V	13606.53	N/A	N/A	N/A	10518.28	12345.03	12342.10	N/A	N/A	N/A	10085

### AEROLITE 1250 SERIES - AMBER LIGHTBARS 1250MM 2 MODULE

(SUPPORT BAR FOR THIS ITEM 11298.01)

Part Number	Module	Module inner pair	Drive belt	Link belt	Lens	Centre section	Bridge Piece	Bulb Clip	Module bulb	Centre sec.bulb	Fresnel lens
A6262.100.12V	13551.04	N/A	15214	N/A	10519.22	12345.01	12342.10	27031	H448	N/A	N/A
A6262.200.12V	13551.04	N/A	15214	N/A	10519.22	12345.01	12342.10	27031	H448	L382	N/A
A6262.100.24V	13551.04	N/A	15214	N/A	10519.22	12345.01	12342.10	27031	H466	N/A	N/A
A6262.200.24V	13551.04	N/A	15214	N/A	10519.22	12345.01	12342.10	27031	H466	L241	N/A
A6362.100.DV	13002.00	N/A	N/A	N/A	10519.23	12345.01	12342.10	N/A	N/A	N/A	10085
A6362.200.12V	13002.00	N/A	N/A	N/A	10519.23	12345.01	12342.10	N/A	N/A	L382	10085
A6362.200.24V	13002.00	N/A	N/A	N/A	10519.23	12345.01	12342.10	N/A	N/A	L241	10085
A6762.100.DV	13606.53	N/A	N/A	N/A	10519.27	12345.01	12342.10	N/A	N/A	N/A	10085
A6762.200.12V	13606.53	N/A	N/A	N/A	10519.27	12345.01	12342.10	N/A	N/A	N/A	10085
A6762.200.24V	13606.53	N/A	N/A	N/A	10519.27	12345.01	12342.10	N/A	N/A	N/A	10085

## AEROLITE LIGHTBAR SERIES SPARE PARTS

### AEROLITE 1250 SERIES - AMBER LIGHTBARS 1250MM 4 MODULE (SUPPORT BAR FOR THIS ITEM 11298.02)

Part Number	Module	Module inner pair	Drive belt	Link belt	Lens	Centre section	Bridge Piece	Bulb Clip	Module bulb	Centre sec.bulb	Fresnel lens
A6254.100.12V	13551.04	13551.04	15214	N/A	10518.22	12345.02	12342.10	27031	H448	N/A	N/A
A6254.200.12V	13551.04	13551.04	15214	N/A	10518.22	12345.02	12342.10	27031	H448	L382	N/A
A6254.100.24V	13551.04	13551.04	15214	N/A	10518.22	12345.02	12342.10	27031	H466	N/A	N/A
A6254.200.24V	13551.04	13551.04	15214	N/A	10518.22	12345.02	12342.10	27031	H466	L241	N/A
A6154.100.12V	13589.00.12V	13590.00	N/A	15332.00	10518.21	12345.02	12342.10	27121	H448	N/A	N/A
A6154.200.12V	13589.00.12V	13590.00	N/A	15332.00	10518.21	12345.02	12342.10	27121	H448	L382	N/A
A6154.100.24V	13589.00.24V	13590.00	N/A	15332.00	10518.21	12345.02	12342.10	27121	H466	N/A	N/A
A6154.200.24V	13589.00.24V	13590.00	N/A	15332.00	10518.21	12345.02	12342.10	27121	H466	L241	N/A
A6354.100.DV	13002.00	13002.00	N/A	N/A	10518.23	12345.02	12342.10	N/A	N/A	N/A	10085
A6354.200.12V	13002.00	13002.00	N/A	N/A	10518.23	12345.02	12342.10	N/A	N/A	L382	10085
A6354.200.24V	13002.00	13002.00	N/A	N/A	10518.23	12345.02	12342.10	N/A	N/A	L241	10085
A6754.100.DV	13606.53	N/A	N/A	N/A	10518.28	12345.02	12342.10	N/A	N/A	N/A	10085
A6754.200.12V	13606.53	N/A	N/A	N/A	10518.28	12345.02	12342.10	N/A	N/A	L382	10085
A6754.200.24V	13606.53	N/A	N/A	N/A	10518.28	12345.02	12342.10	N/A	N/A	L241	10085

### AEROLITE 1500 SERIES - AMBER LIGHTBARS 1500MM 2 MODULE (SUPPORT BAR FOR THIS ITEM 11298.00)

Part Number	Module	Module inner pair	Drive belt	Link belt	Lens	Centre section	Bridge Piece	Bulb Clip	Module bulb	Centre sec.bulb	Fresnel lens
A6282.100.12V	13551.04	N/A	15214	N/A	10519.22	12345.00	12342.10	27031	H448	N/A	N/A
A6282.200.12V	13551.04	N/A	15214	N/A	10519.22	12345.00	12342.10	27031	H448	L382	N/A
A6282.100.24V	13551.04	N/A	15214	N/A	10519.22	12345.00	12342.10	27031	H466	N/A	N/A
A6282.200.24V	13551.04	N/A	15214	N/A	10519.22	12345.00	12342.10	27031	H466	L241	N/A
A6382.100.DV	13002.00	N/A	N/A	N/A	10519.23	12345.00	12342.10	N/A	N/A	N/A	10085
A6382.200.12V	13002.00	N/A	N/A	N/A	10519.23	12345.00	12342.10	N/A	N/A	L382	10085
A6382.200.24V	13002.00	N/A	N/A	N/A	10519.23	12345.00	12342.10	N/A	N/A	L241	10085
A6782.100.DV	13606.53	N/A	N/A	N/A	10519.27	12345.00	12342.10	N/A	N/A	N/A	10085
A6782.200.12V	13606.53	N/A	N/A	N/A	10519.27	12345.00	12342.10	N/A	N/A	L382	10085
A6782.200.24V	13606.53	N/A	N/A	N/A	10519.27	12345.00	12342.10	N/A	N/A	L241	10085

### AEROLITE 1500 SERIES - AMBER LIGHTBARS 1500MM 4 MODULE (SUPPORT BAR FOR THIS ITEM 11298.01)

Part Number	Module	Module inner pair	Drive belt	Link belt	Lens	Centre section	Bridge Piece	Bulb Clip	Module bulb	Centre sec.bulb	Fresnel lens
A6274.100.12V	13551.04	13551.04	15214	N/A	10518.22	12345.01	12342.10	27031	H448	N/A	N/A
A6274.200.12V	13551.04	13551.04	15214	N/A	10518.22	12345.01	12342.10	27031	H448	L382	N/A
A6274.100.24V	13551.04	13551.04	15214	N/A	10518.22	12345.01	12342.10	27031	H466	N/A	N/A
A6274.200.24V	13551.04	13551.04	15214	N/A	10518.22	12345.01	12342.10	27031	H466	L241	N/A
A6174.100.12V	13589.00.12V	13590.00	N/A	15332.00	10518.21	12345.01	12342.10	27121	H448	N/A	N/A
A6174.200.12V	13589.00.12V	13590.00	N/A	15332.00	10518.21	12345.01	12342.10	27121	H448	L382	N/A
A6174.100.24V	13589.00.24V	13590.00	N/A	15332.00	10518.21	12345.01	12342.10	27121	H466	N/A	N/A
A6174.200.24V	13589.00.24V	13590.00	N/A	15332.00	10518.21	12345.01	12342.10	27121	H466	L241	N/A
A6374.100.DV	13002.00	13002.00	N/A	N/A	10518.23	12345.01	12342.10	N/A	N/A	N/A	10085
A6374.200.12V	13002.00	13002.00	N/A	N/A	10518.23	12345.01	12342.10	N/A	N/A	L382	10085
A6374.200.24V	13002.00	13002.00	N/A	N/A	10518.23	12345.01	12342.10	N/A	N/A	L241	10085
A6774.100.DV	13606.53	N/A	N/A	N/A	10518.28	12345.01	12342.10	N/A	N/A	N/A	10085
A6774.200.12V	13606.53	N/A	N/A	N/A	10518.28	12345.01	12342.10	N/A	N/A	L382	10085
A6774.200.24V	13606.53	N/A	N/A	N/A	10518.28	12345.01	12342.10	N/A	N/A	L241	10085

ALL 'A6' SERIES LIGHTBAR - MOUNTING KIT = K32.00    RETRO FIT WORKLAMP KIT = K49.00

### 20/20 LIGHTBAR

- Solid Aluminium Base Construction
- Available with Rotating, Xenon, LED Modules
- "Add-on" packs including centre section lettering, worklamps, and stop/tail, direction indicator lamps



European regulation 65 approved versions available

CONTACT  
**Britax**  
FOR MORE  
INFO

### LED LOW-PROFILE LIGHTBARS

- Low profile LED light bars. Only 35mm high
- A joint Britax / Code 3 product
- Features L52 type amber dual voltage modules
- Low current consumption
- Compliments modern vehicle design

**CODE 3**<sup>®</sup>  
A PUBLIC SAFETY EQUIPMENT COMPANY



A12708.000.DV	8 Modules	571 mm
A12738.000.DV	12 Modules	914 mm
A12759.000.DV	12 Modules	1194 mm
A12779.000.DV	12 Modules	1473 mm
A12738.100.DV	10 Modules	1194 mm
A12759.100.DV	10 Modules	1473 mm

All Modules set to quad flash (non R.65 versions)

All modules set to alternate double flash (R.65 versions)



**Custom built light bars are available**  
subject to minimum order quantities.

## AEROLITE "RECOVERY" LIGHT BARS

- Standard light bar available from stock
- Includes stop/tail/direction indicator/alternating stop flash
- 2 x externally mounted and adjustable halogen work lamps
- Same profile as Aerolite range
- Part No  
A6546.300 12V or 24V  
A6556.300 12V or 24V
- Spare Parts  
K49.00. Worklamp Kit



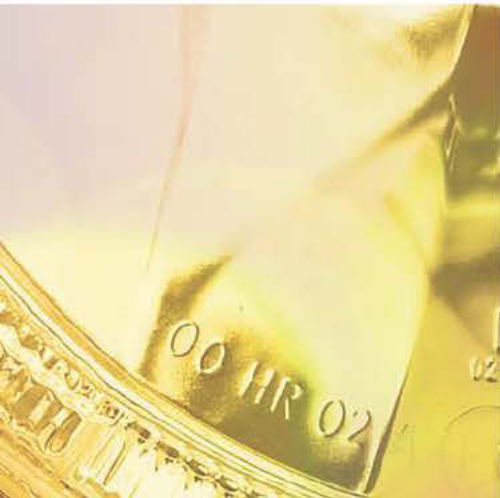
## BRITAX LED "MINI" LIGHT BAR

A100.00.L12V

- Exclusive to Britax PMG
- Magnetic fix (use up to 50mph/80kph) see page 5.
- Conforms to ECE Regulation 10.03 for electro-magnetic compatibility
- 12V operation only
- 6 x 4-way LED modules 850 Lumens
- Low current consumption
- Max draw 0.5 amps per module



**SINGLE BOLT VERSION COMING SOON**



**Britax**  
The first choice for...  
**Lamps & Reflectors**



visit our website | [www.britax-pmg.com](http://www.britax-pmg.com)

# LAMPS

FRONT POSITION LAMPS	44
FRONT COMBINATION LAMPS	46
SIDE MARKER LAMPS	48
END OUTLINE MARKER LAMPS	49
DIRECTION INDICATORS	53
REAR POSITION LAMPS	56
REAR BULB COMBINATION LAMPS	60
REAR REGISTRATION LAMPS	65
INTERIOR BULB LAMPS	66
WORK LAMPS	67
DRIVING LAMPS	71

# LED LAMPS

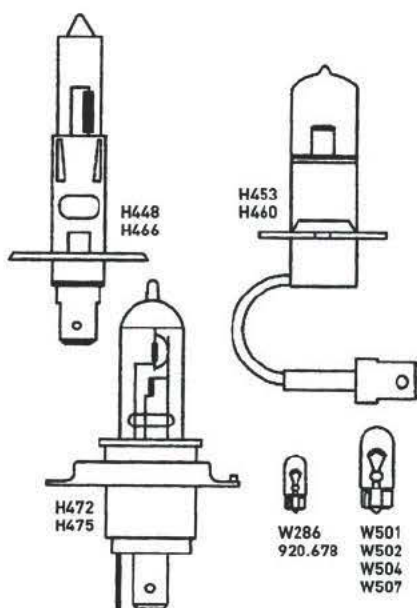
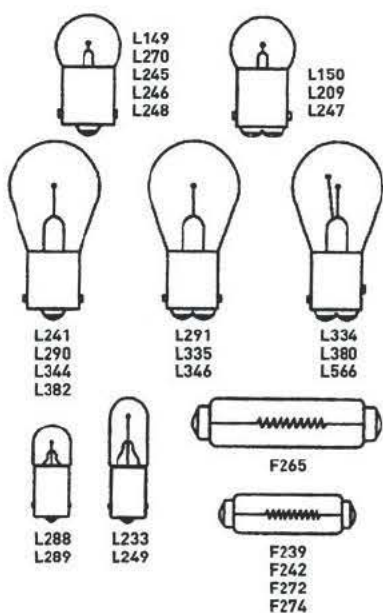
LED SIDE MARKER	72
LED END OUTLINE MARKER	72
LED REAR COMBINATION	73
LED WARNING LAMPS	78
LED WORK LAMPS	83

# REFLECTORS

REFLEX REFLECTORS	84
MISCELLANEOUS	85

## TECHNICAL INFORMATION

### BULB DETAILS



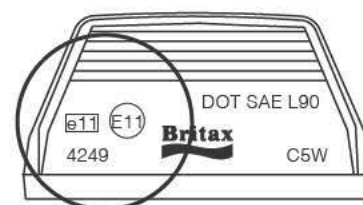
Bulb	Volts	Watts	Cap	ECE
L149	24	5	BA15s	R5W
L207	12	5	BA15s	R5W
L245	12	10	BA15s	R10W
L246	24	10	BA15s	R10W
L150	24	5	BA15d	R5W
L209	12	5	BA15d	R5W
L247	24	5	BA15d	R5W HDuty
L241	24	21	BA15s	P21W
L290	24	21	BA15s	P21W HDuty
L344	12	21	BA15s	P21W AMBER
L382	12	21	BA15s	P21W
L291	24	21	BA15d	P21W HDuty
L335	12	21	BA15d	P21W
L346	24	21	BA15d	P21W
L346	24	21	BA15d	P21W
L334	24	21/5	BAY15d	P21/5W
L380	12	21/5	BAY15d	P21/5W
L566	12	21/4	BAY15d	P25-2
L288	12	2	BA9s	
L289	24	2	BA9s	

Bulb	Volts	Watts	Cap	ECE
L233	12	4	BA9s	T4W
L249	24	4	BA9s	T4W
F265	12	10	SV8.5	
F239	12	5	SV8.5	C5W
F242	24	5	SV8.5	C5W
F272	12	10	SV8.5	
F274	24	10	SV8.5	
H448	12	55	P14.5s	H1
H466	24	70	P14.5s	H1
H453	12	55	PK22s	H3
H460	24	70	PK22s	H3
H472	12	60/55	P41-38	H4
H475	24	75/70	P41-38	H4
W286	12	1.2	W2x4.6d	
920.678	28	1.2	W2x4.6d	
W501	12	5	W2.1x9.5d	W5W
W502	12	3	W2.1x9.5d	W3W
W504	24	3	W2.1x9.5d	W3W
W507	24	5	W2.1x9.5d	W5W

### APPROVAL DETAILS

Reflex reflector	ECE Regulation 3-01, 3-02
Rear registration plate	ECE Regulation 4-00
Direction indicator	ECE Regulation 6-00, 6-01
Front + rear position (side) + stop	ECE Regulation 7-00, 7-01, 7-02
Headlamp (H1, H2, H3, H7)	ECE Regulation 8-00
Headlamp (H4)	ECE Regulation 20.02
Front fog	ECE Regulation 19-00
Reversing lamp	ECE Regulation 23-00
Triangular reflex reflector	ECE Regulation 27-00
Rear fog	ECE Regulation 38-00
Side marker	ECE Regulation 91-00
Headlamp (Driving beam)	ECE Regulation 112
TUV (Germany) standards	'Carriage of dangerous goods'
SAE standards	USA
EMC	EEC Directives & ECE Regulations for electro-magnetic compatibility.

### FOR INFORMATION:



Individual approval numbers (ECE Reg) are shown on the product.

call our sales team | 01262 670161

### L15 FRONT POSITION BULB LAMP

Front, lens uncoloured.

**L15.00**  
**12V OR 24V**

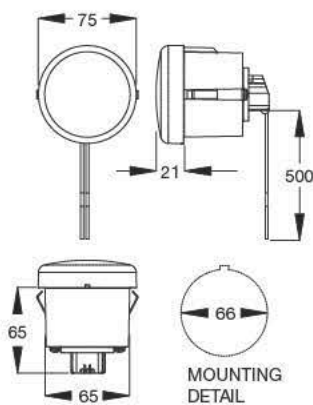
Clip fit into panel of thickness 3.5±1mm

**Spare Parts**

13585.02 Bulbholder.  
12V Bulb L207.  
24V Bulb L149.



Other functions in this style available.



### 636 FRONT POSITION BULB LAMP

Front, lens uncoloured.

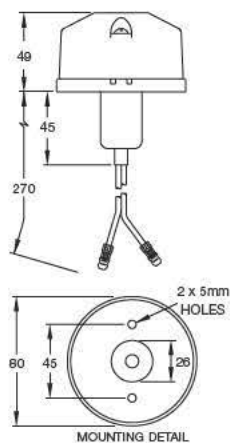
**636.00**  
**12V OR 24V**

**Spare Parts**

10101.01 Lens Uncoloured.  
12V Bulb L209.  
24V Bulb L150.



Other functions in this style available.



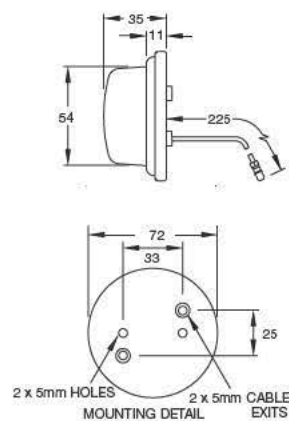
### 764 FRONT POSITION BULB LAMP

Front, lens uncoloured.

**764.00**  
**12V OR 24V**

**Spare Parts**

10047.7232 Lens Uncoloured.  
12004.6 Bezel.  
12V Bulb F239.  
24V Bulb F242.



**Britax PMG** have been supplying lamps to the automotive industry for **over 60 years**. Originally founded as **PMG Thorpe Limited**

**449 FRONT POSITION BULB LAMP**

Front, lens uncoloured.

**449.00**  
**12V OR 24V**

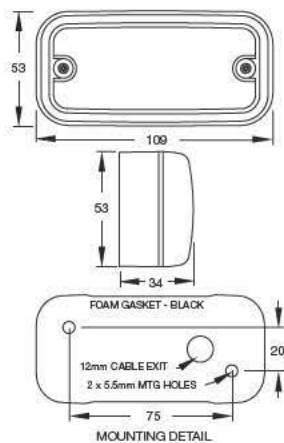
Suitable for horizontal or vertical mounting.

**Spare Parts**

10466.00 Lens Uncoloured.  
12V Bulb L233.  
24V Bulb L249.



Other functions in this style available.



**881 FRONT POSITION BULB LAMP**

Front, lens neutral density

**881.00**  
**12V OR 24V**

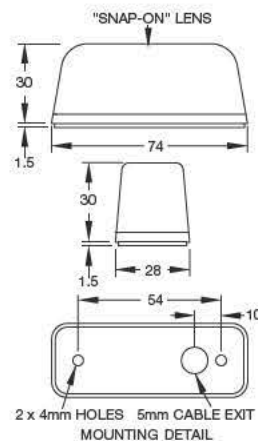
Suitable for horizontal or vertical mounting.

**Spare Parts**

10430.00 Lens Neutral Density.  
12V Bulb W501.  
24V Bulb W507.



Other functions in this style available.



**821 FRONT POSITION BULB LAMP**

Front, lens uncoloured. For recessed mounting.

**821.01**  
**12V OR 24V**

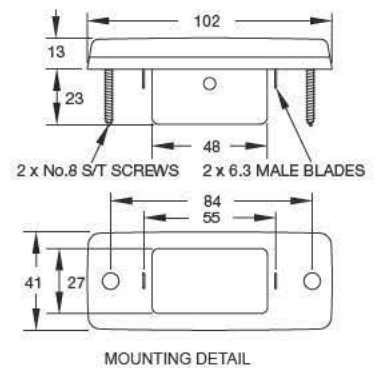
Suitable for horizontal or vertical mounting.

**Spare Parts**

10413.01 Lens Uncoloured.  
12V Bulb F239.  
24V Bulb F242.



Other functions in this style available.



### 822 FRONT POSITION BULB LAMP

Front, lens uncoloured.

**822.01**  
**12V OR 24V**

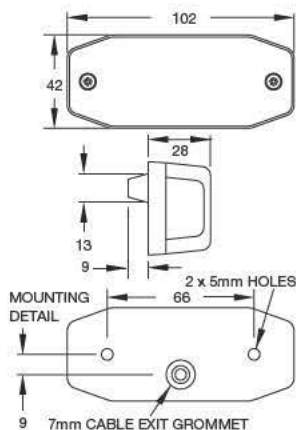
Suitable for horizontal or vertical mounting.

**Spare Parts**

10412.01 Lens Uncoloured.  
8011.00 Gasket.  
12V Bulb F239.  
24V Bulb F242.



Other functions in this style available.



### 814 FRONT POSITION BULB LAMP

Front, lens uncoloured.

**814.01**  
**12V OR 24V**

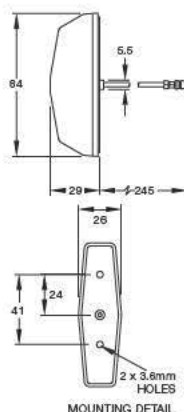
Suitable for horizontal or vertical mounting.

**Spare Parts**

10000.01 Lens Uncoloured.  
12V Bulb F239.  
24V Bulb F242.



Other functions in this style available.



### 9006 FRONT COMBINATION BULB LAMP

Front position and direction indicator. Lens amber/uncoloured. Insulated return.

**9006.00**  
**12V OR 24V**

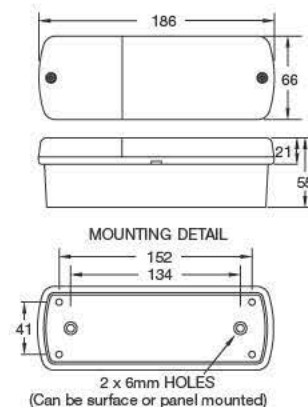
Some lamps will require to have hole 'knock-outs' removed. Suitable for horizontal mounting only.

**Spare Parts**

10445.00 Lens Amber/Uncoloured.  
12V Bulbs 1 x L207 1 x L382.  
24V Bulbs 1 x L149 1 x L241.



Other functions in this style available.



There are over **500 models** of mandatory and auxiliary function lamps in the Britax range

Lamps can be specified with  
**Dedicated cable lengths and  
connector combinations.**  
Call the **Britax** team  
for guidance

**9009 FRONT  
COMBINATION BULB  
LAMP**

Front position and direction indicator. Lens  
amber/uncoloured.

**9009.00  
12V OR 24V**

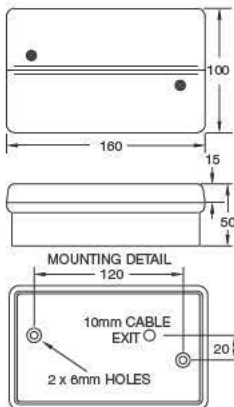
Suitable for horizontal or vertical mounting.

**Spare Parts**

10401.00 Lens Amber/Uncoloured.  
12V Bulbs 1 x L207 1 x L382.  
24V Bulbs 1 x L149 1 x L241.



Other functions in this style available.



**9058 FRONT  
COMBINATION BULB  
LAMP**

Front position and direction indicator. Lens  
amber/uncoloured.

**9058.00 Right Hand / 9058.01 Left  
Hand  
12V OR 24V**

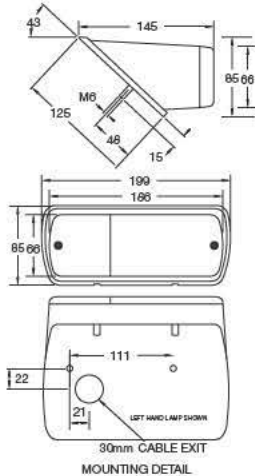
Suitable for horizontal mounting only.

**Spare Parts**

10445.00 Lens Amber/Uncoloured.  
12V Bulbs 1 x L207 1 x L382.  
24V Bulbs 1 x L149 1 x L241.



Other functions in this style available.



**9087 FRONT  
COMBINATION BULB  
LAMP**

Front position and direction indicator. Lens  
amber/uncoloured.

**9087.00  
12V**

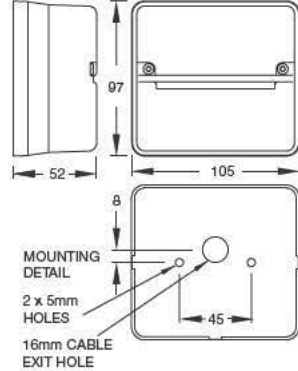
For 12V max applications.

**Spare Parts**

10367.00 Lens Amber/Uncoloured.  
12V Bulb 1 x L207 1 x L382.



Other functions in this style available.



### 449 SIDE MARKER BULB LAMP WITH REFLEX REFLECTOR

Side marker. Lens amber.

**449.02**  
**12V OR 24V**

Suitable for vertical or horizontal mounting.

**Spare Parts**

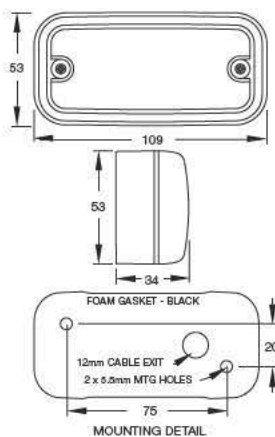
10467.00 Lens Amber.  
12V Bulb L233.  
24V Bulb L249.



Other functions in this style available.



CAT SM1



### 449 SIDE MARKER BULB LAMP WITH REFLEX REFLECTOR

Side marker with 90° bracket. Lens amber.

**449.03**  
**12V OR 24V**

Suitable for horizontal or vertical mounting.

**Spare Parts**

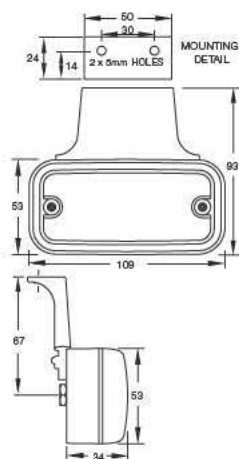
10467.00 Lens Amber.  
12V Bulb L233.  
24V Bulb L249.



Other functions in this style available.



CAT SM1



### 605 SIDE MARKER BULB LAMP WITH REFLEX REFLECTOR

Side marker. Lens amber.

**605.00**  
**12V OR 24V (SUPPLIED LESS BULB)**

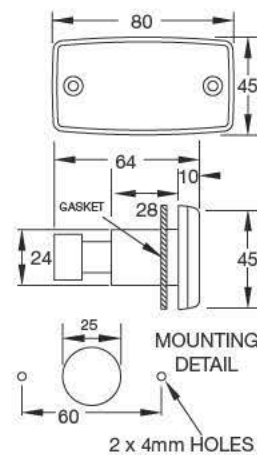
Suitable for vertical or horizontal mounting.

**Spare Parts**

1323.00 Bulb Holder + Seal.  
12261.00 Vertical Flat Bracket.  
12261.01 90° Vertical Bracket.  
15281.00 Gasket.  
12V Bulb W502.  
24V Bulb W504.



CAT SM1





Please always  
**specify voltage**  
when ordering

### 639 SIDE MARKER BULB LAMP WITH REFLEX REFLECTOR

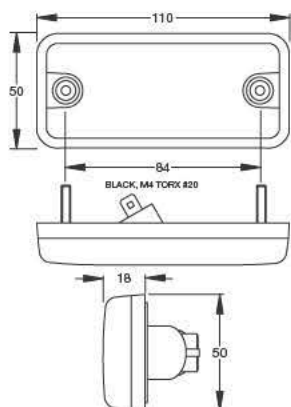
Side marker. Lens amber.

**639.00**  
**24V ONLY**

Suitable for horizontal mounting.

**Spare Parts**

13572.00 Bulb Holder.  
24V Bulb W504.



### 427 END OUTLINE MARKER BULB LAMP

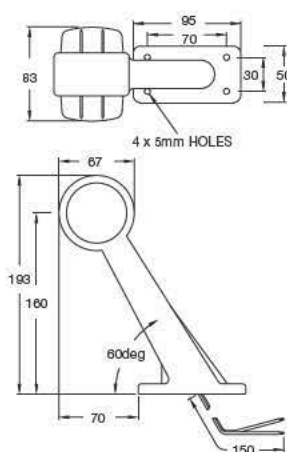
Front + rear. Lens uncoloured + red.

**427.200**  
**12V OR 24V**

Approved to TUV (Germany) standards "Carriage of dangerous goods".  
For LED version see page 72.

**Spare Parts**

10051.01233 Lens Uncoloured.  
10044.01233 Lens Red.  
12V Bulb L207.  
24V Bulb L149.



### 428 END OUTLINE MARKER BULB LAMP

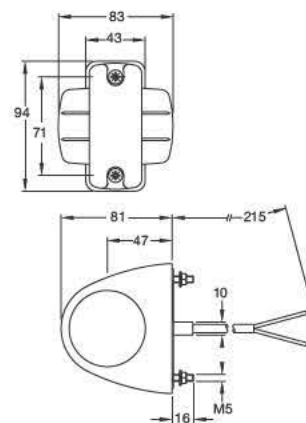
Front + rear. Lens uncoloured + red.

**428.104**  
**12V OR 24V**

Approved to TUV (Germany) standards "Carriage of dangerous goods".  
For LED version see page 73.

**Spare Parts**

10051.01233 Lens Uncoloured.  
10044.01233 Lens Red.  
13524.07 Bulbholder Assembly  
12V Bulb L207.  
24V Bulb L149.



### 429 END OUTLINE MARKER BULB LAMP

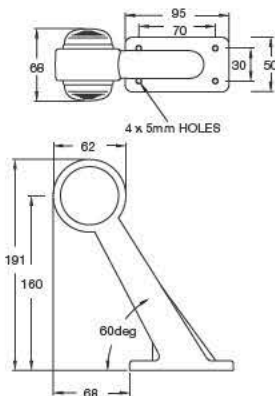
Front + rear. Lens uncoloured + red.

**429.00**  
**12V OR 24V**

Approved to TUV (Germany) standards "Carriage of dangerous goods".

**Spare Parts**

- 10251.03 Lens Uncoloured.
- 10251.04 Lens Red.
- 12V Bulb L207
- 24V Bulb L149



### 427 END OUTLINE MARKER BULB LAMP

Front + rear. Lens uncoloured + red.

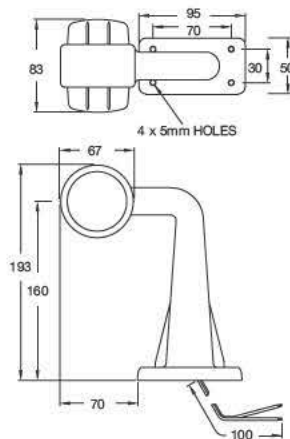
**427.300**  
**12V OR 24V**

Approved to TUV(Germany) standards "Carriage of dangerous goods"

For LED versions see page 73.

**Spare Parts**

- 10051.01233 Lens Uncoloured.
- 10044.01233 Lens Red.
- 12V Bulb L207.
- 24V Bulb L149.



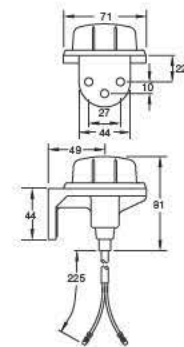
### 430/431 END OUTLINE MARKER BULB LAMP

Front or Rear. Lens uncoloured or red.  
Front - uncoloured. Rear - red.

**430.00**  
**431.00**  
**12V OR 24V**

**Spare Parts**

- 10047.7262 Lens Uncoloured.
- 10046.01262 Lens Red.
- 12V Bulb L209 (Double Contact).
- 24V Bulb L150 (Double Contact).



**Britax PMG** have been supplying lamps to the automotive industry for **over 60 years**. Originally founded as **PMG Thorpe Limited**

## 429 END OUTLINE MARKER BULB LAMP

Front + Rear. Lens uncoloured + red.

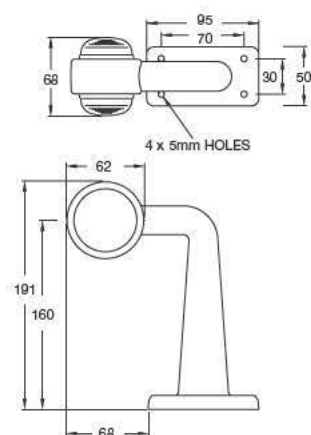
**429.600**  
**12V OR 24V**

Approved to TUV (Germany) standards "Carriage of dangerous goods".

Supplied in kit form less cable.

### Spare Parts

10251.03 Lens Uncoloured.  
10251.04 Lens Red.  
13235.00.10 Bulbholder (Pack Of 10).  
12V Bulb L207.  
24V Bulb L149.



## 429 END OUTLINE MARKER BULB LAMP

Front + Rear. Lens uncoloured + red.

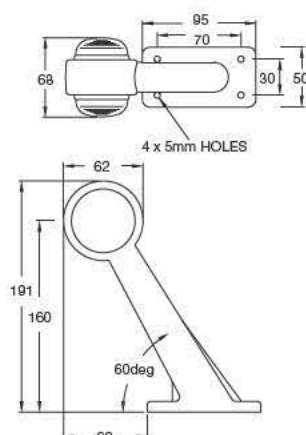
**429.500**  
**12V OR 24V**

Approved to TUV (Germany) standards "Carriage of dangerous goods".

Supplied in kit form less cable.

### Spare Parts

10251.03 Lens Uncoloured.  
10251.04 Lens Red.  
13235.00.10 Bulbholder (Pack Of 10).  
12V Bulb L207.  
24V Bulb L149.



## 429 END OUTLINE MARKER BULB LAMP

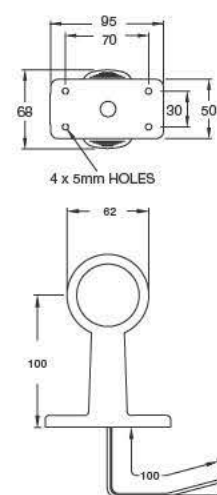
Front + Rear. Lens uncoloured + red.

**429.200**  
**12V OR 24V**

Approved to TUV (Germany) standards "Carriage of dangerous goods".

### Spare Parts

10251.03 Lens Uncoloured.  
10251.04 Lens Red.  
12V Bulb L207.  
24V Bulb L149.



### 429 END OUTLINE MARKER BULB LAMP

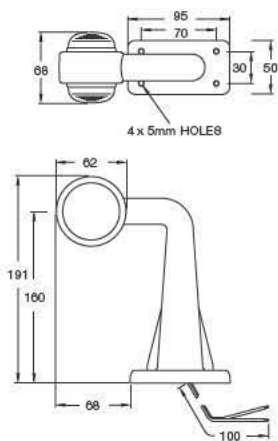
Front + rear. Lens uncoloured + red.

**429.100**  
**12V OR 24V**

Approved to TUV(Germany) standards  
"carriage of dangerous goods"

**Spare Parts**

10251.03 Lens Uncoloured.  
10251.04 Lens Red.  
12V Bulb L207.  
24V Bulb L149.



### 433 END OUTLINE MARKER BULB LAMP

Front + Rear. Lens uncoloured + red.

**433.00**  
**12V OR 24V**

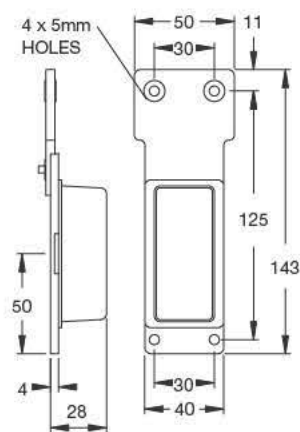
For vertical mounting only.

**Spare Parts**

12V Bulb F239.  
24V Bulb F242.



Other functions in this style available.



### 433 END OUTLINE MARKER BULB LAMP

Front + Rear. Lens uncoloured + red.

**433.01**  
**12V OR 24V**

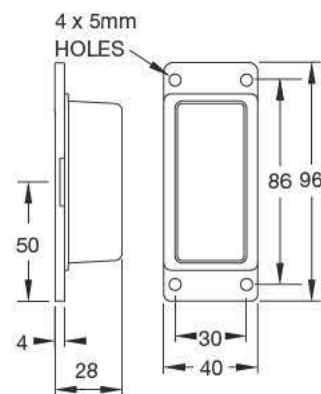
For vertical mounting only.

**Spare Parts**

12V Bulb F239.  
24V Bulb F242.



Other functions in this style available.



Please always  
**specify voltage**  
when ordering

### 434 END OUTLINE MARKER BULB LAMP

Front + Rear. Lens uncoloured + red.

**434.00**  
**12V OR 24V**

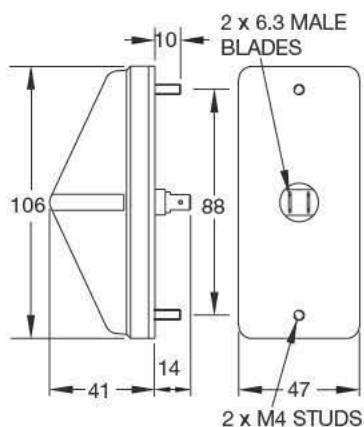
For horizontal mounting only. Direct replacement for Renault Trucks.

**Spare Parts**

18100.00 Bulbholder.  
12V Bulb L233.  
24V Bulb L249.



Other functions in this style available.



### L11 DIRECTION INDICATOR BULB LAMP

Front or rear. Lens amber.

**L11.01**  
**12V OR 24V**

For vertical or horizontal mounting.

**Spare Parts**

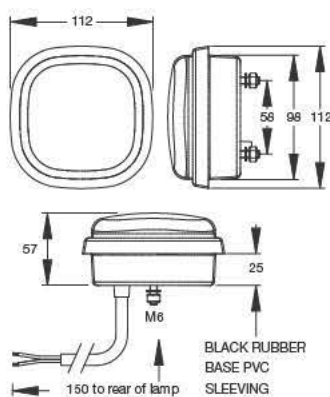
12508.02 Lens Amber.  
12V Bulb L382.  
24V Bulb L241.



Other functions in this style available.



CAT 1 & 2A



### L15 DIRECTION INDICATOR BULB LAMP

Front or rear.

**Lens amber L15.01**  
**Lens neutral density L15.101**  
**12V OR 24V**

**Spare Parts**

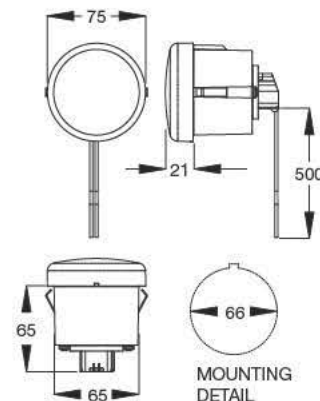
13585.00 Bulbholder.  
12V Bulb L382.  
24V Bulb L241.  
Clip fit into panel of thickness 3.5±1mm



Other functions in this style available.



CAT 1 & 2A



### 433 DIRECTION INDICATOR BULB LAMP

Supplementary side. Lens amber.

**433.02**  
**12V OR 24V**

For vertical mounting only

**Spare Parts**  
12V Bulb F239.  
24V Bulb F242.



Other functions in this style available.



### 434 DIRECTION INDICATOR BULB LAMP

Supplementary side. Lens amber.

**434.01**  
**12V OR 24V**

For horizontal mounting only.

Direct replacement for Renault Trucks.

**Spare Parts**  
18100.00 Lens Amber.  
12V Bulb L233.  
24V Bulb L249.



Other functions in this style available.



### 641/640 DIRECTION INDICATOR BULB LAMP

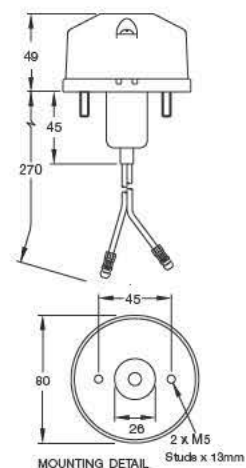
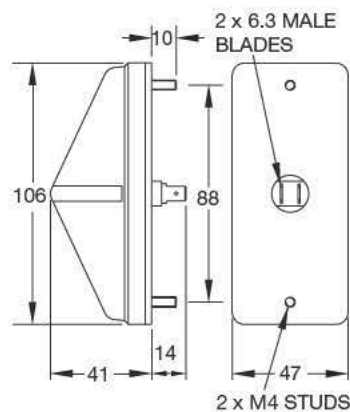
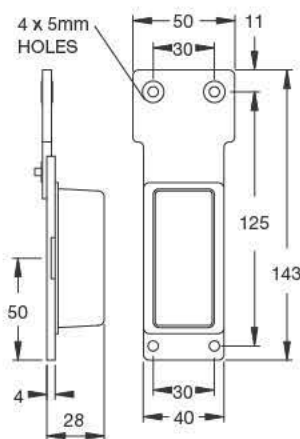
Front + Rear direction indicator. Lens amber.

**FRONT 641.00. REAR 640.00.**  
**12V OR 24V**

**Spare Parts**  
10100.02 Lens Front Amber.  
10100.01 Lens Rear Amber.  
12V Bulb L335.  
24V Bulb L346.



Other functions in this style available.



Lamps can be specified with  
**Dedicated cable lengths and  
connector combinations.**  
Call the **Britax** team for  
guidance

## 813 DIRECTION INDICATOR BULB LAMP

Supplementary side. Lens amber. Base white.

**813.00**  
**12V OR 24V**

For horizontal mounting only.

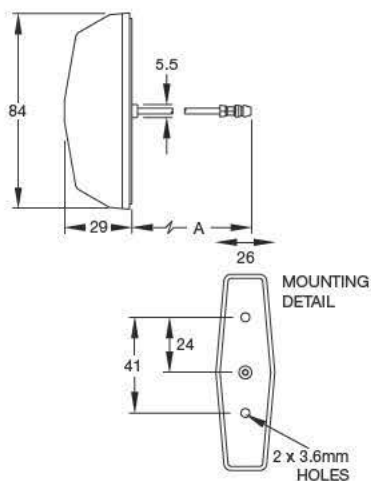
### Spare Parts

10006.6306 Lens Amber.  
12V Bulb F239.  
24V Bulb F242.

Dimension A = 520mm



Other functions in this style available.



## 816 DIRECTION INDICATOR BULB LAMP

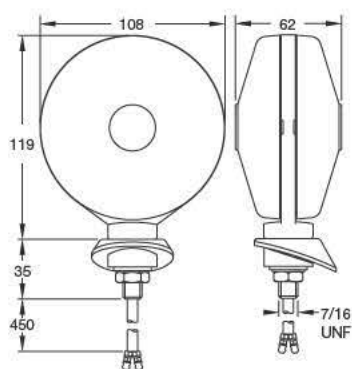
Front/Rear. Lens amber

**816.00**  
**12V OR 24V**

Insulated return version  
**816.01**

### Spare Parts

10110.00 Lens Amber Front.  
10110.01 Lens Amber Rear.  
12V Bulb L382. 24V Bulb L241.  
12V Bulb L335 (For 816.01).  
24V Bulb L346 (For 816.01)



## 823 DIRECTION INDICATOR BULB LAMP

Supplementary side. Lens amber.

**823.01**  
**12V OR 24V**

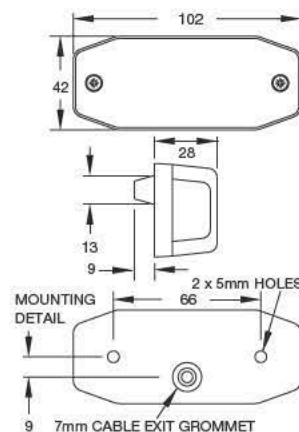
For horizontal mounting only

### Spare Parts

10412.02 Lens Amber.  
8011.00 Gasket External.  
12V Bulb F239.  
24V Bulb F242.



Other functions in this style available.



### 883 DIRECTION INDICATOR BULB LAMP

Supplementary side. Lens amber.

**883.00**  
**12V OR 24V**

Suitable for horizontal or vertical mounting.

#### Spare Parts

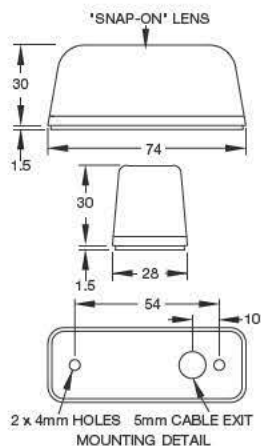
10430.01 Lens Amber.  
12V Bulb W501.  
24V Bulb W507



Other functions in this style available.



CAT 5



### 449 REAR POSITION BULB LAMP

Rear. Lens red.

**449.04**  
**12V OR 24V**

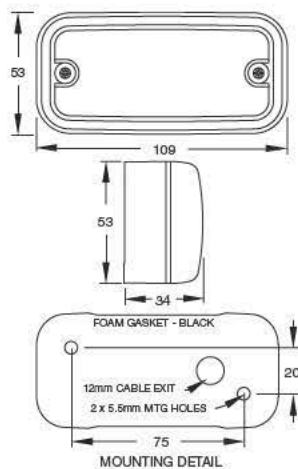
Suitable for horizontal or vertical mounting.

#### Spare Parts

10468.00 Lens Red.  
12V Bulb L233.  
24V Bulb L249.



Other functions in this style available.



### 614 REAR POSITION BULB LAMP

Rear. Lens red.

**614.00**  
**12V OR 24V**

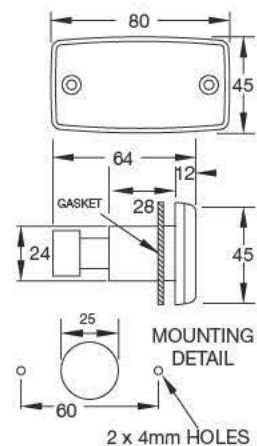
Suitable for horizontal or vertical mounting.

#### Spare Parts

1323.00 Bulb Holder + Seal.  
12261.00 Vertical Flat Bracket.  
12261.01 90° Vertical Bracket.  
15281.00 Gasket.  
12V Bulb W502.  
24V Bulb W504.



Other functions in this style available.





## 824 REAR POSITION BULB LAMP

Rear (for recessed mounting only). Lens red.

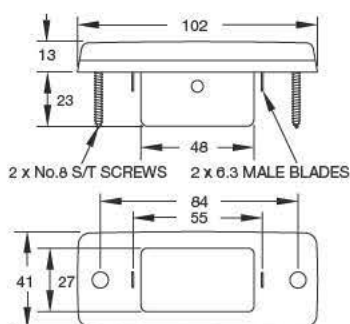
**824.01**  
**12V OR 24V**

Suitable for horizontal or vertical mounting as fitted to CNH.

**Spare Parts**  
10413.00 Lens Red.  
12V Bulb F239.  
24V Bulb F242



Other functions in this style available.



## 825 REAR POSITION BULB LAMP

Rear. Lens red.

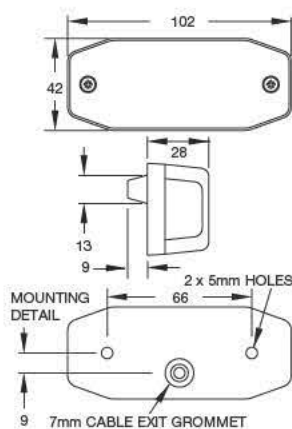
**825.01**  
**12V OR 24V**

For horizontal mounting only

**Spare Parts**  
10412.00 Lens Red.  
8011.00 Gasket External.  
12V Bulb F239.  
24V Bulb F242



Other functions in this style available.



## 882 REAR POSITION BULB LAMP

Rear lens red.

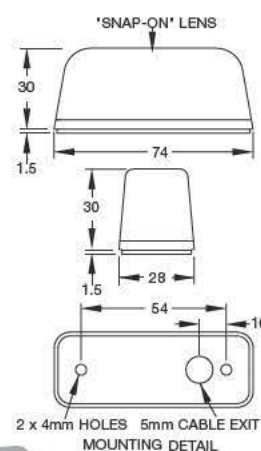
**882.00**  
**12V OR 24V**

Suitable for horizontal or vertical mounting

**Spare Parts**  
10430.03 Lens Red.  
12V Bulb W501.  
24V Bulb W507.



Other functions in this style available.



**Britax PMG** have been supplying lamps to the automotive industry for **over 60 years**. Originally founded as **PMG Thorpe Limited**

### 638 REAR POSITION/ STOP BULB LAMP

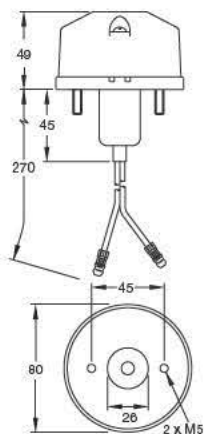
Rear lens red.

**638.00**  
**12V OR 24V**

**Spare Parts**  
10102.01 Lens Red.  
12V Bulb L380.  
24V Bulb L334.



Other functions in this style available.



### L15 REAR POSITION/ STOP BULB LAMP

L15.02 Rear Position Red.  
L15.102 Rear Position Neutral Density.  
L15.03 Stop/Rear position Red.  
L15.103 Stop/Rear position Neutral Density.  
L15.04 Stop Red.  
L15.104 Stop Neutral Density.

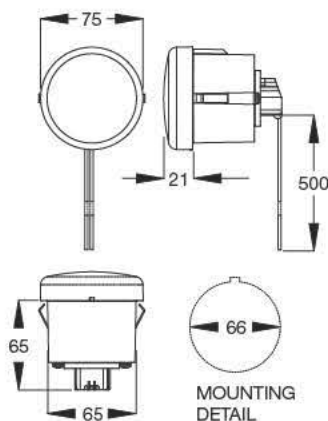
**L15 RANGE**  
**12V OR 24V**

Clip fit into panel of thickness 3-5±1mm

**Spare Parts**  
13585.02 Bulbholder Rear Position.  
13585.01 Bulbholder Stop/Rear Position.  
13585.00 Bulbholder Stop.  
12V Bulb Rear Position L207.  
24V Bulb Rear Position L149.  
12V Bulb Stop/Tail L380.  
24V Bulb Stop/Tail L334.  
12V Bulb Stop L382.  
24V Bulb Stop L241.



Other functions in this style available.



### L11 REAR POSITION/STOP BULB LAMP

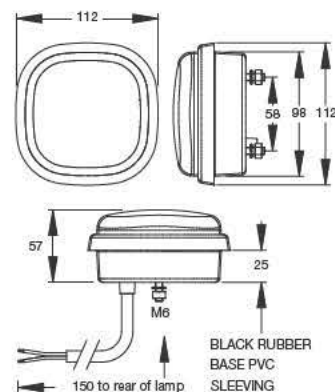
Rear position/stop. Lens red.

**L11.03**  
**12V OR 24V**

**Spare Parts**  
12508.01 Lens Red.  
12V Bulb L380.  
24V Bulb L334.



Other functions in this style available.



Please always  
**specify voltage**  
when ordering

## 740 REAR BULB FOG LAMP

Rear Fog. Lens red.

**740.00**  
**12V OR 24V**

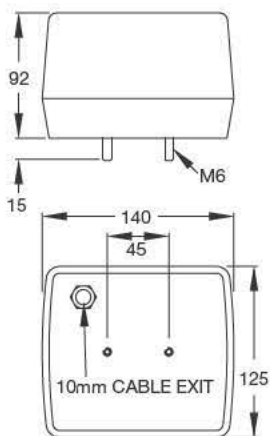
For horizontal mounting only.  
As fitted to Renault and Scania.

### Spare Parts

10270.00 Lens Red.  
12V Bulb L382.  
24V Bulb L241.



Other functions in this style available.



## 738 REAR BULB FOG LAMP

Rear fog. Lens red.

738.00 Rear Fog with mounting bracket.  
738.00.NB Rear Fog without mounting bracket.

738.01 Rear Fog with mounting bracket with cables 350mm long.

738.01.NB Rear Fog without mounting brackets with cables 350mm long.

**738 series**  
**12V OR 24V**

For horizontal mounting only.

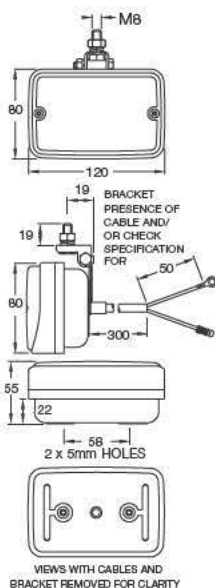
.NB versions mounting details: Two holes on horizontal plane 58 crs Threaded M5 x 6.5 deep.

### Spare Parts

10254.00 Lens Red.  
12V Bulb L382.  
24V Bulb L241.



Other functions in this style available.



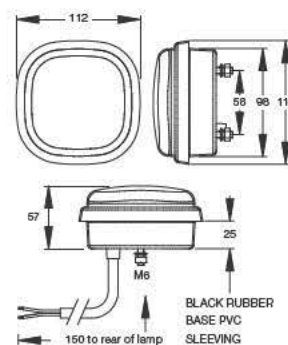
## L11 REAR FOG BULB LAMP

Rear fog. Lens red.

**L11.06**  
**12V OR 24V**

### Spare Parts

10512.00 Lens Red.  
13253.00 Bulbholder.  
12V Bulb L382.  
24V Bulb L241.



Lamps can be specified with **Dedicated cable lengths and connector combinations.**  
Call the **Britax** team for guidance

### 742 REVERSING BULB LAMP

Reverse. Lens uncoloured

**742.00**  
**12V OR 24V**

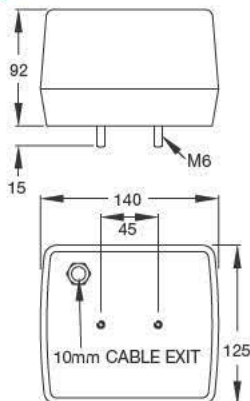
For horizontal mounting only.  
As fitted to Renault and Scania.

**Spare Parts**

10270.01 Lens Uncoloured.  
12V Bulb L382.  
24V Bulb L241.



Other functions in this style available.



### 739 REVERSING BULB LAMP

Reverse. Lens uncoloured with mounting bracket.

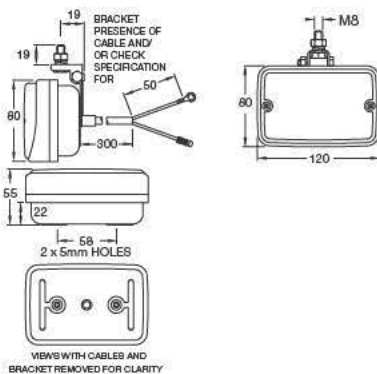
**739.00**  
**12V OR 24V**

**Spare Parts**

10255 Lens Uncoloured.  
12V Bulb L382.  
24V Bulb L241.



Other functions in this style available.



### 9300 REAR BULB COMBINATION LAMP

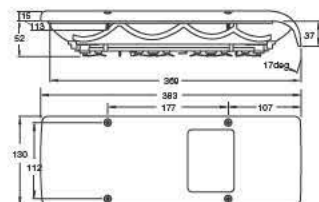
Position rear, stop, fog, direction indicator. reverse. Lens neutral density.

**9300.00**  
**12V only**

For use on caravans/trailers equipped with 12n and 12s plugs.

**Spare Parts**

12V Bulbs 2 x L382. 1 x L335. 1 x L566.



There are over **500 models** of mandatory and auxiliary function lamps in the Britax range

**L03 REAR BULB COMBINATION LAMP**

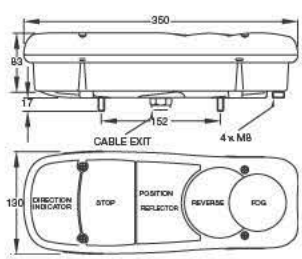
Red/amber/uncoloured.  
 Position (side), stop, reverse, direction indicator, fog and reverse.  
 L03.01 LH or RH with AMP connector fitted + 12 volt bulbs. Vertical mounting as supplied.  
 L03.02 LH with gland cable exit.  
 L03.03 RH with gland cable exit. Horizontal mounting as supplied.  
 L03.06 LH or RH with AMP connector fitted + 12V bulbs. Horizontal mounting as supplied.

**L03 series 12V OR 24V**

Suitable for horizontal or vertical mounting (check lamp detail). As fitted to DAF, Renault, Nissan, Fruehauf Trailers, Manitou.

**Spare Parts**

- 10001.00 Lens Red/Amber/Uncoloured.
- 12V Bulbs 4 x L382 2 x L245.
- 24V Bulbs 4 x L241 2 x L246.



**L12 REAR BULB COMBINATION LAMP**

Red/amber/uncoloured.  
 L12.00 Front position + direction indicator.  
 L12.01 stop/rear position + direction indicator.  
 L12.02 stop/rear position/reflex + direction indicator.  
 L12.03 stop/rear position + reverse.  
 L12.04 stop/rear position/reflex + reverse.  
 L12.05 Reverse + fog.  
 L12.06 Reverse + direction indicator.

**L12 series 12V OR 24V**

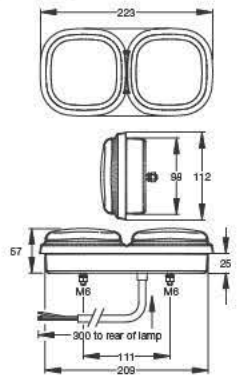
For horizontal or vertical mounting. For LED versions IP67 rated see page 73.

**Spare Parts**

- 12508.05 Lens Front Position.
- 12508.02 Lens Front/Rear Di.
- 12508.01 Lens Stop/Rear Position.
- 12508.06 Lens Stop/Rear Position/Reflex.
- 12508.04 Lens Reverse.
- 10512.00 Lens Fog.
- 12307.00 Parabolic Reflector Fog.
- 13253.00 Bulbholder.
- 13253.01 Bulbholder - Stop/Rear Position Lamp Only.
- Bulbs 12V L207 Front Position (Side).
- 24V L149 Front Position (Side).
- 12V L382 Direction Indicator, Rear Fog, Reverse.
- 24V L241 Direction Indicator, Rear Fog, Reverse.
- 12V L380 Stop/Rear Position.
- 24V L334 Stop/Rear Position.



Other functions in this style available.



**L13 REAR BULB COMBINATION LAMP**

Red/amber/uncoloured.  
 L13.00 stop/rear position + direction indicator + reverse.  
 L13.01 stop/rear position + direction indicator + fog.  
 L13.02 stop/rear position/reflex + direction indicator + reverse.  
 L13.03 stop/rear position/reflex + direction indicator + fog.

**L13 series 12V OR 24V**

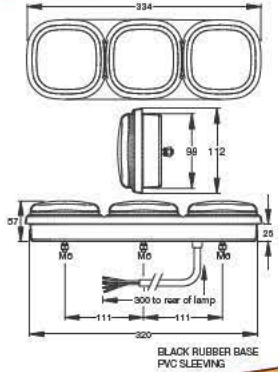
For horizontal or vertical mounting. For LED versions see page 74. IP67 rated.

**Spare Parts**

- 12508.05 Lens Front Position.
- 12508.02 Lens Front/Rear Di.
- 12508.01 Lens Stop/Rear Position.
- 12508.06 Lens Stop/Rear Position/Reflex.
- 12508.04 Lens Reverse.
- 10512.00 Lens Fog.
- 12307.00 Parabolic Reflector Fog.
- 13253.00 Bulbholder.
- 13253.01 Bulbholder - Stop/Rear Position Lamp Only.
- Bulbs 12V L382 Direction Indicator, Rear Fog, Reverse.
- 24V L241 Direction Indicator, Rear Fog, Reverse.
- 12V L380 Stop/ Rear Position.
- 24V L334 Stop/Rear Position.



Other functions in this style available.



### L01 REAR COMBINATION BULB LAMP

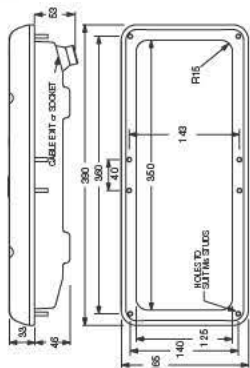
L01.00 rear position, stop, direction indicator, reverse, rear fog + reflex reflector. Top entry socket.  
 L01.01 As .00 with M5 mounting bolts.  
 L01.02 As .00 but with top entry cables 500mm long.

**L01 series**  
**12V OR 24V**

For horizontal or vertical mounting. For LED version see page 74.

#### Spare Parts

18542.00 Polycarbonate Lens.  
 15296.00 Lens Gasket.  
 959.00 Socket Connection Kit.  
 12V Bulbs 4 X L382. 4 X L207.  
 24V Bulbs 4 X L290. 4 X L248.  
 15252.00 Gasket (Base To Vehicle).



### 9002/9003 REAR COMBINATION BULB LAMP

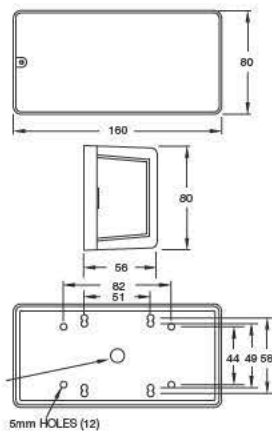
Amber/red/uncoloured.  
 9002.50 Rear position, stop, direction indicator + registration plate.  
 9003.50 As 9002.50 but without registration plate function. Insulated return.

**9002/9003**  
**12V OR 24V**

9002.50 for horizontal mounting only.  
 9003.50 for horizontal or vertical mounting.

#### Spare Parts

10351.00 Lens Red/Amber/Uncoloured (9002.50).  
 10351.01 Lens Red/Amber (9003.50).  
 12V Bulbs L382, L380.  
 24V Bulbs L241, L334.



### 9059 REAR COMBINATION BULB LAMP

Red/amber/rear position, stop, direction indicator and reflex reflector.

**9059.00 Right hand 9059.01 Left hand**  
**12V OR 24V**

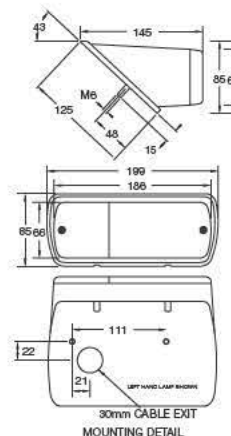
For horizontal mounting only.

#### Spare Parts

10457.00 Lens Amber/Red.  
 12V Bulbs 1 x L382. 1 x L380.  
 24V Bulbs 1 x L241. 1 x L334.



Other functions in this style available.



**Britax PMG** have been supplying lamps to the automotive industry for **over 60 years**. Originally founded as **PMG Thorpe Limited**

## 9088/9089 REAR COMBINATION BULB LAMP

9088.00 rear position, stop, direction indicator, + registration plate lamp. Lens amber/red/uncoloured.  
9089.00 without registration plate function. Lens amber/red.

**9088.00/9089.00**  
**12V only**

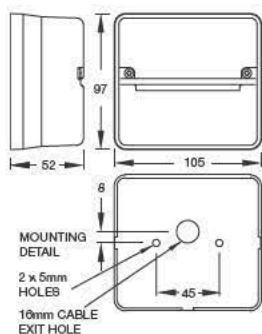
For horizontal or vertical mounting.

### Spare Parts

10365.00 Lens Amber/Red/Uncoloured.  
10366.00 Lens Amber/Red.  
12V Bulb 1 x L380. 1 x L382.



Other functions in this style available.



## 9020 REAR COMBINATION BULB LAMP

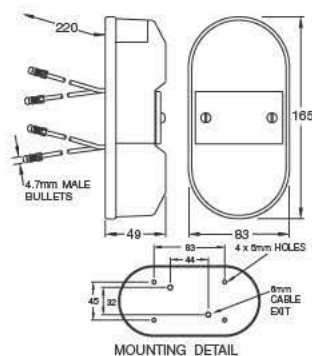
9020.00 rear position, stop, direction indicator, registration plate + reflex reflector. Lens amber/red/uncoloured.  
9020.01 Without registration plate function. Lens amber/red.

**9020.00/9020.01**  
**12V OR 24V**

For horizontal or vertical mounting.

### Spare Parts

10103 Lens Amber/Red/Uncoloured And Reflex.  
10104 Lens Amber/Red And Reflex.  
10139.00 Reflector Reflex.  
12V Bulbs 1 x L380 1 x L382.  
24V Bulbs 1 x L334 1 x 241.



## 9008 REAR COMBINATION BULB LAMP

Rear position, stop and direction Indicator. Lens amber/red.

**9008.00**  
**12V OR 24V**

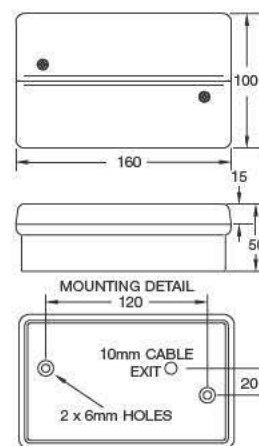
For horizontal mounting.

### Spare Parts

10400.00 Lens Amber/Red.  
12V Bulbs 1 x L380 1 x L382.  
24V Bulbs 1 x L334 1 x L241.



Other functions in this style available.



Lamps can be specified with  
**Dedicated cable lengths and  
connector combinations.**  
Call the **Britax** team for  
guidance

### 9004 REAR COMBINATION BULB LAMP

Position (side), Stop, direction Indicator + reflex reflector.  
Lens amber/red.

**9004.00**  
**12V OR 24V**

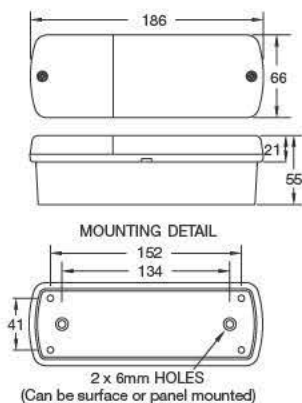
Insulated return. Note: Some applications will require to have 'Knock outs' removed. For horizontal or vertical mounting.

**Spare Parts**

10457.00 Lens Amber/Red.  
12V Bulbs 1 x L380 1 x L382.  
24V Bulbs 1 x L334 1 x L241.



Other functions in this style available.



### 815 REAR POSITION BULB LAMP

Rear. Lens red.

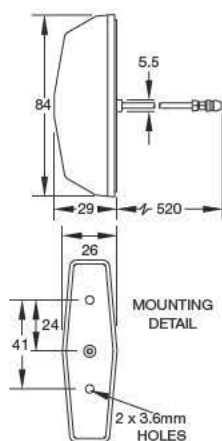
**815.01**  
**12V OR 24V**

**Spare Parts**

10054 Lens Red.  
12V Bulb F239.  
24V Bulb F242.



Other functions in this style available.



### L11 REVERSING BULB LAMP

Rear. Lens uncoloured.

**L11.05**  
**12V OR 24V**

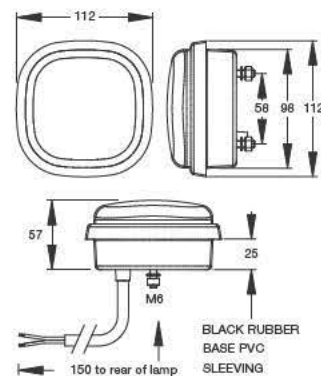
IP67

**Spare Parts**

12508.04 Lens Uncoloured.  
13253.00 Bulbholder.  
12V Bulb L382.  
24V Bulb L241.



Other functions in this style available.





## 867 REAR REGISTRATION PLATE BULB LAMP

**867.00** Uncoloured.  
**867.50** as .00 but insulated return.

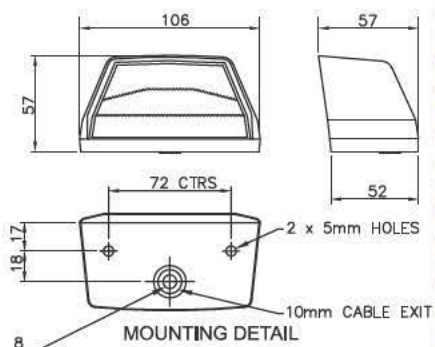
**867**  
**12V OR 24V**

Approved to Germany (TUV) standards "carriage of dangerous goods" (867.50 only).

Suitable for long plate (520mm x 120mm) and square plate (340mm x 240mm).

### Spare Parts

10391.00 Lens Uncoloured.  
 12152.00 Cover Black.  
 12V Bulb L245.  
 24V Bulb L246.



## 868 REAR REGISTRATION PLATE BULB LAMP

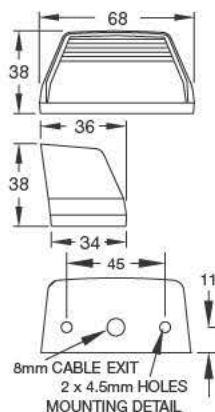
**868.00** Uncoloured.  
**868.50** as .00 but insulated return.

**868**  
**12V OR 24V**

Suitable for long plate (520mm x 120mm) and square plate (340mm x 240mm).

### Spare Parts

10371.10 Lens Uncoloured.  
 12139.01 Cover Black.  
 13182.00 Plinth With Gasket.  
 12V Bulb F239.  
 24V Bulb F242.



## 895/896 AWNING BULB LAMP

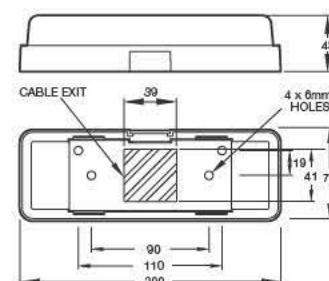
**895.00** without switch.  
**896.00** with 2 way switch.  
 Lens opal/base white.

**895/896**  
**12V OR 24V**

21W bulb versions: for use on metal mounting surfaces only. Supplied with gasket for exterior mounting.

### Spare Parts

10349.00 Lens Opal.  
 14129 2 Way Switch.  
 5W Bulbs 12V L207 24V L149.  
 10W Bulbs 12V L245 24V L246.  
 21W Bulbs 12V L382 24V L241.



Please always  
**specify voltage**  
 when ordering

### 892/893/894 INTERIOR BULB LAMP

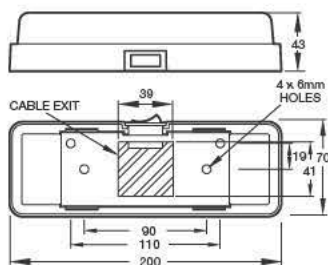
**892** Opal. Interior lamp with 2 way switch.  
**893** Interior lamp with 3 way switch.  
**894** Interior lamp without switch.  
 Add suffix for base colours: **.00** White. **.01** Black. **.02** Grey.

**892/893/894**  
**12V OR 24V**

21w bulb versions: for use on metal mounting surfaces only. Interior mount only.

#### Spare Parts

14129 2 Way Switch.  
 14202.00 3 Way Switch.  
 10349.00 Lens Opal.  
 5W Bulb 12V L207 24V L149.  
 10W Bulb 12V L245 24V L246.  
 21W Bulb 12V L382 24V L241.



### 707/708 INTERIOR BULB LAMP

**707.100** with 2 way switch.  
**708.100** without switch. Lens uncoloured.

**707.100/708.100**  
**12V OR 24V**

#### Spare Parts

10330.00 Lens Uncoloured.  
 14129 2 Way Switch.  
 12V Bulb L335.  
 24V Bulb L346.



### 897 INTERIOR BULB LAMP

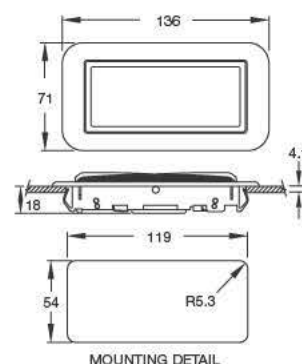
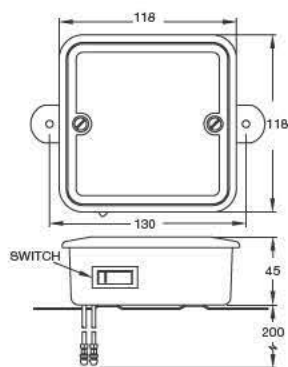
Uncoloured. Clip fixing. Integral lens/switch. 4.8mm male blade terminals.

**897.00**  
**12V OR 24V**

For LED version please see page 78.

#### Spare Parts

12V F272  
 24V F274.  
 12386.00 - Surface Mounting Adaptor



MOUNTING DETAIL

**Halogen Bulb Worklamps generate heat.** Please ensure these lamps are on for no more than 2 hours continuous use. Then switch off and allow to cool.

## L17 HALOGEN BULB WORK LAMPS

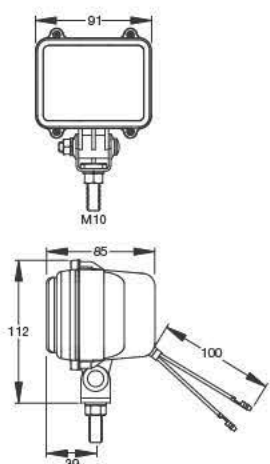
**L17.00** Flood.  
**L17.100** Spot.

**L17**  
**12V ONLY**

Lamps supplied less bulb.  
For LED worklamps please see page 83.

### Spare Parts

18549.00 Lens Assembly, Flood.  
18549.01 Lens Assembly, Spot.  
12V Bulb H453.  
24V Bulb H460.



## L18 HALOGEN BULB (X2) WORK LAMP

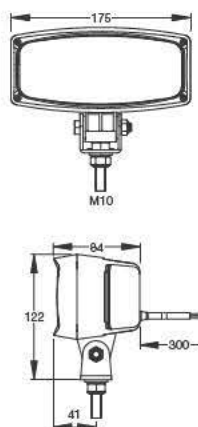
**L18.00** Duo power flood.  
**L18.100** Duo power spot.

**L18**  
**12V OR 24V**

Lamps supplied less bulb.  
For LED worklamps please see page 83.

### Spare Parts

18550.00 Lens Assembly, Flood.  
18550.01 Lens Assembly, Spot.  
12V Bulbs 2 X H453.  
24V Bulbs 2 X H460.



## L20 HALOGEN BULB WORK LAMP

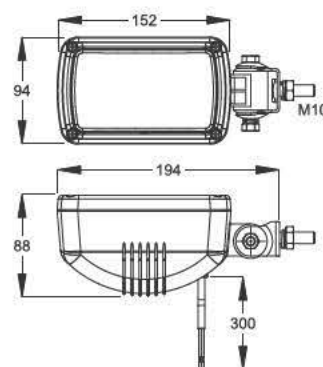
**L20.00** Flood.  
**L20.100** Spot. Side Mounting.

**L20**  
**12V OR 24V**

Lamps supplied less bulb.  
For LED worklamps please see page 83.

### Spare Parts

18551.00 Lens Assembly Flood.  
18551.01 Lens Assembly Spot.  
12V Bulb H453.  
24V Bulb H460.



Lamps can be specified with  
**Dedicated cable lengths and  
connector combinations.**  
Call the **Britax** team for  
guidance

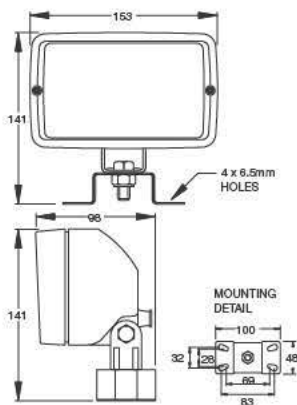
### 5814 HALOGEN BULB WORK LAMP

Work lamp, plastic body

**5814.00**  
**12V OR 24V**

Lamps supplied less bulb.  
For LED worklamps please see page 83.

**Spare Parts**  
12V Bulb H453.  
24V Bulb H460



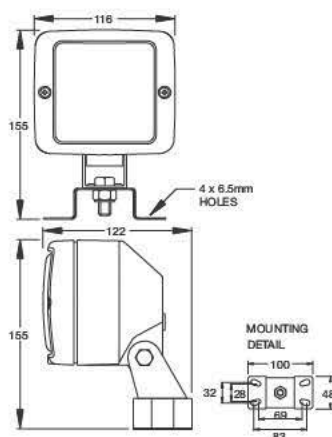
### 5815 HALOGEN BULB WORK LAMP

Work lamp, plastic body

**5815.00**  
**12V OR 24V**

Lamps supplied less bulb.  
For LED worklamps please see page 83.

**Spare Parts**  
12V Bulb H453.  
24V Bulb H460  
Alternative specification available:  
5815.08.LB



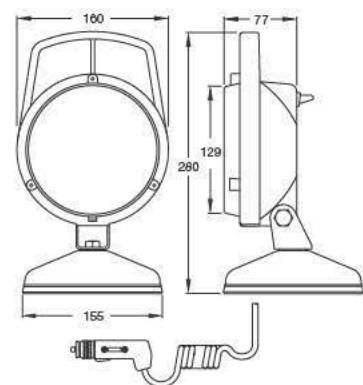
### 5833 HALOGEN BULB WORK LAMP

Work lamp with magnetic base/switch

**5833.02**  
**12V OR 24V**

Lamps supplied less bulb.  
For LED worklamps please see page 83.

**Spare Parts**  
10480.00 Lens Assembly.  
12253.00 Lens Grill.  
12V Bulb H453.  
24V Bulb H460.



## 5833 HALOGEN BULB WORK LAMP

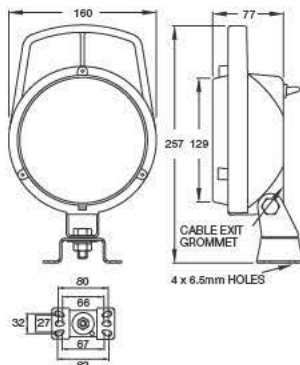
With switch.

**5833.00**  
**12V OR 24V**

Lamps supplied less bulb.  
For LED worklamps please see page 83.  
Approved to TUV (Germany) standards.  
"Carriage of dangerous goods"

### Spare Parts

10480.00 Lens Assembly.  
12253.00 Lens Grill.  
12V Bulb H453.  
24V Bulb H460.



## L62 HALOGEN BULB WORK LAMP

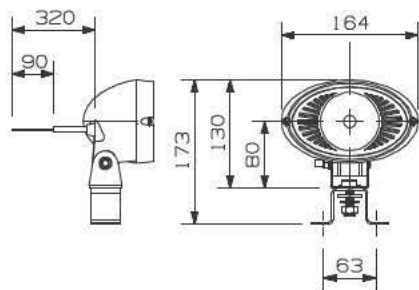
**L62.00** Flood. **L62.100** Spot.  
Uncoloured.

**L62**  
**12V OR 24V**

For LED worklamps see page 83. Lamps  
supplied less bulb.

### Spare Parts

12V Bulb H453.  
24V Bulb H460



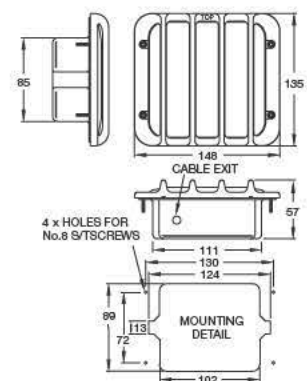
## 869 AUXILIARY BULB LAMP

Uncoloured. 'Step lamp' with lens guard.

**869.00**  
**12V OR 24V**

### Spare Parts

10330.00 Lens Uncoloured.  
28038 Guard.  
16027 Screw Lens Fix.  
16173 Screw Mounting.  
10W Bulb 12V L245 24V L246.  
21W Bulb 12V L382 24V L241.



**Halogen Bulb Worklamps generate heat.** Please ensure these lamps are on for no more than 2 hours continuous use. Then switch off and allow to cool.

### 5825 BULB HEADLAMP

L.H Dip for left hand or right hand application.

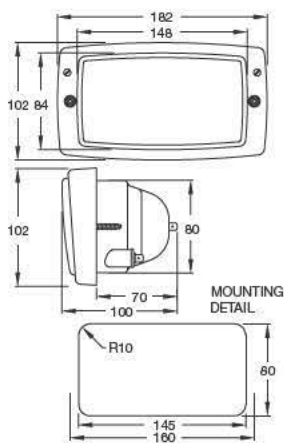
**5825.00**  
12V OR 24V

**5825.01 RH DIP**  
RH Dip for left hand or right hand applications

For horizontal mounting only.

#### Spare Parts

10484.00 Spare Lens.  
12W Bulbs 1 x H472 1 x L233.  
24W Bulbs 1 x H475 1 x L249.



### 5811 HEADLAMP/ DIRECTION INDICATOR BULB COMBINATION

Uncoloured/amber.

**5811.102** LH Dip Beam RH Fit.

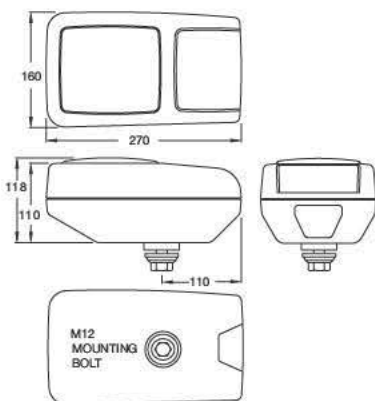
**5811.103** LH Dip Beam LH Fit.

**5811.102/5811.103**  
12V OR 24V

For horizontal mounting only.

#### Spare Parts

988.00 Reflector/Glass LH Dip.  
16373.00 Body/Bezel screw.  
12V Bulbs 1 x H472 1 x L233 1 x L382.  
24V Bulbs 1 x H475 1 x L249 1 x 241.



For **LED**  
Worklamps  
See page 83

**L28 HALOGEN BULB/LED POSITION DRIVING LAMP**

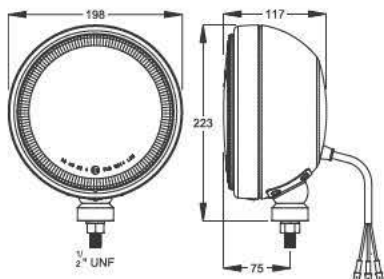
**L28.00** Clear lens, LED position lamp.  
**L28.01** Blue tint lens, LED position lamp.

**L28**  
**12V OR 24V**

Supplied with bulbs fitted, specify voltage when ordering.

**Spare Parts**

18552.00 Lens Assembly Uncoloured.  
18552.01 Lens Assembly Blue Tint.  
13591.00 Led Ring Unit, Dual Voltage 12V Or 24V.  
12355.00 Lens Protective Cover.  
12V Bulb 1 x H453. 24V bulb 1 x H460.



**L27 HALOGEN BULB DRIVING LAMP**

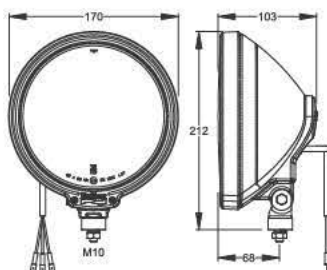
**L27.00** Clear lens.  
**L27.01** Blue tint lens.

**L27**  
**12V OR 24V**

Supplied with bulbs fitted, specify voltage when ordering.

**Spare Parts**

18553.00 Lens Assembly Uncoloured.  
18553.01 Lens Assembly Blue Tint.  
12354.00 Lens Protective Cover.  
12V Bulbs 1 x H453, 1 x W501.  
24V Bulb 1 x H460, 1 x W507.



**L09 HALOGEN BULB DRIVING LAMP**

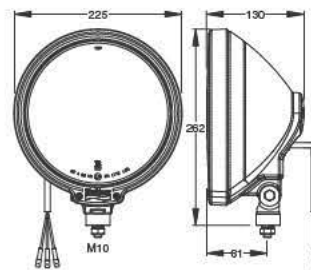
**L09.00** Clear lens.  
**L09.01** Blue tint lens.

**L09**  
**12V OR 24V**

Supplied with bulbs fitted, specify voltage when ordering.

**Spare Parts**

18548.00 Lens Assembly Uncoloured.  
18548.01 Lens Assembly Blue Tint.  
12338.00 Lens Protective Cover.  
12V Bulbs 1 x H453, 1 x W501.  
24V Bulbs 1 x H460, W507.



Lamps can be specified with  
**Dedicated cable lengths and  
connector combinations.**  
Call the **Britax** team for  
guidance

### L41 SIDE MARKER LED LAMP WITH REFLEX REFLECTOR

Amber/red/uncoloured. **L41.00.LDV** amber. **L41.01.LDV** red. **L41.02.LDV** uncoloured. Marker lamps with reflex reflector.

#### L41 Dual Voltage

For horizontal mounting only

**Spare Parts**  
12376.00 90° Bracket



### L16 SIDE MARKER LED LAMP WITH REFLEX REFLECTOR

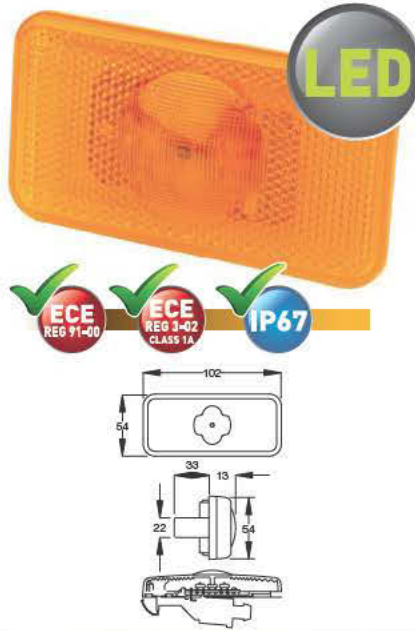
Side marker - amber

**L16.00. L24V**

For vertical or horizontal mounting.

#### Spare Parts

K07.00 Cable/Connector Harness



### L427 END OUTLINE MARKER LED LAMP

Red/uncoloured. Rear + front.

**L427.200**

**12V OR 24V specify voltage**

For bulb version see page 49.

#### Spare Parts

29282.00 Led Light Unit Uncoloured 12V.  
29282.01 Led Light Unit Uncoloured 24V.  
29283.00 Led Light Unit Red 12V.  
29283.01 Led Light Unit Red 24V.



### L06 SIDE MARKER LAMP

Amber. **L06.00.12v/.24v** no bracket. **L06.01.24v** with 90° bracket. Complete with two stainless steel M4 mounting screws.

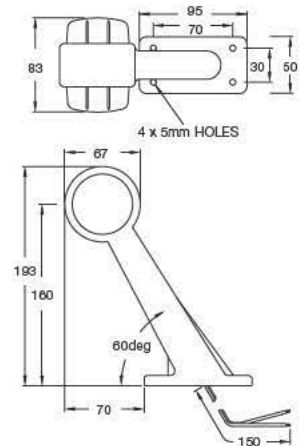
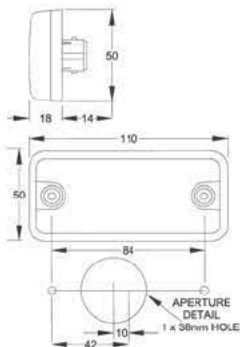
#### L06

**12V OR 24V**

A lamp harness or connector is required for fitting. For vertical or horizontal mounting.

#### Spare Parts

13568.00 Lamp Harness (3.7Mt) for series connection.





## L427 END OUTLINE MARKER LED LAMP

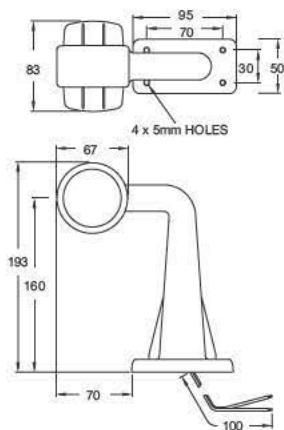
red/uncoloured. Rear + front

**L427.300**  
12V OR 24V specify voltage

For bulb version see page 50.

### Spare Parts

- 29282.00 Led Light Unit Uncoloured 12V.
- 29282.01 Led Light Unit Uncoloured 24V.
- 29283.00 Led Light Unit Red 12V.
- 29283.01 Led Light Unit Red 24V.



## L428 END OUTLINE MARKER LAMPS

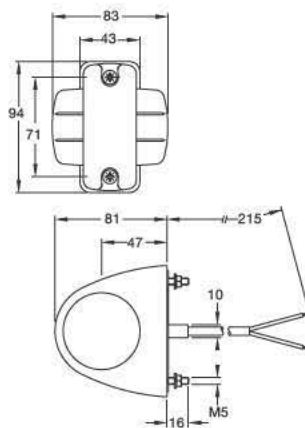
red/uncoloured. Rear + front.

**L428.104**  
12v or 24v specify voltage

For bulb version see page 49.

### Spare Parts

- 29282.00 Light Unit Uncoloured 12V.
- 29282.01 Light Unit Uncoloured 24V.
- 29283.00 Light Unit Red 12V.
- 29283.01 Light Unit Red 24V.



## L12 REAR COMBINATION LED LAMP

Amber/red/uncoloured.

**L12.01.L12V** stop/rear position + direction indicator 12V.

**L12.01.L24v** stop/rear position + direction indicator 24V.

**L12.16.L12V** Fog + incandescent bulb reverse 12V.

**L12.16.L24V** Fog + incandescent bulb reverse 24V.

### L12 Series

12V OR 24V specify voltage when ordering.

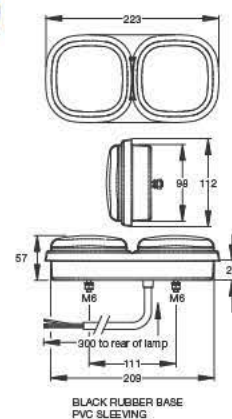
For vertical or horizontal mounting. For bulb versions see page 61.

### Spare Parts

- 29281.00 Led Light Unit - Direction Indicator 12V.
- 29281.01 Led Light Unit - Direction Indicator 24V.
- 29280.00 Led Light Unit - Stop/Rear Position 12V.
- 29280.01 Led Light Unit Stop/Rear Position 24V.
- 29286.00 Led Light Unit - Fog 12V.
- 29286.01 Led Light Unit - Fog 24V.
- 12508.04 Lens Reverse - Uncoloured.
- Bulb 12V L382. Bulb 24V L241.



Reverse available in LED Summer 2011



BLACK RUBBER BASE  
PVC SLEEVING

**NEW LED Lamp variants being added.**  
Please contact **Britax** for latest range

A 'smart load device' is available to ensure correct operation of LED mandatory direction indicator lamps. Ask our customer service team for details

### L13 REAR COMBINATION LED LAMP

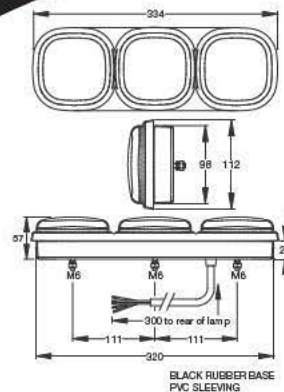
- L13.00.L12V** stop/rear position + direction indicator + incandescent bulb reverse 12volt.
- L13.00.L24V** stop/rear position + direction indicator + incandescent bulb reverse 24volt.
- L13.13.L12V** stop/rear position + direction indicator + fog 12 volt.
- L13.13.L24V** stop/rear position + direction indicator + fog 24volt.

For vertical or horizontal mounting. For bulb version see page 61.

#### Spare Parts

- 29281.00 Direction Indicator Led Light Unit 12 Volt.
- 29281.01 Direction Indicator Led Light Unit 24 Volt.
- 29280.00 Stop/Rear Position Led Light Unit 12 Volt.
- 29280.01 Stop/Rear Position Led Light Unit 24 Volt.
- 29286.00 Fog Led Light Unit 12 Volt.
- 29286.01 Fog Led Light Unit 24 Volt.
- 12508.04 Lens (Reverse) Uncoloured.
- L382 Bulb 12V.
- L241 Bulb 24V.

Reverse available in LED Summer 2011



### L25 REAR COMBINATION LED LAMP

red/amber/uncoloured.

**L25.10.L12V** or L24V Rear position, stop, direction indicator, fog, incandescent bulb reverse and reflex reflector. Top entry socket.

**L25.20.L12V** or L24V As .10 but with top entry cables, 500mm long.

#### L25

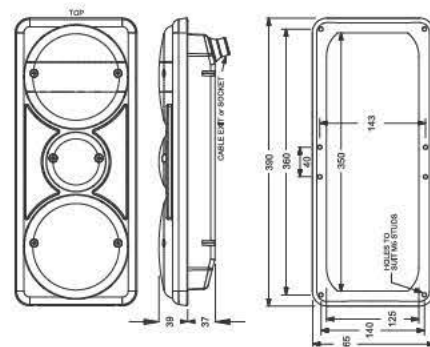
**12V OR 24V specify voltage**

**Vertical mounting only**

For bulb version see page 62.

#### Spare Parts

- 29290.00 Side/Stop/Di Led Unit 12V.
- 29290.01 Side/Stop/Di Led Unit 24V.
- 29291.00 Fog Led Unit 12V.
- 29291.01 Fog Led Unit 24V.
- 1352.00 Lens Reverse Uncoloured.
- 1352.01 Front Bezel Including Reflex Reflectors.
- 959.00 Socket Connection Kit.
- 13609.00 Reverse Lens Spare Kit.



**NEW LED Lamp variants being added.**  
Please contact **Britax** for latest range

**L14 REAR COMBINATION LED LAMPS**

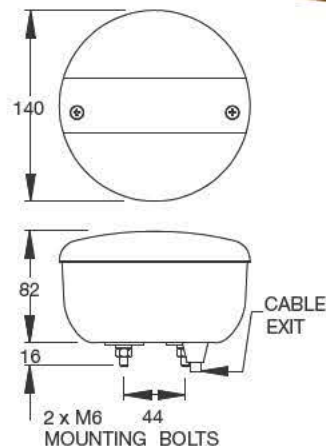
**L14.10**

**12V OR 24V specify voltage when ordering.**

Red/amber.

L14.10.L12v Stop/Rear Position + Direction Indicator 12V.

L14.10.L24v Stop/Rear Position + Direction Indicator 24V.



**L14.11**

**12V OR 24V specify voltage when ordering.**

Red.

L14.11.L12v Rear Fog 12V.

L14.11.L24v Rear Fog 24V.



**L14.12**

**12V OR 24V specify voltage when ordering.**

Uncoloured.

L14.12.L12V Reverse 12V.

L14.12.L24V Reverse 24V.



**L14.13**

**12V or 24V specify voltage when ordering.**

Red.

L14.13.L12v Rear Position + Stop 12V.

L14.13.L24v Rear Position + Stop 24V.



**L14.14**

**12V or 24V specify voltage when ordering.**

Amber.

L14.14.L12v Rear Direction Indicator 12V.

L14.14.L24v Rear Direction Indicator 24V.



**A 'smart load device' is available**  
to ensure correct operation of LED  
mandatory direction indicator lamps  
Ask our customer service team for details



### L14.200 SERIES REAR COMBINATION LED LAMPS

L14.200



L14.201



L14.202

L14.203



L14.204

L14.205



L14.206

L14.207



L14.208

L14.209



L14.210



L14.211



L14.212

L14.213

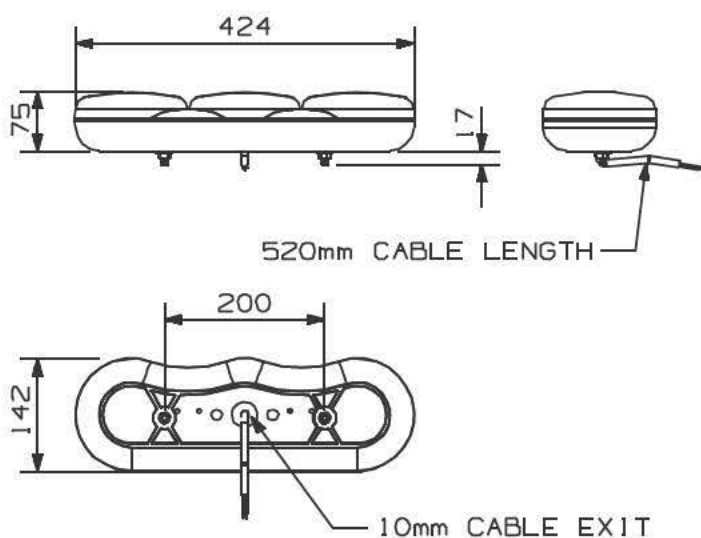


L14.214

L14.215



L14.216



**FOR HORIZONTAL MOUNTING ONLY**

To all part numbers please add suffix .L12V or .L24V

PART NO	HAND	FUNCTIONS		
L14.200		Stop/Tail/D.I.	Stop/Tail/D.I.	Stop/Tail/D.I.
L14.201	Left	Stop/Tail/D.I.	Reverse	Fog
L14.202	Right	Fog	Reverse	Stop/Tail/D.I.
L14.203	Left	Stop/Tail/D.I.	Reflector	Fog
L14.204	Right	Fog	Reflector	Stop/Tail/D.I.
L14.205	Left	Stop/Tail/D.I.	Reflector	Reverse
L14.206	Right	Reverse	Reflector	Stop/Tail/D.I.
L14.207	Left	Stop/Tail	D.I.	Fog
L14.208	Right	Fog	D.I.	Stop/Tail
L14.209	Left	Stop/Tail	D.I.	Reverse
L14.210	Right	Reverse	D.I.	Stop/Tail
L14.211	Left	Stop/Tail/D.I.	Stop/Tail/D.I.	Fog
L14.212	Right	Fog	Stop/Tail/D.I.	Stop/Tail/D.I.
L14.213	Left	Stop/Tail/D.I.	Stop/Tail/D.I.	Reverse
L14.214	Right	Reverse	Stop/Tail/D.I.	Stop/Tail/D.I.
L14.215	Left	Stop/Tail/D.I.	Reflector	Stop/Tail/D.I.
L14.216	Right	Stop/Tail/D.I.	Reflector	Stop/Tail/D.I.

D.I. = direction indicators  
stop/tail = rear position(side)/stop

### L897 INTERIOR LED LAMP

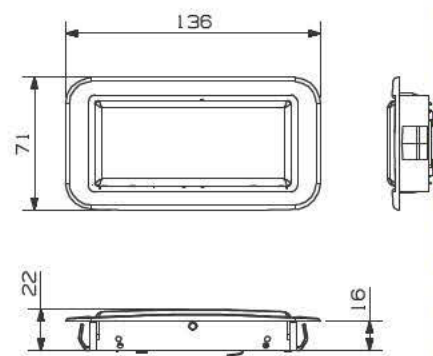
Lens uncoloured.

**L897.00.LDV**

Clip fixing integral lens/switch 4.8mm male blade terminals

#### Spare Parts

12386.00 Surface Mounting Adapter.



### E07 LED SMART LOAD DEVICE

**E07.00.12V** 12volt.

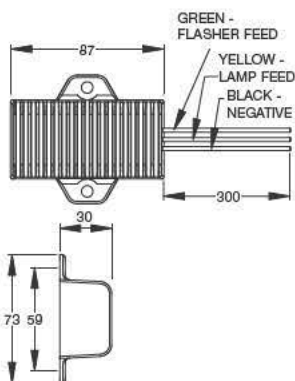
**E07.00.24V** 24 volt.

**E07.00**

**12V OR 24V**

Specify voltage when ordering. For use with Britax L11,L12,L13 L14 and L25, series LED direction indicator lamps, on vehicles using a conventional flasher unit.

The use of an optional E07 'smart load device' may be required to simulate direction indicator bulb, for the flasher unit to operate correctly.



### L52 LED WARNING LAMP

Lens uncoloured.

**L52.00.DV** amber light.

**L52.01.DV** blue light.

**L52.02.DV** red light.

**L52.03.DV** white light.

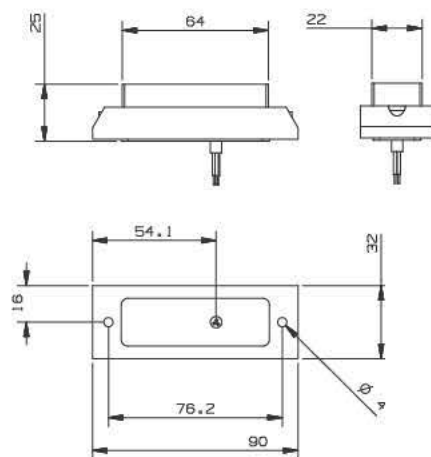
**L52.04.DV** green light.

Selectable multi-flash patterns. Lamps can be synchronised. Low current draw.

**L52 3 LEDs  
DUAL VOLTAGE**

#### Spare Parts

K42.00 Nickel Finish 'L' Bracket.



Lamps can be specified with  
**Dedicated cable lengths and  
connector combinations.**  
 Call the **Britax** team for  
 guidance

**L54 LED WARNING LAMP**

Lens uncoloured.

**L54.00.DV** amber light.

**L54.02.DV** red light.

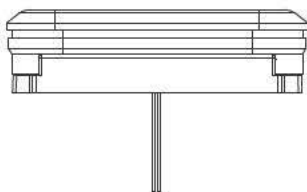
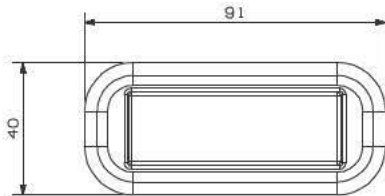
**L54.03.DV** white light.

**L54.04.DV** green light.

Features as L52 type. Cut-out and mounting instructions supplied.

Ideal for flush mounting in grilles and body panels.

**L54 3 LEDs FLUSH MOUNTING  
 DUAL VOLTAGE**



**L55 LED WARNING LAMP**

Lens uncoloured.

**L55.00.DV** amber light.

**L55.01.DV** blue light.

**L55.02.DV** red light.

**L55.03.DV** white light.

**L55.04.DV** green light.

Selectable multi-flash patterns.

Flash.

Lamps can be synchronised.

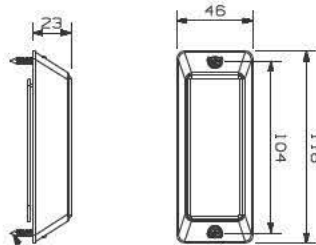
Low current draw.

**L55 3 LEDs  
 DUAL VOLTAGE**

Double flange mounting kit available - K43.00.

**Spare Parts**

K46.00 Black Finish 'L' Bracket.



NOTE 4.  
 No. 8 x 3/4" ST SCREW



**L55 LED WARNING LAMP**

Lens uncoloured.

Amber light.

Selectable multi flash patterns.

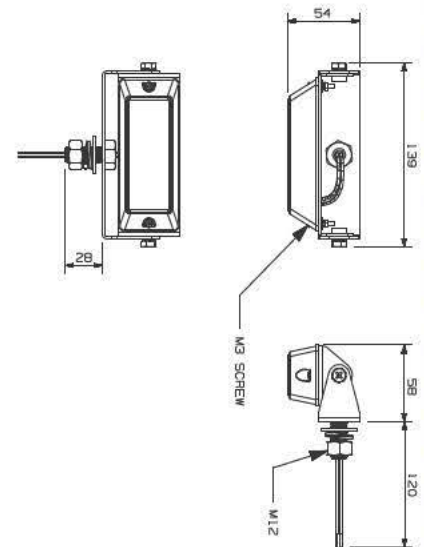
Lamps can be synchronised.

Includes single bolt fixing adjustable bracket.

**L55.00.DV.KIT  
 DUAL VOLTAGE**

**Spare Parts**

K48.00 Bracket Kit



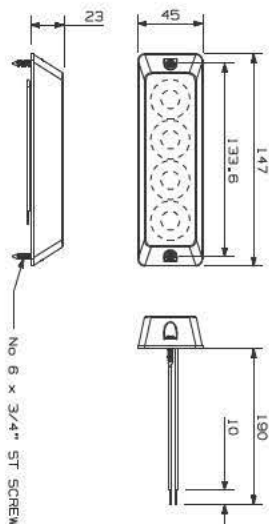
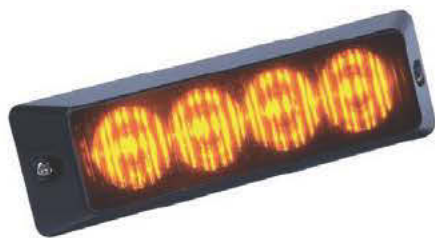
### L56 LED WARNING LAMP

Lens uncoloured.

- L56.00.DV** amber light.
  - L56.01.DV** blue light.
  - L56.02.DV** red light.
  - L56.03.DV** white light.
- Selectable multi-flash patterns.  
Lamps can be synchronised.  
Low current draw.

#### L56 4 LEDs DUAL VOLTAGE

Double flange mounting kit available  
K44.00.



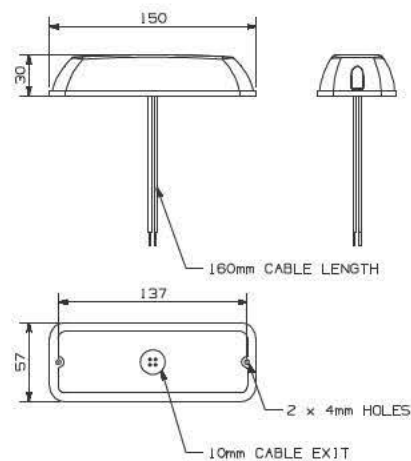
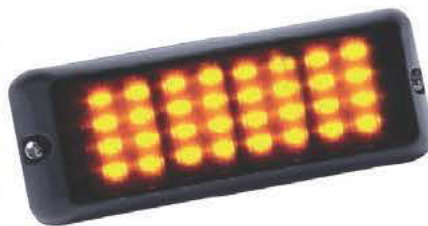
### L57 LED WARNING LAMP

Lens uncoloured.

- L57.00.DV** amber light.
  - L57.02.DV** red light.
  - L57.03.DV** white light.
  - L57.04.DV** green light.
- Selectable multi-flash patterns including  
side by side.  
Lamps can be synchronised.  
Low current draw.

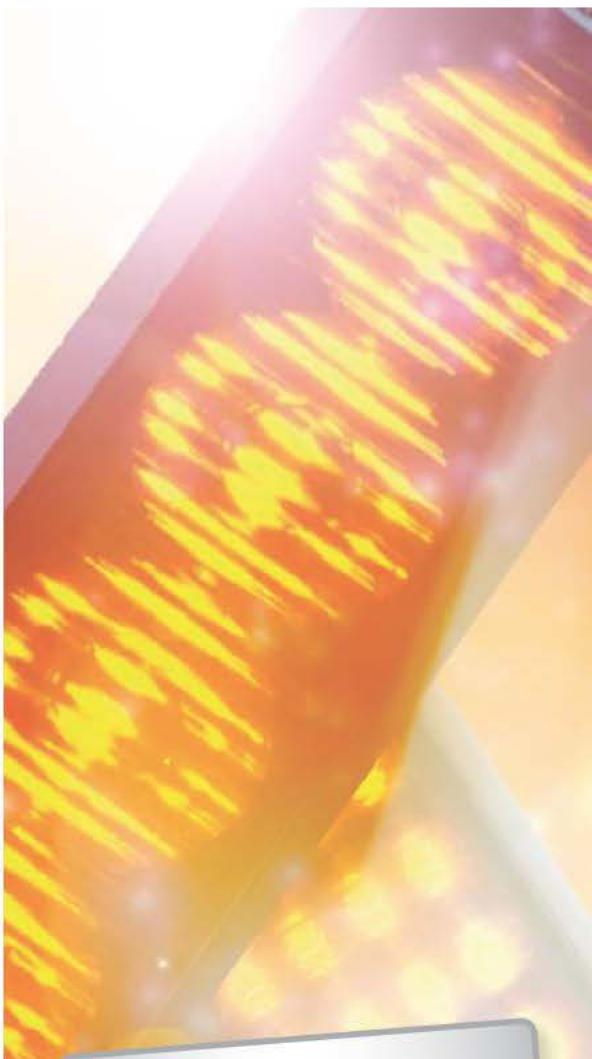
#### L57 32 LEDs DUAL VOLTAGE

**Spare Parts**  
K47.00 Black Finish 'L' Bracket



### TECHNICAL INFORMATION

LED Modules: Please ensure connections and the rear face of the module are protected from water when mounting. Capillary action can cause moisture to travel along the cable and into the lamp. For more advice call our Technical Department.



**Our LED Warning lamp range is being constantly updated. New products will be available during 2011. Please contact our sales team regularly for the latest information.**



Lamps can be specified with **Dedicated cable lengths and connector combinations.** Call the **Britax** team for guidance

## L59/L60/L61 LED WARNING LAMP

Lens uncoloured.

Amber light. L59 - 2 modules. L60 - 4 modules. L61 - 8 modules. Micro bar for internal or external mounting. Attached mounting brackets. Lamps can be synchronised. Select flash patterns.

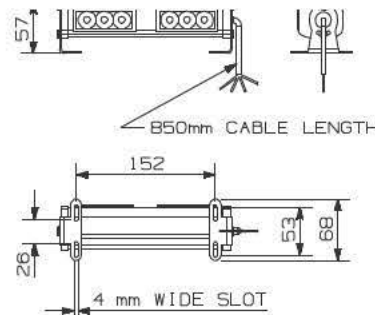
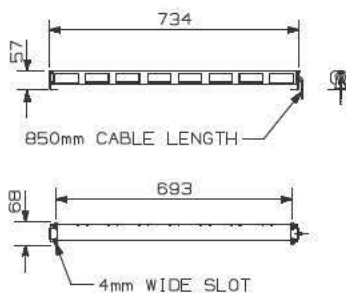
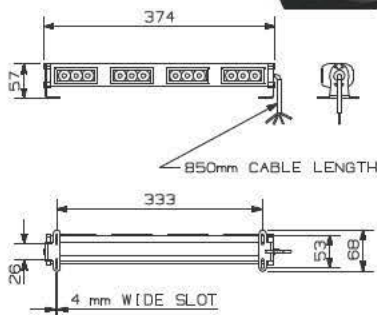
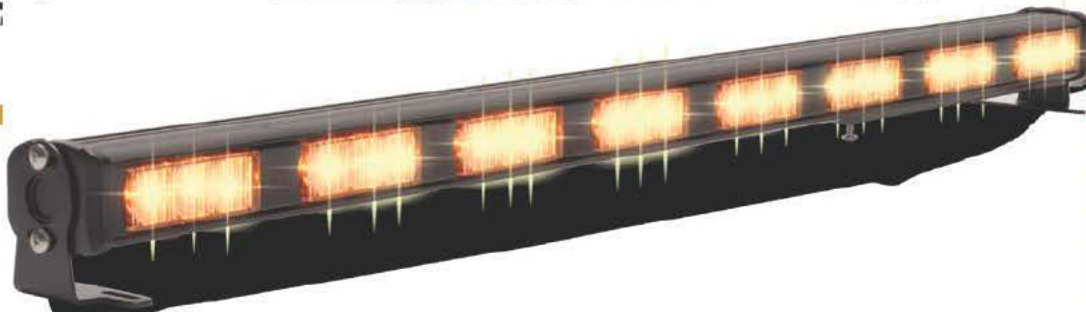
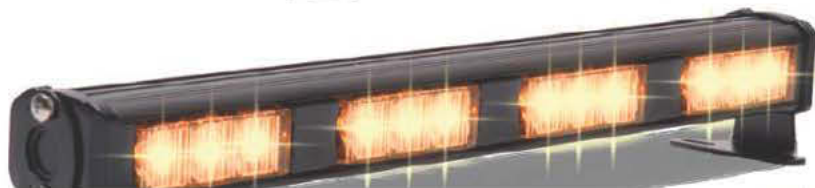
**L59.00.DV / L60.00.DV / L61.00.DV**  
**DUAL VOLTAGE**

Green/green version available to special order.

**Spare Parts**

No spares available.

Additional magnet mounting kit. K45.00 (2 per bar)

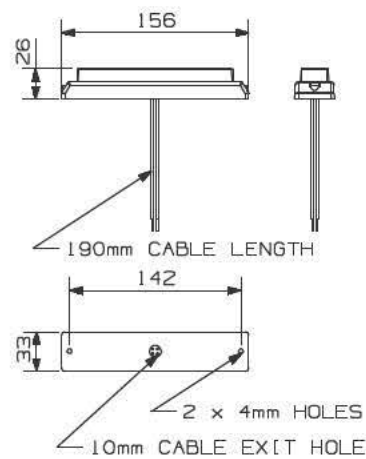


## L66 LED WARNING LAMP

Amber. Lens Uncoloured. Double flash only. Lamps can be synchronised. Dual voltage.

**L66.00.DV 6 LEDs**  
**DUAL VOLTAGE**

Surface mounting only.



### L66 LED WARNING LAMP

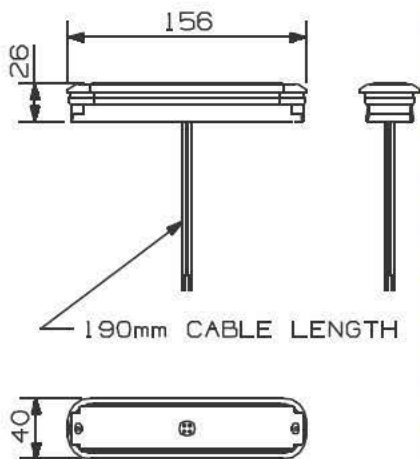
Lens uncoloured.

Amber light. Double flash only. Lamps can be synchronised.

**L66.01.DV 6 LEDs**  
**DUAL VOLTAGE**

Lamp only protrudes 6mm from vehicle bodywork when mounted.

Cutout and Instructions supplied.



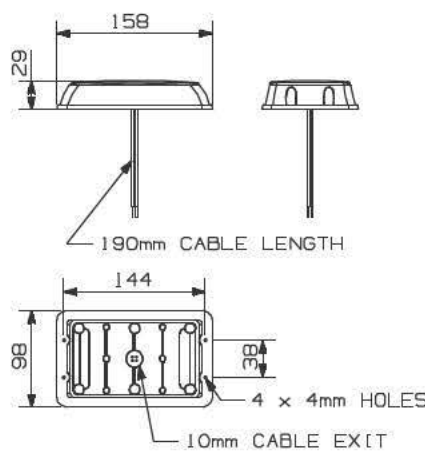
### L68 LED WARNING LAMP

Lens uncoloured.

Amber light. Selectable multi flash patterns. Lamps can be synchronised. Low current draw. Alternating and up/down options.

**L68.00.LDV 8 LEDs**  
**DUAL VOLTAGE**

Heavy duty die-cast body.



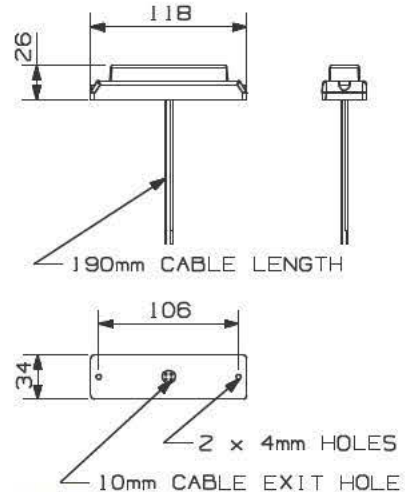
### L72 LED WARNING LAMP

Lens uncoloured.

Amber light. Double flash only. Lamps can be synchronised.

**L72.00.LDV 4LEDs R/H.**  
**L72.01.LDV 4 LEDs L/H.**  
**DUAL VOLTAGE**

Visually the .00 and .01 versions are the same. To achieve a left then right flash (ie. a 'flick/flack' pattern) specify the handed versions.

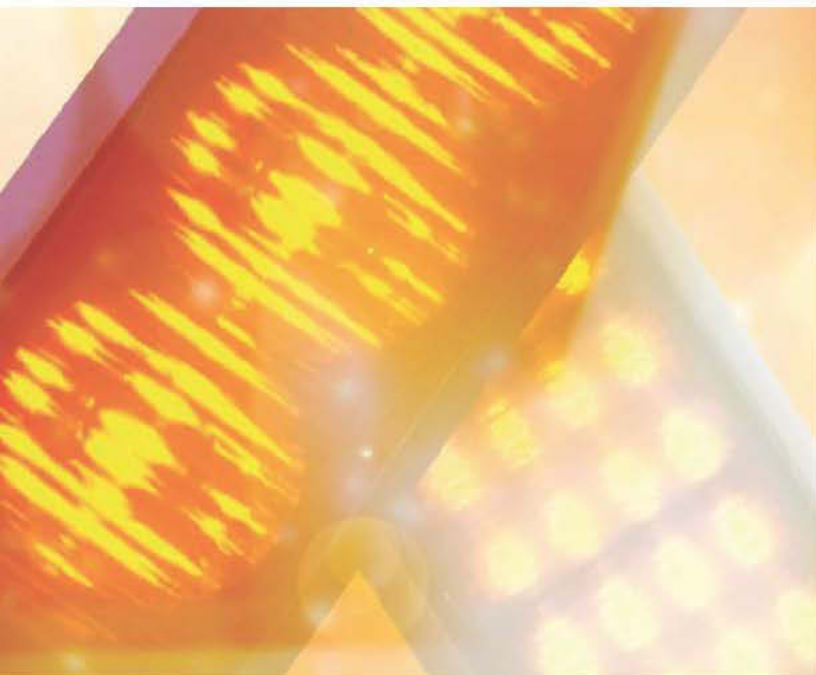


High intensity **LED** warning modules are resistant to dust and water ingress

The Britax LED Worklamps range will be further extended during 2011.

Square and round lamps offering 1000, 1400 and 1900 lumens output will be available.

Contact our sales team for the latest information.

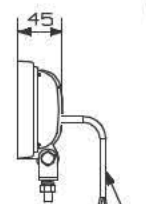
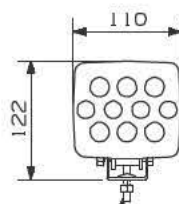


**L71 LED WORK LAMP**

Uncoloured. 10 bright white LEDs, 540 lumens

**L71.00.LDV DUAL VOLTAGE**

Stainless steel mounting bracket



500mm CABLE LENGTH

8.5mm HOLE

Magnetic mounting version available: **L71.02.LDV Dual Voltage**

**BESPOKE BUILD SERVICE**

**9094.00.LB** Front position side + direction indicator - uncoloured/amber. **9060.00.LB** Rear position side, stop, direction indicator, reflex reflector 20° angled rubber cushion - red/amber. **9060.05.00.LB** as .00 with flat rubber cushion - red/amber. **9090.00.LB** rear position, side, stop, direction indicator, reflex reflector.

**12V OR 24V all lamps supplied less bulb**

Complete lamps only available. all 'E' approved to relevant regulations.

This is a bespoke service for a range of 'PMG' lamps which were popular with agricultural vehicle and kit car manufacturers. These part numbers will only be supplied as complete lamps, in minimum order quantities of 12 per part number. There are no spares offered. Lead time will be advised at time of enquiry. For detailed specification, please contact Britax PMG Technical Services.



9094.00.LB



9060.00.LB



05.LB



9090.00.LB

www.mokoncept.com

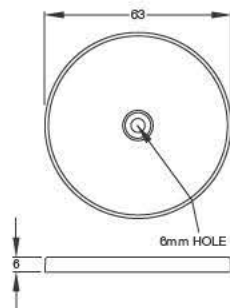


www.caterham.co.uk



### 493 REFLEX REFLECTOR

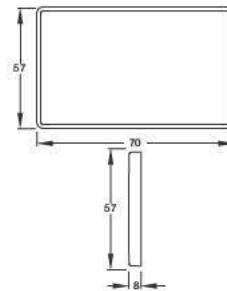
- 493.00 Red
- 493.01 Amber
- 493.02 Uncoloured



### 10141 REFLEX REFLECTOR

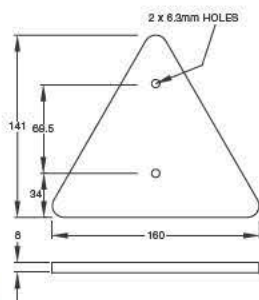
For vertical or horizontal mounting. With adhesive backing.

- 10141.100 Red
- 10141.101 Amber
- 10141.102 Uncoloured



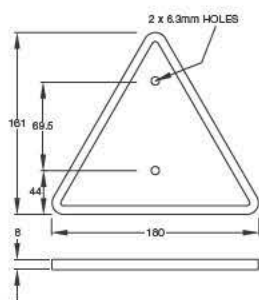
### 489.75/6 REFLEX REFLECTOR

- Red, white edging
- 489.75
- Red, black edging
- 489.76



### 489.77 REFLEX REFLECTOR

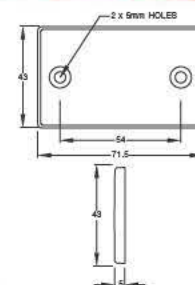
- Red with white surround
- 489.77



### 10139 REFLEX REFLECTOR

Red / uncoloured. For vertical or horizontal mounting.

- 10139.00 Red
- 10139.02 Uncoloured

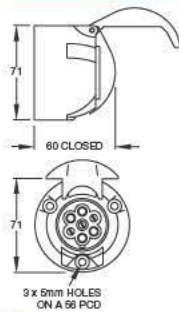


### 14098 BLACK PLASTIC SOCKET

Black. 12N type 7pin.

**14098.01 12 volt only**

To DIN 72577 and ISO 1724

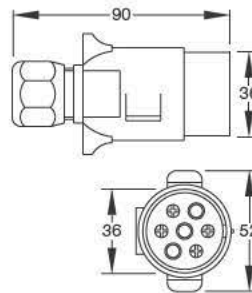


### 14099 BLACK PLASTIC PLUG

Black. 12N type 7pin.

**14099.01 12volt only**

To DIN 72577 and ISO 1724



### 959 CONNECTION SOCKET

Connection socket with pins for Britax L01 + L25 series rear combination lamps

**959.00**



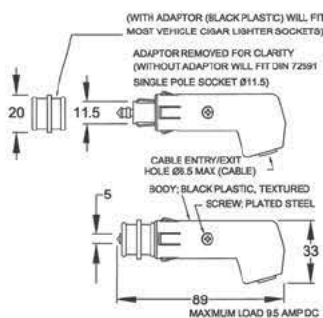
### 14218/9 SINGLE POLE PLUG

Thermoplastic plug with 2 screw terminals complete with cigar lighter adapter collar. Max load 9.5 amp DC.

**14218.00**

**14219.00** with 8A Internal Fuse

**12312.00** Collar

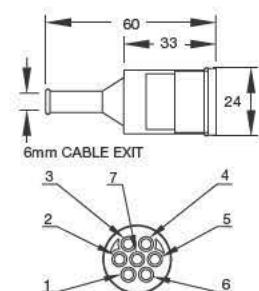
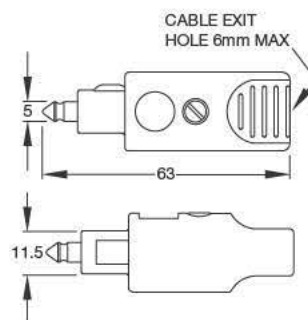


### 14200 SINGLE POLE PLUG

Thermoplastic plug with 2 screw terminals. Max 240w@24V DC

**14200.00**

TO DIN 72591

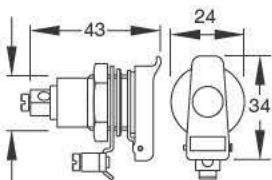


There are over **500** models of mandatory and auxiliary function lamps in the Britax range

### 14201 SINGLE POLE SOCKET

2 screw terminals. Fitted with thermoplastic lid. Max 240w@24V DC

**14201.00**



M18x1  
MAX PANEL THICKNESS 6mm

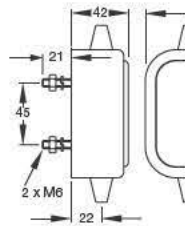
### 3540 JUNCTION BOX

Rubber body. 8way screw connection. 15amp rating.

**3540.00**

#### Spare Parts

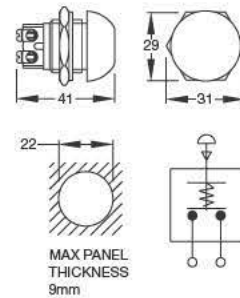
12044 Clear Cover. 14123 8 Way Connector Strip.



### 13340100 SWITCH, PRESS BUTTON

Rubber cap. Spring loaded momentary contact - normally open. Single pole. Screw connections. Current rating resistive load 20A@12V. 10A@24V.

**13340100 12V OR 24V**



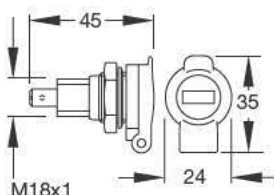
MAX PANEL THICKNESS 9mm

### 14094 SINGLE POLE SOCKET

2. 6.3mm male blade terminals. Fitted with thermoplastic lid. Max 240w@24V DC

**14094.00**

Max panel thickness 6mm



M18x1

### E05 JUNCTION BOX

10way junction box for 12V and 24V applications supplied with fixing bolts and rubber grommets for:- 3 x 7 core round cable. 4 x 4/5 core round cable. 7 x 2 core flat or 6.2mm round cable\*/supplied not-pierced, as blanks.

**E05.00 12v or 24v**

As fitted to ifor Williams Trailers.

#### Spare Parts

K02.00 Grommet Kit 7 Core Round. K02.01 Grommet Kit 4 & 5 Core Round. K02.02 Grommet Kit 2 Core Round + 2 Core Flat.

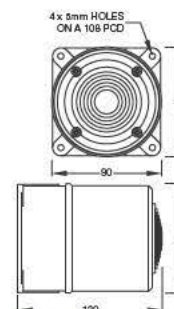


### 29102 AUDIBLE WARNING DEVICE

Grey. Reverse warning. Sounds available: Buzz - very fast sweep at approx 120Hz. Fast sweep 2.5kHz - 3kHz sweeping 9 times/sec. Slow sweep 2.5 kHz - 3kHz sweeping 3 times/sec. Continuous 2.7kHz.

**29102.00**

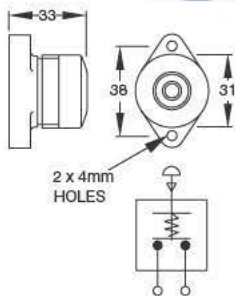
**12V OR 24V**



### 33010000 SWITCH-PLUNGER

Spring loaded momentary contact, normally open. Single pole. Screw connections. Current rating. Lamp load 4A@12V. 2A@24V.

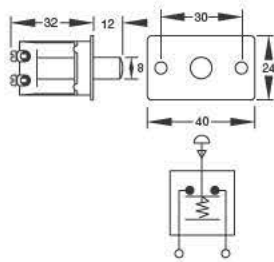
**33010000.**  
**12V OR 24V**



### 14995 SWITCH-PLUNGER

Spring loaded normally closed. Single pole. Screw connections. Current rating lamp load 1.5A@12V. 0.75A@24V.

**14995.00**  
**12V OR 24V**



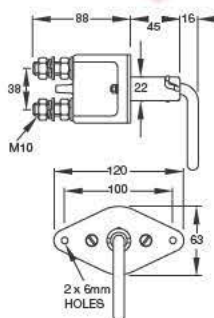
### 14204 SWITCH ISOLATOR

Open circuit with key removed. Closed circuit with key in position. Current rating: 1200A 12V or 24V for 5 seconds. 250A 12V or 24V continuous.

**14204.00**  
**12V OR 24V**

**Spare Parts**

14204.01 Key



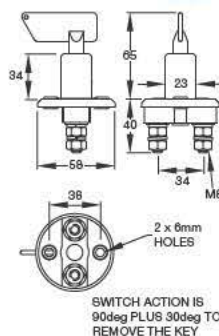
### 14205 SWITCH ISOLATOR

Open circuit with key removed. Closed circuit with key in position. Current rating: 500A 12V or 24V for 5 seconds. 100A 12V or 24V continuous.

**14205.00**  
**12V OR 24V**

**Spare Parts**

14205.01 Key





**Britax** mirrors are specified by the following vehicle manufacturers:-

**CNH, New Holland, John Deere, AGCO, Caterpillar, Valtra, JCB, Volvo Construction Equipment, Terex, Modec, Linde Heavy Truck, Scarab Sweepers, Emmegi, Komatsu, Johnston Sweepers.**

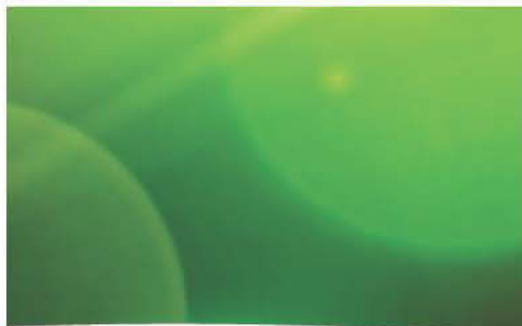


**Britax**



**The first choice for...**

**Mirrors**



**visit our website | [www.britax-pmg.com](http://www.britax-pmg.com)**



# MIRRORS

INTERIOR MIRRORS	90
UNIVERSAL FIT MIRRORS	91
MIRROR HEADS	94
PANORAMIC MIRROR HEADS	98
MIRROR ARMS	100

# Mirrors

## TECHNICAL INFORMATION

### MIRRORS

The Britax range of universal and dedicated fit heads are designed and manufactured to the highest standards and are suitable for all type of on and off highway vehicles.

With a tried and tested "breakout" mechanism, Britax mirror arms offered in this range have been fully tested to ensure compliance with the latest legislation. Also and where necessary Britax mirror heads conform to the latest relevant ECE Regulation and EEC, TUV and SAE approvals.

### HOMOLOGATION APPROVAL CROSS REFERENCE

This list shows the latest level homologation mark for 'E' and 'e' approval. These marks are applicable now and any new vehicles must use complete product with the relevant classification mark. Right and left fitments must be identical.

Please note that one 'E' or 'e' mark can appear on more than one part number of mirror head.

If attempting to identify a mirror head please supply the homologation mark along with overall size of head, visible glass size and any other distinguishing features.

### APPROVAL DETAILS



To suit 'e' approved mirror installations.

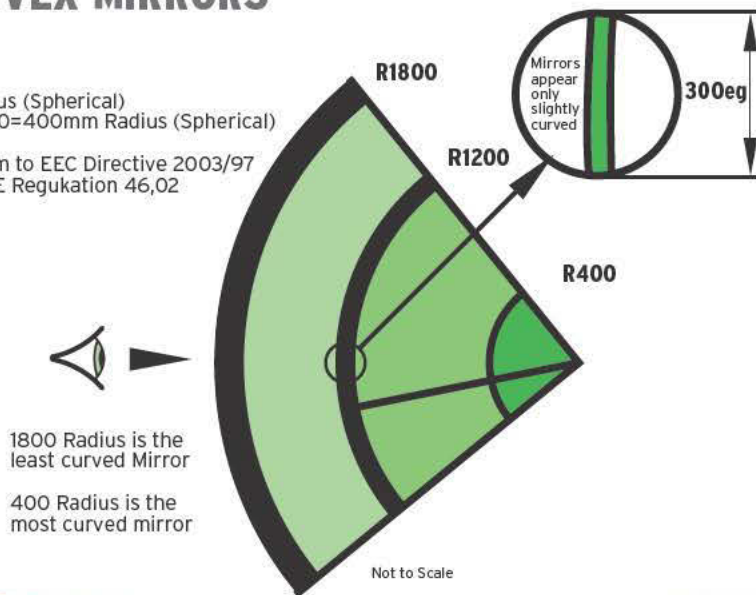


To suit 'E' approved mirror installations.

### CONVEX MIRRORS

R=Radius (Spherical)  
eg R400=400mm Radius (Spherical)

Conform to EEC Directive 2003/97 and ECE Regulation 46,02



HOMOLOGATION APPROVAL CROSS REFERENCE		
Mirrors	Old Mark	New Mark
7133	II E11 015461	II E11 026322
	II e11 02*5461	II e11 03*6322
7132	II E11 015461	II E11 026322
	II e11 02*5461	II e11 03*6322
7112 Britax	IV V E11 011152	IV V E11 026328
	IV V e11 02*1152	IV V e11 03*6328
	II III E11 011152	II III E11 026328
	II III e11 02*1152	II III e11 03*6328
7112 Doblí	IV V E11 011152	IV E4 022305
	IV V e11 02*1152	IV e4 03*2305
	N/A	V E4 022306
	N/A	V e4 03*2306
7112.121 Volvo	IV V E11 011152	IV V E11 026328
	IV V e11 02*1152	IV V e11 03*6328
	II III E11 011152	II III E11 026328
	II III e11 02*1152	II III e11 03*6328
7112.223 Britax	IV V E11 011152	IV V E11 026328
	IV V e11 02*1152	IV V e11 03*6328
	II III E11 011152	II III E11 026328
	II III e11 02*1152	II III e11 03*6328
7106	N/A	II E11 026330
	II e11 02*1153	II e11 03*6330
7107	II III E11 015441	II III E11 026326
	II III e11 02*5441	II III e11 03*6326
7130	II E11 015962	II E11 026402
	II e11 02*5962	II e11 03*6402
7180/7181 7182	II E11 011113	II III E11 026325
	II e11 02*1113	II III e11 03*6325
7120	I II E11 011104	I II III E11 026324
	I II e11 02*1104	I II III e11 03*6324
7124	IV E11 015801	IV E11 026401
	IV e11 02*5801	IV e11 03*6401
	V E11 015802	V E11 026401
	V e11 02*5802	V e11 03*6401
7108	I E11 015716	I E11 026329
	I e11 02*5716	I e11 03*6329
7131	II E11 015717	II E11 026327
	II e11 02*5717	II e11 03*6327

call our sales team | 01262 670161

### RS1 INTERIOR MIRROR

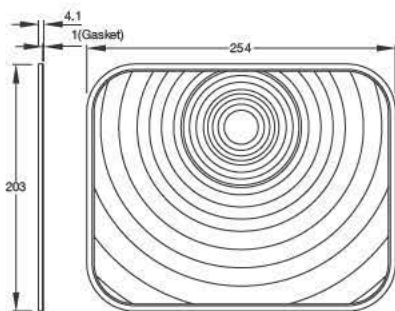
Uncoloured.

Plastic moulded prismatic lens.

Supplied with self adhesive gasket secured to lens.

#### RS1

Suitable for vans and minibuses as an aid to reversing.



### 7124.001.A INTERIOR MIRROR

Interior Mirror Assembly Rear View.

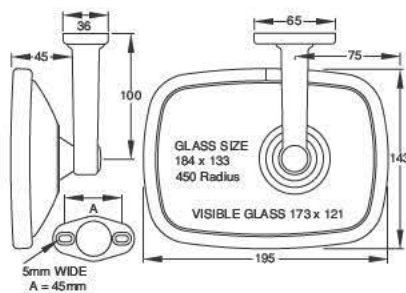
Glass spherical radius: R450mm.

#### 7124.001.A

##### Spare Parts

7404.002.05 Spare Glass (5 Pack)

Glass is only available in the pack quantity stated.



### 7120.200.A INTERIOR MIRROR

Interior Mirror. Assembly. Rear View.

Glass spherical radius 1400mm.

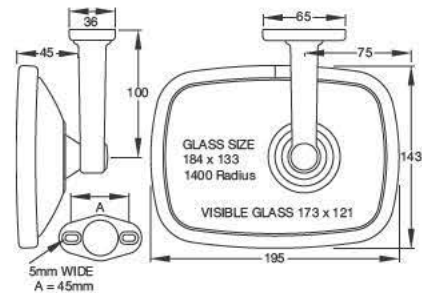
#### 7120.200.A

To fit JCB

##### Spare Parts

Z4002.498.10 Spare Glass (10 Pack)

Glass is only available in the pack quantity stated.



# Britax PMG Limited

supply over **3/4 million** mirror parts to original equipment manufacturers **per year.**

# Mirrors

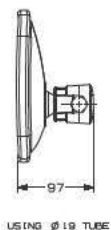
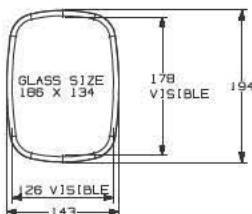
## 7120.320.A 7121.320.A UNIVERSAL FIT MIRROR

**7120.320.A** Rear View Mirror.  
Glass spherical radius R1400mm.  
To fit arms  $\varnothing 10 - \varnothing 22\text{mm}$

**Spare Parts**  
Z4002.498.10 Spare Glass (10 Pack)

**7121.320.A** Rear view mirror.  
Flat glass.  
To fit arms  $\varnothing 10 - \varnothing 22\text{mm}$

**Spare Parts**  
Z3002.068.10 Spare Glass (10 Pack)  
Glass is only available in pack quantity stated.

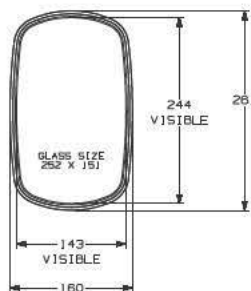
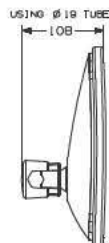


## 7180.320 UNIVERSAL FIT MIRROR

Rear view mirror.  
Glass spherical radius R2060mm.  
To fit arms  $\varnothing 10 - \varnothing 22\text{mm}$

**7180.320.A**  
**Spare Parts**  
Z4002.488.10 Glass (10 Pack)

Glass is only available in the pack quantity stated.



Britax mirrors are specified by the following vehicle manufacturers:-  
**CNH, New Holland, John Deere, AGCO, Caterpillar, Valtra, JCB, Volvo Construction Equipment, Terex, Modec, Linde Heavy Truck, Scarab Sweepers, Emmegi, Komatsu, Johnston Sweepers.**

### 7182.320.A UNIVERSAL FIT MIRROR

Rear view mirror.

Glass spherical radius R1400.

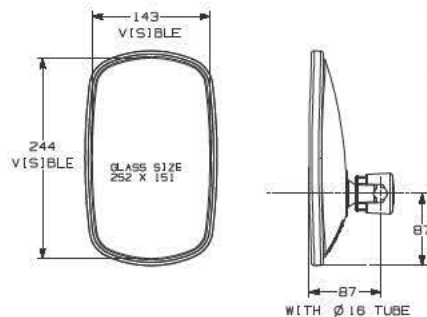
To fit arms Ø10 - Ø22mm

#### 7182.320.A

##### Spare Parts

Z4002.496.10 Glass (10 Pack)

Glass is only available in the pack quantity stated.



### 7112.020.A UNIVERSAL FIT MIRROR

Rear view mirror. Glass spherical radius R450. To fit arms Ø10 - Ø22mm

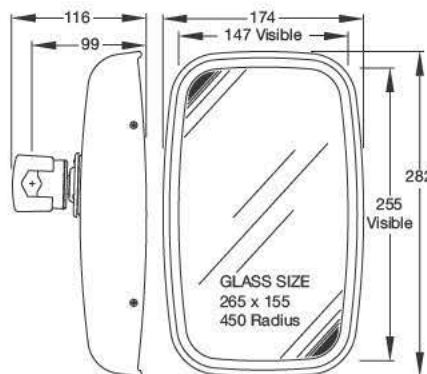
#### 7112.020.A

Heated versions available: 7112-030.A 12 volt. 7112-040.A 24 volt.

##### Spare Parts

Z4003.420.05 Glass (5 Pack)

Glass is only available in the pack quantity stated.



### 7112.021.A UNIVERSAL FIT MIRROR

Rear view mirror. Glass spherical radius R1400. To fit arms Ø10 - Ø22mm

#### 7112.021.A

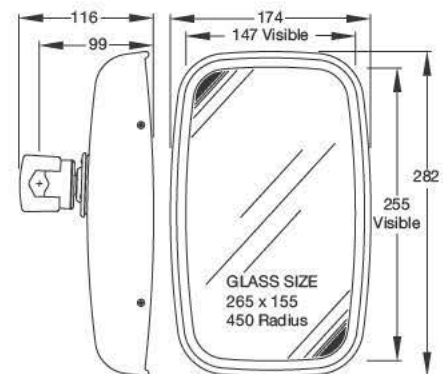
Heated versions available: 7112.031.A 12 volt. 7112.041.A 24 volt.

To fit Volvo construction machines (VCE)

##### Spare Parts

Z4003.421.10 Glass (10 Pack)

Glass is only available in the pack quantity stated.



## 7107.001.A UNIVERSAL FIT MIRROR

Rear view mirror.  
Glass spherical radius R2060.  
To fit arms  $\varnothing$ 16mm -  $\varnothing$ 22mm

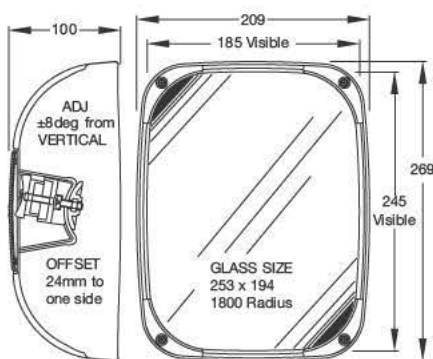
### 7107.001.A

Heated version available: 7107.500.A 12 volt.  
7107.501.A 24 volt.

### Spare Parts

7418.005.05 Glass (5 Pack)

Glass is only available in the pack quantity stated.



## 7106.000.A UNIVERSAL FIT MIRROR

Rear view mirror. Glass spherical radius R2060. To fit  $\varnothing$ 22mm arms. Supplied with adapter sleeves to fit  $\varnothing$ 16mm and  $\varnothing$ 19mm arms.

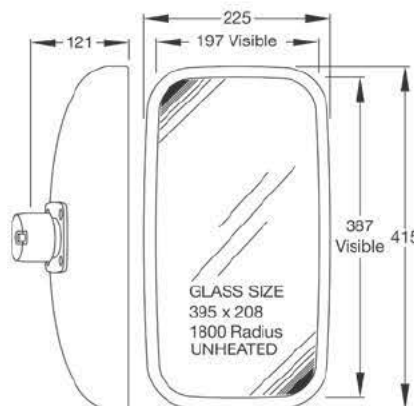
### 7106.000.A

Heated version available: 7106.002.A 24 volt.

### Spare Parts

Z4002.475.05 Glass (5 Pack)

Glass is only available in the pack quantity stated.

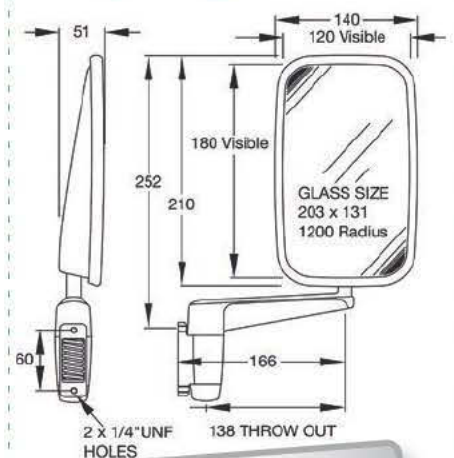


## 7812.161 ARM & HEAD ASSEMBLY

REAR VIEW MIRROR ARM and HEAD. Glass spherical radius R1400

### 7812.161

To fit Land Rover Defenders.



For advice and assistance with specification, please call our Mirror Engineering Team on **+44 (0) 1262 670161**

### 7020.000. RH. 7020.001. LH ARM and HEAD ASSEMBLIES

Rear view extendable mirror assembly.  
Glass spherical radius R1400.

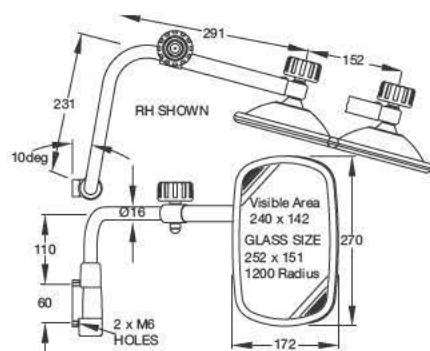
**7020.000.RH. 7020.001.LH**

To fit CNH Tractors.

#### Spare Parts

7182.201 Head Only.  
24002.496.10 Glass (10 Pack).  
7604.001 Thumbwheel Adjuster.

Glass in only available in the pack quantity stated.



### 7182.201.A HEADS

Rear view mirror with Thumbwheel Adjuster.

Glass spherical radius R1200.

For use on 7020.000 R.H and 7020.001.L.H assemblies.

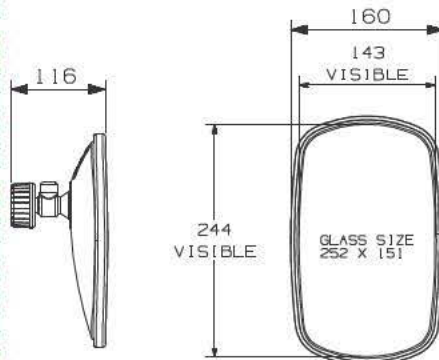
**7182.201.A**

To fit CNH Tractors.

#### Spare Parts

Z4002.496.10 Glass (Pack Of 5).  
7604.001 Thumbwheel Adjuster

Glass in only available in the pack quantity stated.



### 7131.000.A 7131.001.A HEADS

Rear view mirror. Glass spherical radius R1800. To fit Ø22mm - 7131.000.A. To fit Ø19mm - 7131.001.A.

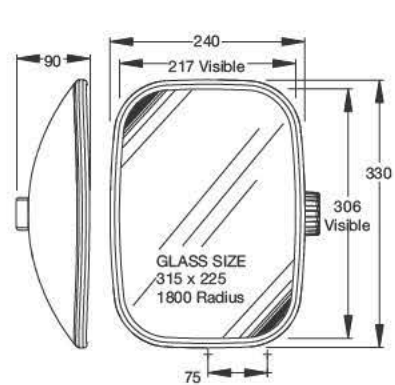
**7131.000.A 7131.001.A**

To fit AGCO Group tractors.

#### Spare Parts

7418.006.05 Glass (Pack Of 5)

Glass in only available in the pack quantity stated.



## 7130.004.A HEADS

Rear view mirror. Remote control & heated glass. Top mounted.

Glass spherical radius R2000.

To fit arms  $\varnothing 16\text{mm}$  -  $\varnothing 22\text{mm}$ .

### 7130.004.A

Specify voltage when ordering.

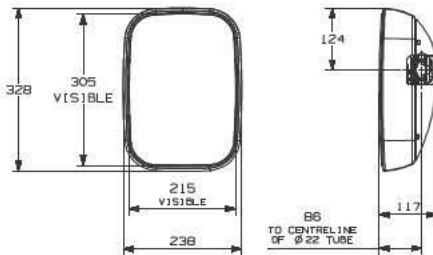
To fit CNH tractors.

Glass/carrier in single pack.

### Spare Parts

7300.131.A Glass/Carrier Assembly With 12V Heater Element.

7300.177.A Glass/Carrier Assembly With 24V Heater Element.



## 7130.002.A HEADS

Rear view mirror. Remote control only. Top mounted.

Glass spherical radius R2000.

To fit arms  $\varnothing 16\text{mm}$  -  $\varnothing 22\text{mm}$ .

### 7130.002.A

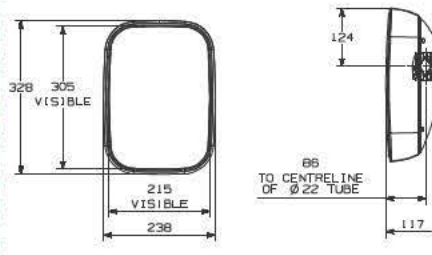
Specify voltage when ordering.

To fit CNH tractors.

Glass/carrier is single pack.

### Spare Parts

7300.122.A Glass/Carrier Assembly



## 7130.000.A RH 7130.001.A LH HEADS

Rear view mirror. Remote control

7130.000.A side mounted RH.

7130.001.A side mounted LH.

Glass spherical radius R2000.

To fit arms  $\varnothing 16\text{mm}$  -  $\varnothing 22\text{mm}$ .

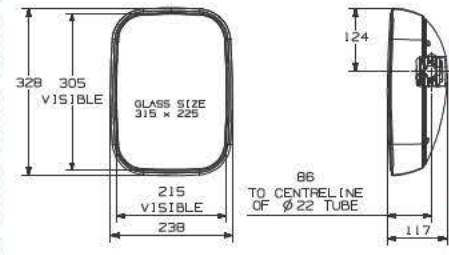
### 7130.000.A Right Hand. 7130.001.A Left Hand.

To fit CNH tractors.

Glass/carrier is single pack.

### Spare Parts

7300.122.A Glass/Carrier Assembly.



Other heated/remote control options may be available, subject to minimum order quantities.  
**Please contact Britax for details.**

### 7132.001.A HEADS

REAR VIEW MIRROR.

Glass spherical radius R2060. To fit Ø16mm - Ø22mm.

#### 7132.001.A

To fit AGCO Group tractors.

#### Spare Parts

7418.006.05 Glass (Pack Of 5).  
7900.005 Corner Gasket Fixing Kit.

Glass is only available in the pack quantity stated.



### 7133.000.A HEADS

REAR VIEW MIRROR.

Glass spherical radius R2060. To fit 22mm tube Thumbwheel fixing.

#### 7133.000.A

To fit CNH tractors.

#### Spare Parts

7418.006.05 Glass (Pack Of 5).  
7300.035 Thumbwheel.  
7900.005 Corner Gasket Fixing Kit.

Glass is only available in the pack quantity stated.



### 7133.001.A HEADS

REAR VIEW MIRROR.

Glass spherical radius R2060. To fit Ø22mm - 7133.000.A. To fit Ø19mm - 7131.001.A.

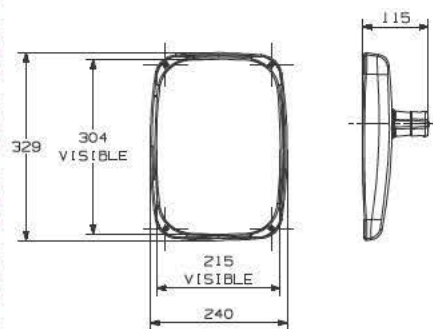
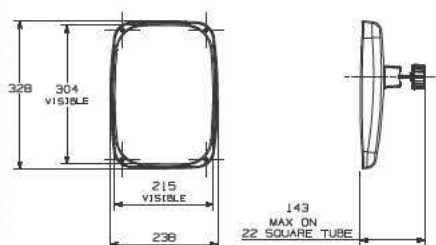
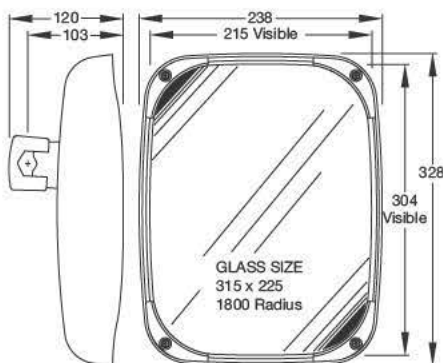
#### 7133.001.A

To fit CNH tractors.

#### Spare Parts

7418.006.05 Glass (Pack Of 5).  
7900.005 Corner Gusset Fixing Kit.

Glass is only available in the pack quantity stated.





## Z4002.820 HEADS

REAR VIEW MIRROR.

Glass spherical radius R2060. To fit Ø16mm arm.

### Z4002.820

Heated version available. Z4003.187 24 volt.

Version available to fit Ø22mm arm. 7105.000.A.

To fit Terex Equipment.

Linde Heavy Trucks.

### Spare Parts

Z4002.444.05 Glass (Pack Of 5).

Z4003.401.05 Heated Glass 24V (Pack Of 5). 4002.590 Surround Fixing Kit.

Glass is only available in the pack quantity stated.



## 7132.500.A. 7132.501.A HEADS

REAR VIEW MIRROR.

7132.500.A 12 volt Remote Control.

7132.501.A 24 volt Remote Control.

To fit Ø16mm - Ø22mm arms.

### 7132.500.A. 7132.501.A

To fit CNH Tractors.

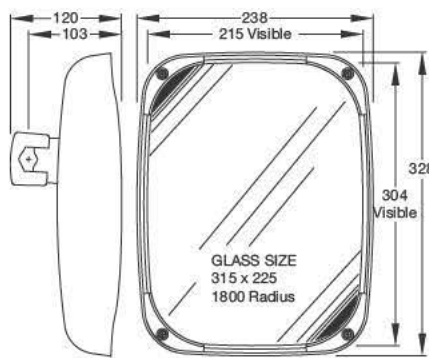
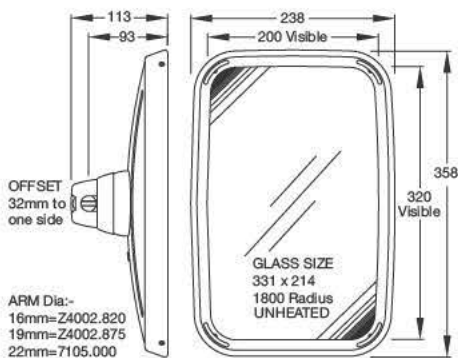
### Spare Parts

7418.006.05 Glass (Pack Of 5).

7900.005 Corner Gusset Fixing Kit.

7720.004 Optional Remote Control Switch.

Glass is only available in the pack quantity stated.



Britax mirrors are specified by the following vehicle manufacturers:-

**CNH, New Holland, John Deere, AGCO, Caterpillar, Valtra, JCB, Volvo Construction Equipment, Terex, Modec, Linde Heavy Truck, Scarab Sweepers, Emmegi, Komatsu, Johnston Sweepers.**

### 7802.000 PANORAMIC MIRROR

Blind spot mirror.  
Spherical radius R200.  
Self adhesive.  
**7802.000**



### 7803.001 PANORAMIC MIRROR

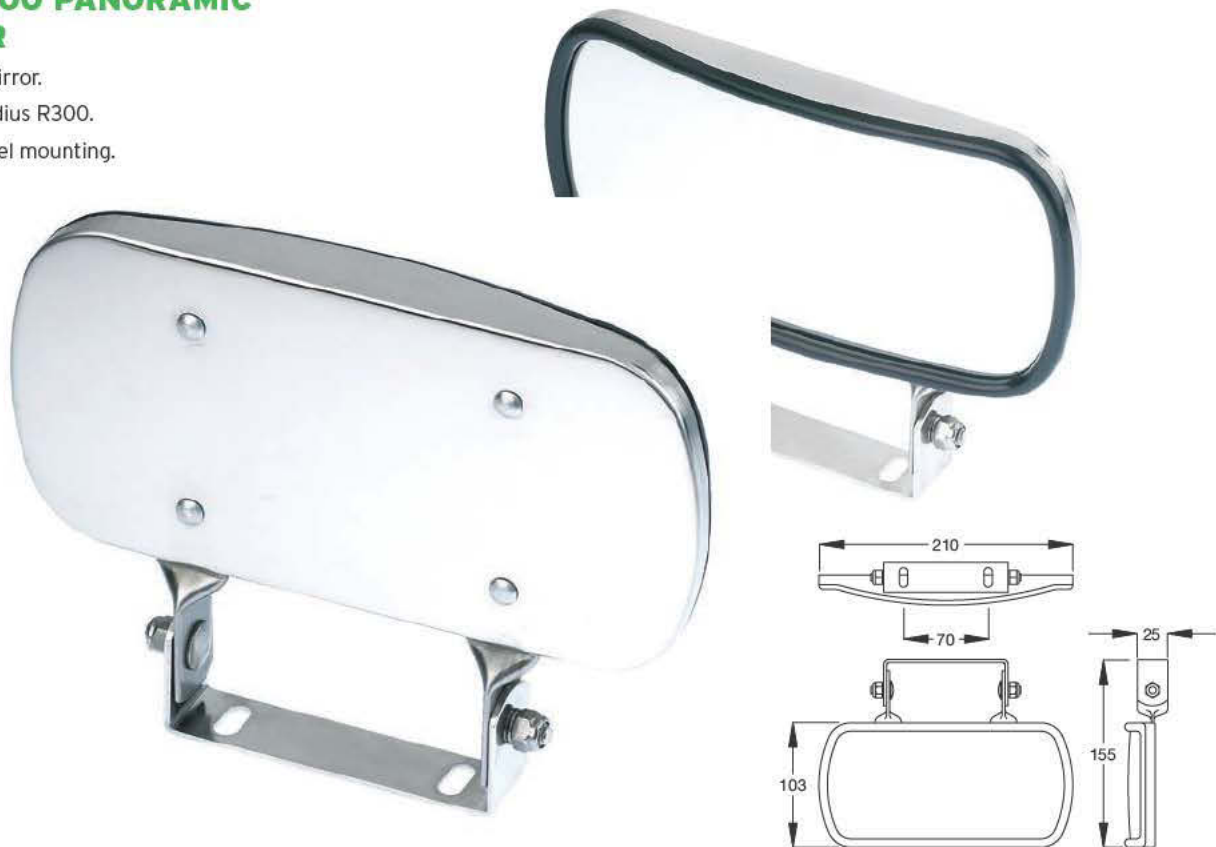
Blind spot circular mirror.  
Spherical radius R300.  
Black housing.  
**7803.001**



For advice and assistance with specification, please call our **Mirror Engineering Team** on **+44 (0) 1262 670161**

## 7803.000 PANORAMIC MIRROR

Over door mirror.  
Spherical radius R300.  
Stainless steel mounting.  
**7803.000**



## 7840.002 PANORAMIC MIRROR

Blind spot circular mirror.  
Spherical radius R400.  
Black housing.  
**7840.002**

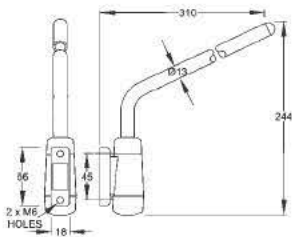


### Z4007.067 ARMS

Black 'Minibrac' arm assembly  
 ø13mm tube.  
 Spring loaded adjustment.  
 2 X M6 mounting holes.

#### Z4007.067

Adjustment can be done only when the arm is securely mounted.

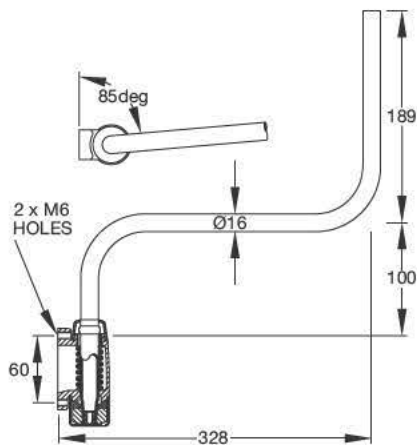


### Z4007-313 ARMS

Black. 'Midibrac' arm assembly  
 ø16mm tube.  
 Spring loaded adjustment.  
 2 X M6 mounting holes.

#### Z4007-313

Adjustment can be done only when the arm is securely mounted.

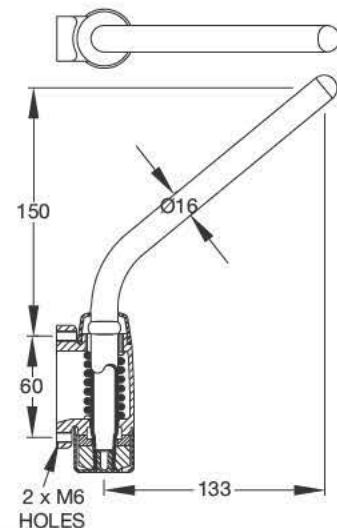


### Z4007.456 ARMS

Black. 'Midibrac' arm assembly  
 ø16mm tube. Spring loaded adjustment.  
 2 X M6 mounting holes.

#### Z4007.456

Adjustment can be done only when the arm is securely mounted.



## Z4007.522 R.H Z4007.523 L.H ARMS

Black. 'Midibrac' arm assembly  
Ø16mm tube.

Z4007.522 Right hand.

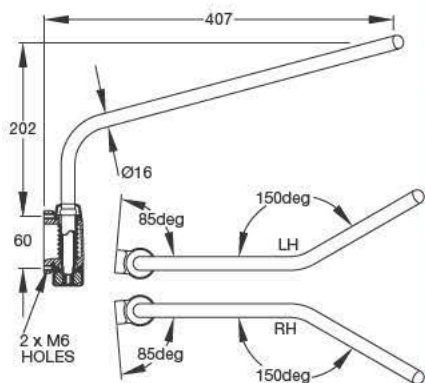
Z4007.523 Left hand.

Spring loaded adjustment.

2 X M6 mounting holes.

### Z4007.522 R.H. Z4007.523 L.H.

Adjustment can only be done when the arm is securely mounted.



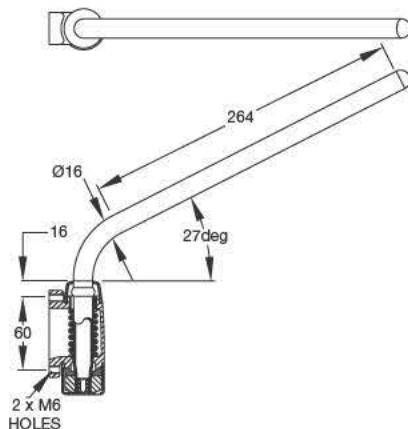
## Z4007.526 ARMS

Black. 'Midibrac' arm assembly  
Ø16mm tube. Spring loaded adjustment.

2 X M6 mounting holes.

### Z4007.526

Adjustment can only be done when the arm is securely mounted.



## 7200.007.A ARMS

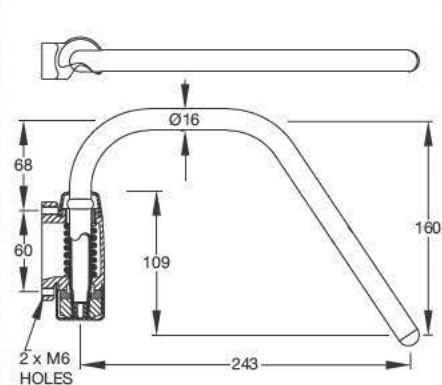
Black. 'Midibrac' arm assembly  
Ø16mm tube.

Spring Loaded Adjustment.

2 x M6 Mounting Holes.

### 7200.007.A

Adjustment can only be done when the arm is securely mounted.

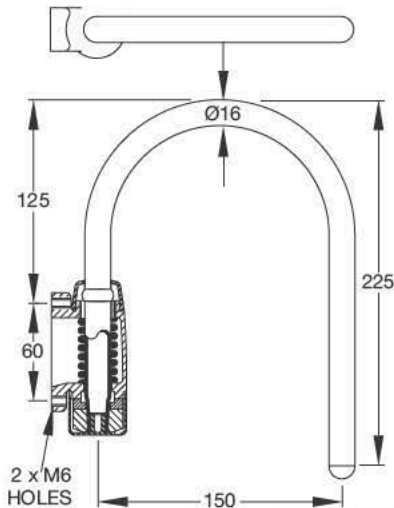


### 7200.050.A ARMS

Black. 'Midibrac' arm assembly  
 ø16mm tube. Spring loaded adjustment.  
 2 X M6 mounting holes.

#### 7200.050.A

Adjustment can only be done when the arm is securely mounted.

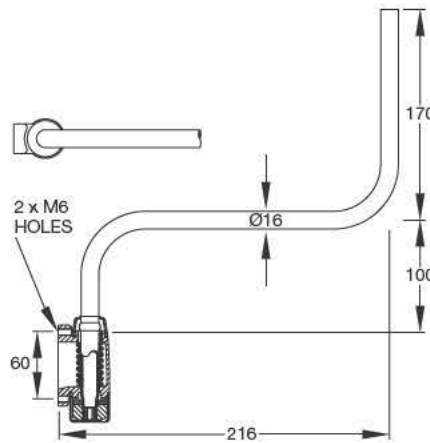


### 7200.025.A ARMS

Black. 'Midibrac' arm assembly  
 ø16mm tube. Spring loaded adjustment.  
 2 X M6 mounting holes.

#### 7200.025.A

Adjustment can be done only when the arm is securely mounted.



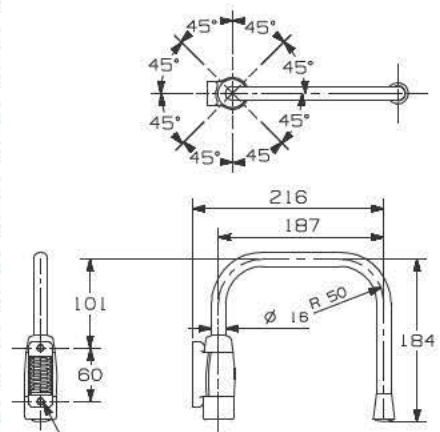
### 7200.099.A ARMS

Black. 'Midibrac' arm assembly  
 ø16mm tube. Spring loaded adjustment.  
 2 X M8 mounting holes.

#### 7200.099.A

Adjustment can be done only when the arm is securely mounted.

To fit Volvo Construction Machine (VCE)



## 7270.550.A ARMS

Medium duty extendable mirror arm.

Ø19mm tube.

Designed for installations above 2 Mts.

Pre-wired with plug and cable for use with 7132.516.A. Remote Control Heads.

### 7270.550.A

To fit Valtra Tractors.



## 7270.050.A ARMS

Medium duty extendable mirror arm.

Ø19mm tube.

Designed for installations above 2 Mts.

For use with 7130 Series heads.

### 7270.050.A

To fit Valtra Tractors.



## 7260.002.A RH 7260.003.A LH ARMS

Heavy duty extendable mirror arms.

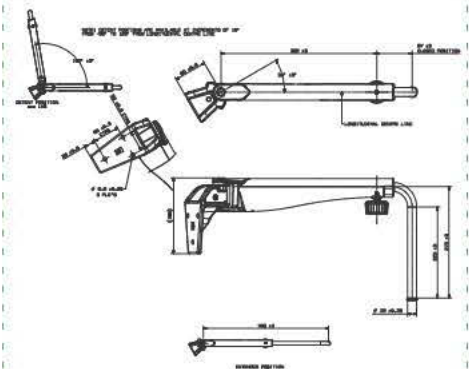
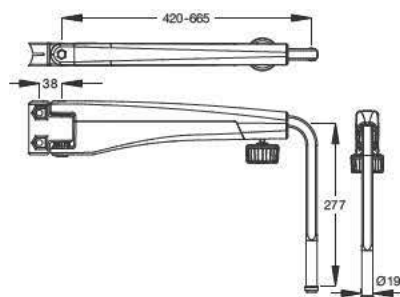
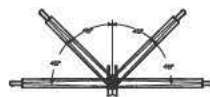
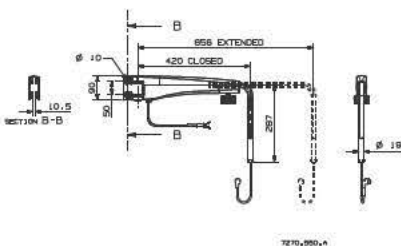
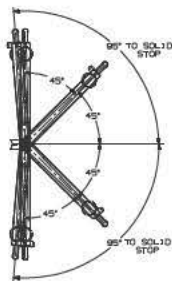
Ø22mm tube.

Designed for installations above 2Mts.

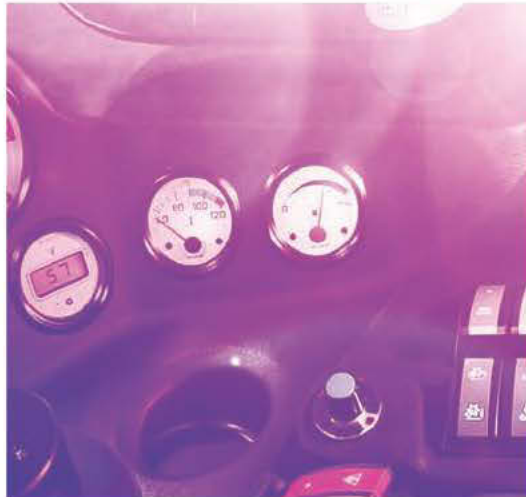
For use with 7132 & 7130 series heads.

### 7260.002.A RH. 7260.003.A LH

Detent positions at increments of 10° from centre line.



Other heated/remote control options may be available, subject to minimum order quantities.  
**Please contact Britax for details.**



**Britax** The first choice for...  
**Switches**



visit our website | [www.britax-pmg.com](http://www.britax-pmg.com)



# SWITCHES

STEERING COLUMN SWITCHES	106
511 SERIES ROCKER SWITCHES	110
533 SERIES ROCKER SWITCHES	110
ROCKER SWITCH SYMBOLS	113

**CALL OUR SALES TEAM**  
**01262 670161**  
**FOR DETAILS**

## Switches

### TECHNICAL INFORMATION

Britax PMG Limited have been main agents for the full range of Valeo column and rocker switches for over 30 years.

Suitable for a wide range of automotive applications the range includes:-

- gear select levers
- multi function levers
- single, two and three position rocker switches

Valeo, formerly known as SWF are the world's leading supplier of electrical switches.



**MAIN AGENTS FOR:**



All Valeo switches are designed and manufactured to OE quality standards. Applications include:

- **Agricultural Vehicles**
- **Construction Vehicles**
- **Bus & Coach**
- **Truck**
- **Special Application Vehicles**



**call our sales team | 01262 670161**

### COLUMN SWITCHES

The products shown in this catalogue represent only part of the Valeo range.

An extensive range of vehicle switching solutions are available and our Technical Services Department will be pleased to help with specifying the right product.

When calling please have the following information to hand:-

- **Functions required**
- **Method of mounting**
- **Voltage**
- **Stalk lengths**



Please contact Britax for details of availability before ordering.

Part Number	Type	Suggested Application
204.917	FNR Column Switch	Caterpillar
204.826	Column Switch	Dennis
204.262	Column Switch	Caterpillar
204.261	Column Switch	Caterpillar
203.468	Column Switch	JCB
203.466	Column Switch	JCB
203.464	Column Switch	JCB
203.463	Column Switch	JCB
203.228	Column Switch	Alexander--Bus
203.180	Column Switch	Dennis
203.178	Column Switch	Dennis Alexander
203.059	Column Switch	ERF
203.020	Column Switch	JCB
202.921	Column Switch	Bus
202.877	Column Switch	John Deere
202.866	Column Switch	JCB
202.843	Column Switch	Linde Heavy Truck
202.839	Column Switch	JCB
202.624	Column Switch	Dennis refuse vehicles
202.622	Column Switch	JCB
202.544	Column Switch	Older JCB
202.366	Column Switch	JCB
202.364	Column Switch	JCB
202.363	Column Switch	JCB
202.154	Column Switch	Lansing Linde
202.138	Column Switch	Douglas Equipment

Part Number	Type	Suggested Application
202.137	Column Switch	Lansing Linde
202.136	Column Switch	Jungheinrich UK
202.118	Column Switch	Fendt, Komatsu
202.105	Column Switch	Douglas Equipment
202.104	Column Switch	Caterpillar
202.103	Column Switch	JCB, Construction
201.953	Column Switch	Johnston Sweepers & Terex
201.930	Column Switch	JCB
201.929	Column Switch	JCB
201.884	Column Switch	Terex
201.835	Column Switch	ERF
201.772	Column Switch	Terex & Thwaites
201.736	Column Switch	Military Vehicles
201.639	Column Switch	Massey Ferguson
201.627	Column Switch	Volvo Truck & Bus
201.545	Column Switch	Terex Compact
201.527	Column Switch	Douglas Equipment
201.413	Column Switch	Older Dennis Refuse & PSV
201.308	Column Switch	Various - PSV, Military & Construction
201.246	Column Switch	Dennis Bus & Johnston Sweepers
201.100	Column Switch	Jungheinrich UK
201.075	Column Switch	Dennis, Leyland
201.057	Column Switch	Fork Trucks









## POPULAR OPTIONS - 511 + 533 RANGES

### ON-OFF SWITCHES

511.000	*	two 6.3mm flat connectors
511.003	12volt	location lighting <b>B</b>
511.004	24volt	location lighting <b>B</b>
511.005	12volt	location lighting & function lighting <b>C</b>
511.006	24volt	location lighting & function lighting <b>C</b>

### MOMENTRY SPRING RETURN SWITCHES

511.007	*	
511.198	12volt	location lighting <b>A</b> Change-over contact
511.199	24volt	location lighting <b>A</b> Change-over contact

### CHANGE-OVER SWITCHES

511.019	*	three 6.3mm flat connectors
511.105	*	six 6.3mm flat connectors
511.024	12volt	location lighting & function lighting <b>C</b>
511.025	24volt	location lighting & function lighting <b>C</b>

### OFF-ON-ON SWITCHES

511.026	*	
511.031	12volt	location lighting & function lighting <b>C</b>
511.032	24volt	location lighting & function lighting <b>C</b>
511.137	24volt	location lighting & function lighting <b>C</b>
511.138	12volt	location lighting & function lighting <b>C</b>

### ON-OFF-ON SWITCHES

511.050	*	six 6.3mm flat connectors
511.070	*	eight 6.3mm flat connectors
511.055	*	spring loaded centre off

#### SUGGESTED INSERTS



596.122 Window Lift  
Green

### ON-OFF-MOMENTRY ON

511.112	*	Single speed wiper motor & washer
---------	---	-----------------------------------

#### SUGGESTED INSERTS



596.603 Single Speed  
Wiper and Wash Green

### HAZARD WARNING SWITCH

511.192	12volt
511.193	24volt

#### SUGGESTED INSERTS



596.191 Hazard Warning  
Red

### WARNING/PILOT LIGHT

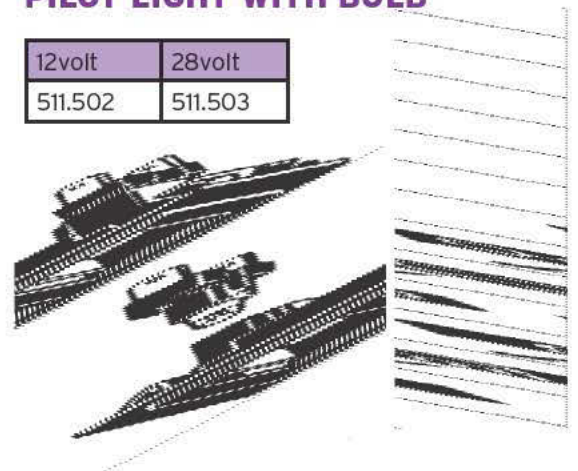
12volt	28volt
596.956	596.710



Wedge based bulb W2 x 4.6d  
12V 1.2W W286  
24V 40MA 920678

### PILOT LIGHT WITH BULB

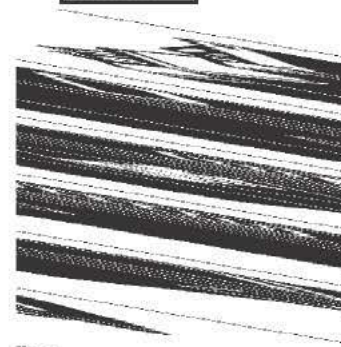
12volt	28volt
511.502	511.503



### POTENTIOMETER

As dimmer for instrument lighting.

17 W
501 338



For 533 Style Rocker  
Switch substitute  
**first three digits**  
above i.e. **511.000**  
becomes **533.000**

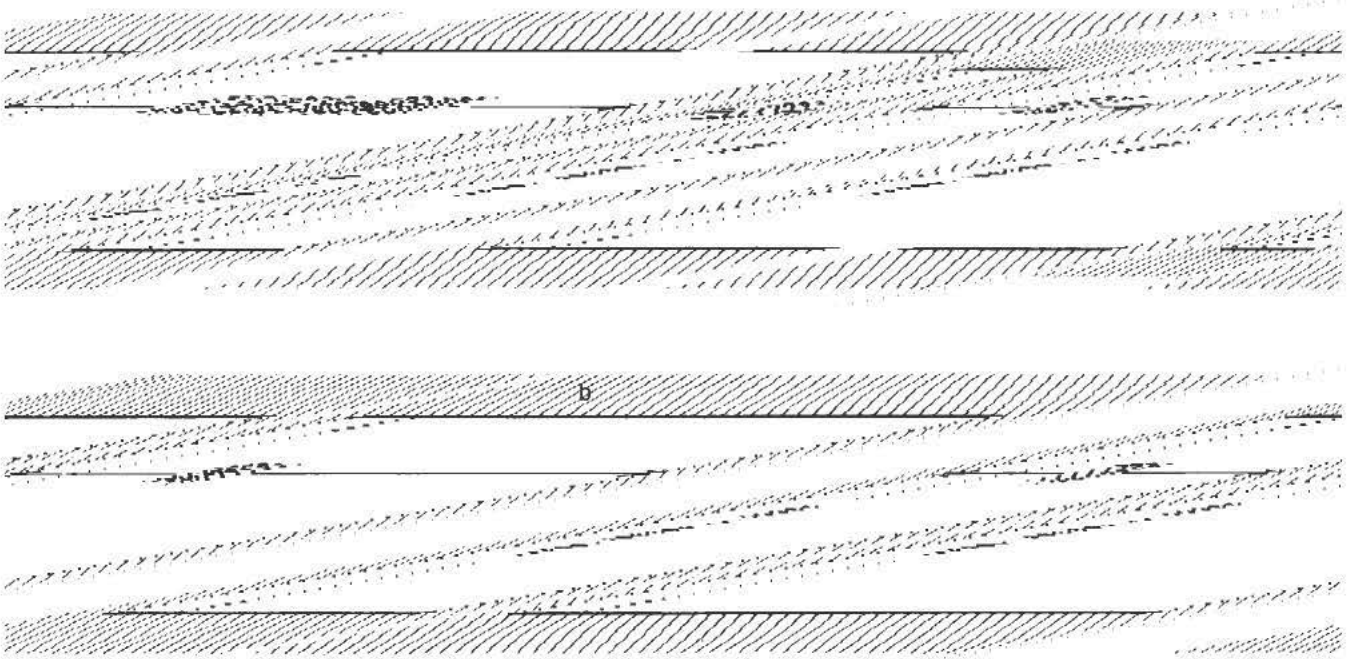
### PANEL CUT-OUT DETAILS

(max installation depth 60mm)  
Panel thickness 1 - 25mm

#### 511 + 533 RANGES

2 x 594 802

2 x 594 802 + ..594 801

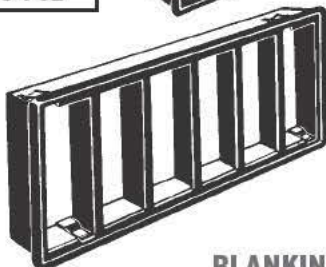
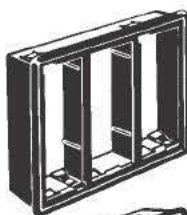


### MOUNTING OPTIONS

#### MOUNTING FRAME

black  
595 502

black  
595 902



#### BLANKING PLATE

black  
596 273

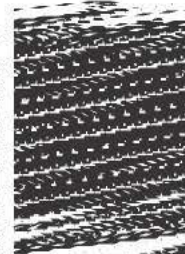


#### intermediary piece

black  
594 801

#### end piece

black  
594 802



end piece

end piece  
intermediary piece

When contacting **Britax** for switch information, please ensure you have as much information as possible including:

- \* **Voltage**
- \* **application**
- \* **Type of switch**



## SYMBOL LIGHTING OPTIONS (511 SERIES)

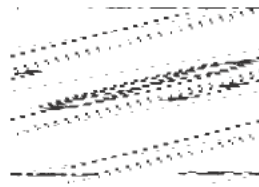
Switch max load/Volts:

12 V	24 V
16 A	8 A

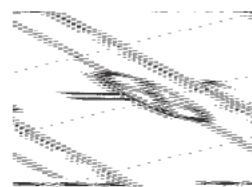
Detailed wiring diagrams are available for the full range of rocker switches. Please contact Britax for details.



Function lighting  
(always full brightness when lit)



Locating lighting  
(always half bright when lit)



Locating and function lighting  
(half bright in off position and full bright in on position when lit)



## POPULAR SYMBOL OPTIONS (511 SERIES)

 596.603 green	 596.625 green	 594.405 green
 594.767 green	 596.313 green	 595.442 green
 596.303 green	 596.169 blue	 596.643 green
 596.472 green	 596.473 green	 595.421 green
 595.105 green	 596.640 green	 595.967 green
 596.651 green	 596.637 green	<b>STOP</b> 594.434 red
 596.629 green	 596.649 green	 595.400 yellow/white
 596.628 green	 596.113 orange	 596.614 red
 594.465 yellow/white	 596.195 green	 596.422 green

<b>Plain</b>	596.230	596.620	596.650	596.615	596.100	596.610	595.620
<b>Lens</b>	orange	black	green	red	white	yellow	blue

### 588 SERIES INSERTS GREY FOR 533 SWITCHES

588.110	588.157	588.213	588.299	588.310	588.311	588.312	588.313	588.314	588.315
588.316	588.317	588.318	588.319	588.320	588.321	588.322	588.323	588.324	588.325
588.326	588.327	588.328	588.329	588.330	588.331	588.332	588.333	588.334	588.335
588.336	588.337	588.338	588.339	588.340	588.342	588.343	588.394	588.396	588.398
588.401	588.548	588.549	588.550	588.551	588.570	588.571	588.572	588.573	588.574
588.575	588.576	588.577	588.578	588.579	588.580	588.581	588.582	588.583	588.584
588.585	588.586	588.587	588.623	588.624	588.625	588.626	588.627	588.628	588.687
588.688	588.708	588.709	588.710						

Please Note: Of the products listed below, we only normally stock the most commonly used parts. Please contact Britax for details of availability before ordering.

Type 'C' Inserts c/w Function Light & Symbol									
	588.049	588.084	588.094	588.095	588.096	588.097	588.122	588.126	
	588.130	588.131	588.138	588.142	588.143	588.175	588.216	588.218	588.220
588.222	588.224	588.226	588.228	588.230	588.233	588.234	588.302	588.303	588.304
588.305	588.306	588.307	588.711	588.712	588.713				
Type 'C' Inserts c/w Two Symbol									
	588.108	588.189	588.193	588.297	588.298				
Inserts only available pre assembled with Locking Switch									
	588.192	588.151	588.152	588.284	588.684				
<b>588 SERIES INTERST RED</b>						Type 'C' Inserts c/w Function Light & Symbol			
	588.102	588.115	588.341	588.400	588.435		588.067	588.068	588.069
					Inserts only available pre -assembled with Locking Switch				
588.070	588.077	588.117	588.231	588.065		588.066	588.120	588.154	

**CALL OUR  
SALES TEAM  
01262 670161  
FOR DETAILS**



### BEACONS & LIGHTBARS

27031.....	6	270.00.....	8	B180.00.....	28	959.00.....	85	10484.00.....	70		
10085.....	7-31	27031.....	6-31	B184.00.....	28	E05.00.....	86	10512.00.....	59,61		
10240.....	6,11,16,21	271.00.....	13	B20.00.....	6	K02.00,01,02.....	86	12004.6.....	44		
10318.00.....	7,12,22	272.00.....	17	B21.00.....	11	<b>LAMPS &amp; REFLECTORS</b>					
10398.00.....	6,11,16,20	274.00.....	22	B22.00.....	16	10000.01.....	46	12139.01.....	65		
10422.00.....	10,14,19,24	280.00.....	8	B24.00.....	20	10001.00.....	61	12152.00.....	65		
10423.00.....	8-24	281.00.....	13	B24.70.....	20	10006.6306.....	55	12253.00.....	68		
10438.00.....	7,12,17,21	282.00.....	17	B25.00.....	25	10044.01233.....	49,50	12253.00.....	69		
10438.10.....	8-26	284.00.....	23	B27.00.....	28	10046.01262.....	50	12261.00.....	56		
10438.13.....	27	290.00.....	8	B330.00.....	7	10047.7232.....	44	12261.01.....	48,56		
10493.00.....	8,13,17,22	291.00.....	13	B331.00.....	12	10047.7262.....	50	12307.00.....	61		
10503.00.....	9,14,24,27	292.00.....	18	B334.00.....	22	10051.01233.....	49,50	12338.00.....	71		
10514.00.....	6-20	29211.00.....	6,11,16,20	B50.00.....	9	10054.....	64	12354.00.....	71		
10514.04.....	9-27	294.00.....	23	B51.00.....	14	10100.01.....	54	12355.00.....	71		
10541.00.....	25,28	295.00.....	26	B52.00.....	18	10100.02.....	54	12376.00.....	72		
13001.00.....	8,13,17,22	320.00.....	6	B54.70.....	23	10101.01.....	44	12386.00.....	66,78		
13002.00.....	8-31	321.00.....	11	B55.00.....	27	10102.01.....	58	12508.01.....	58,61		
13109.01.....	29	322.00.....	16	B60.00.....	9	10103.....	63	12508.02.....	53,61		
13109.20.....	29	324.00.....	20	B61.00.....	14	10104.....	63	12508.04.....	61,64,73,74		
13109.25.....	29	370.00.....	6	B64.70.....	24	10110.00.....	55	12508.05.....	61		
13109.30.....	29	371.00.....	11	B65.00.....	27	10110.01.....	55	12508.06.....	61		
13109.40.....	29	372.00.....	16	B70.00.....	10	10139.00.....	63	13182.00.....	65		
13162.00.....	6,11,16,21	374.00.....	21	B72.00.....	19	10139.00,02.....	84	1323.00.....	48,56		
13204.00.....	6,11,16,20	390.00.....	7	B74.00.....	24	10141.00,101,102.....	84	13235.00,10.....	51		
13545.00.....	7-26	391.00.....	12	B80.00.....	10	10251.03.....	50,51,52	13253.00.....	59,61,64		
13551.04.....	30,31	392.00.....	17	B81.00.....	15	10251.04.....	50,51,52	13253.01.....	61		
13604.50.....	9,14	394.00.....	21	B82.00.....	19	10254.00.....	59	1352.00.....	74		
13604.51.....	24	395.100.....	26	B84.24.....	24	10255.....	60	1352.01.....	74		
13604.52.....	27	397.70.....	21	B90.00.....	10	10270.00.....	59	13524.07.....	49		
13605.50.....	9,14	A100.00.L12V.....	40	B91.00.....	15	10270.01.....	60	13568.00.....	72		
13605.51.....	18	A12708.000.DV.....	40	B92.00.....	19	10271.01.....	52	13572.00.....	49		
13605.52.....	27	A12738.000.DV.....	40	B94.70.....	25	10330.00.....	66,69	13585.00.....	53,58		
13605.53.....	23	A12738.100.DV.....	40	B95.00.....	27	10349.0.....	65,66	13585.01.....	58		
13606.50.....	10,14,15,19	A12759.000.DV.....	40	K49.00.....	40	10365.00.....	63	13585.02.....	44,58		
13606.50.....	10	A12759.100.DV.....	40	<b>ELECTRICAL</b>				10365.00.....	63	13591.00.....	71
13606.51.....	24,25	A12779.000.DV.....	40	12044.....	86	10366.00.....	63	13609.00.....	74		
13606.54.....	30	A421.00.....	30	13340100.....	86	10367.00.....	47	14129.2.....	65,66		
14200.00.....	21	A424.00.....	31	14094.00.....	86	10371.10.....	65	14202.00.....	66		
14218.00.....	20-31	A431.00.....	30	14098.01.....	85	10391.00.....	65	15252.00.....	62		
15181.....	29	A451.00.....	30	14098.01.....	85	10400.00.....	63	15281.00.....	48,56		
15214.....	6-31	A454.00.....	31	14099.01.....	85	10401.00.....	47	15296.00.....	62		
15244.00.....	6,11,16,20	A6 AEROLITE LIGHT BARS.....	32-36	14200.00.....	85	10412.00.....	57	16027.....	69		
15330.01.....	7,9,24	A6 AEROLITE SIGN PLATES.....	37	14201.00.....	86	10412.01.....	46	16173.....	69		
18106.00.....	31	A6 AEROLITE SPARE PARTS.....	37-39	14204.00.....	87	10412.02.....	55	16373.00.....	70		
18454.14.....	30	A6546.300.....	40	14204.01.....	87	10413.00.....	57	18100.00.....	53,54		
18541.00.....	8,13,17,22	A6556.300.....	40	14205.00.....	87	10413.01.....	45	18542.00.....	62		
18544.00.....	7,12,22,26	B10.00.....	7	14205.01.....	87	10430.01.....	56	18548.00.....	71		
18545.00.....	30,31	B100.00.....	28	14218.00.....	85	10430.03.....	57	18548.01.....	71		
18547.00.....	30,31	B104.00.....	28	14219.00.....	85	10445.00.....	46,47	18549.00.....	67		
20/20 LIGHT BARS.....	40	B11.00.....	12	14995.00.....	87	10457.00.....	62,64	18549.01.....	67		
20285.8.....	6,11,16,21	B14.00.....	22	29102.00.....	86	10466.00.....	45	18550.00.....	67		
20378.00.....	6-26	B15.00.....	26	33010000.....	87	10467.00.....	48	18550.01.....	67		
		B150.00.....	28	3540.00.....	86	10468.00.....	56	18551.00.....	67		
		B154.00.....	28			10480.00.....	68,69	18551.01.....	67		
								18552.00.....	71		

18552.01.....	71	640.00.....	54	K42.00.....	78	L54.00,02,03.....	79	7260.002.A.....	103
18553.00.....	71	641.00.....	54	K43.00.....	79	L55.00,01,02,03,04.....	79	7260.003.A.....	103
18553.01.....	71	707.100.....	66	L01SERIES.....	62	L55.00.DV.KIT.....	79	7270.050.A.....	103
28038.....	69	708.100.....	66	L03.01.....	61	L56.00,01,02,03.....	80	7270.550.A.....	103
29280.00.....	73,74	738.00.....	59	L03.02.....	61	L57.00,02,03,04.....	80	7300.035.....	96
29280.01.....	73,74	738.01.....	59	L03.03.....	61	L59.00.....	81	7300.122.A.....	95
29281.00.....	73,74	739.00.....	60	L03.06.....	61	L60.00.....	81	7300.131.A.....	95
29281.01.....	73,74	740.00.....	59	L06.....	72	L61.00.....	81	7404.002.05.....	90
29282.00.....	72,73	742.00.....	60	L09.00.....	71	L62.00.....	69	7418.005.05.....	93
29282.01.....	72,73	764.00.....	44	L09.01.....	71	L62.100.....	69	7418.006.05.....	94,96,97
29283.00.....	72,73	8011.00.....	46,57	L11.01.....	53	L66.00.....	81	7604.001.....	94
29283.01.....	72,73	813.00.....	55	L11.03.....	58	L66.01.....	81	7720.004.....	97
29286.00.....	73,74	814.01.....	46	L11.06.....	59	L68.00.....	81	7802.000.....	98
29286.01.....	73,74	815.01.....	64	L11.09.....	64	L71.00.....	83	7803.000.....	99
29290.00.....	74	816.00.....	55	L12SERIES(BULB).....	61	L71.02.....	83	7803.001.....	98
29290.01.....	74	816.01.....	55	L12SERIES(LED).....	73	L72.00,01.....	82	7812.161.....	93
29291.00.....	74	821.01.....	45	L13SERIES(BULB).....	61	L897.00.....	78	7840.002.....	99
29291.01.....	74	822.01.....	46	L13SERIES(LED).....	74			7900.005.....	96,97
427.200.....	49	823.01.....	55	L14.10.....	75	<b>MIRRORS</b>		RS1.....	90
427.300.....	50	824.01.....	57	L14.11.....	75	4002.590.....	97	Z3002.068.10.....	91
428.104.....	49	825.01.....	57	L14.12.....	75	7020.000/.001.....	94	Z4002.444.05.....	97
429.00.....	50	867.00.....	65	L14.13.....	75	7031.004.A.....	95	Z4002.475.05.....	93
429.100.....	52	867.50.....	65	L14.14.....	75	7105.000.A.....	97	Z4002.488.10.....	91
429.200.....	51	868.00.....	65	L14.200 SERIES.....	76,77	7106.000.A.....	93	Z4002.496.10.....	92
429.500.....	51	868.50.....	65	L15.00.....	44	7106.002.A.....	93	Z4002.496.10.....	94
429.600.....	51	869.00.....	69	L15.01.....	53	7107.001.A.....	93	Z4002.496.10.....	94
430.00.....	50	881.00.....	45	L15.02.....	58	7107.500.A.....	93	Z4002.498.10.....	90
431.00.....	50	882.00.....	57	L15.03.....	58	7107.501.A.....	93	Z4002.820.....	97
433.00.....	52	883.00.....	56	L15.04.....	58	7112.020.A.....	92	Z4003.187.....	97
433.01.....	52	892/893/894 SERIES.....	66	L15.101.....	53	7112.021.A.....	92	Z4003.401.05.....	97
433.02.....	54	895.00.....	65	L15.102.....	58	7112.031.A.....	92	Z4003.420.05.....	92
434.00.....	53	896.00.....	65	L15.103.....	58	7112.041.A.....	92	Z4003.421.10.....	92
434.01.....	54	897.00.....	66	L15.104.....	58	7120.200.A.....	90	Z4007.067.....	100
449.00.....	45	9004.00.....	64	L16.00.....	72	7120.320.A.....	91	Z4007.313.....	100
449.02.....	48	9006.00.....	46	L17.00.....	67	7121.320.A.....	91	Z4007.456.....	100
449.03.....	48	9008.00.....	63	L17.100.....	67	7124.000.A.....	90	Z4007.522.....	101
449.04.....	56	9009.00.....	47	L18.00.....	67	7130.000.A.....	95	Z4007.523.....	101
489.75.....	84	9020.00.....	63	L18.100.....	67	7130.001.A.....	95	Z4007.526.....	101
489.76.....	84	9020.01.....	63	L20.00.....	67	7130.002.A.....	95		
489.77.....	84	9058.00/.01.....	47	L20.100.....	67	7130.004.A.....	95		
493.00,01,02.....	84	9059.00.....	62	L25.10.....	74	7131.000.A.....	94	<b>SWITCHES</b>	
5811.102.....	70	9059.01.....	62	L25.20.....	74	7131.001.A.....	94	511 SERIES.....	110
5811.103.....	70	9060.00.....	83	L27.00.....	71	7132.001.A.....	96	511 SERIES SYMBOLS.....	112
5814.00.....	68	9060.05.....	83	L27.01.....	71	7132.500.A.....	97	533SERIES.....	110
5815.00.....	68	9087.00.....	47	L28.00.....	71	7132.501.A.....	97	533SERIES SYMBOLS.....	114
5825.00.....	70	9088.00.....	63	L28.01.....	71	7133.000.A.....	96	COLUMN SWITCHES.....	106
5825.01.....	70	9089.00.....	63	L41.00.....	72	7133.001.A.....	96	DIAGRAMS.....	107
5833.0.....	69	9090.00.....	83	L41.01.....	72	7180.320.A.....	92	LIGHTING OPTIONS.....	113
5833.02.....	68	9094.00.....	83	L41.02.....	72	7182.201.A.....	94	MOUNTING OPTIONS.....	112
605.00.....	48	9300.00.....	60	L427.200.....	72	7182.320.A.....	92	PANEL CUTOUT DETAILS.....	112
614.00.....	56	938.00.....	70	L427.300.....	73	7200.007.A.....	101		
636.00.....	44	959.00.....	62,74	L428.104.....	73	7200.025.A.....	102		
638.00.....	58	E07.00.....	78	L44.00.....	80	7200.050.A.....	102		
639.00.....	49	K07.00.....	72	L52.00,01,02,03,04.....	78	7200.099.A.....	102		

### M.398 - Windscreen

The ideal answer for a windscreen for all two-wheeled vehicles

Made from Cobex, which is virtually unbreakable.

The metal parts are exceedingly robust and have the added advantage of being not only attractive in styling but very strong and give an easy adjustment for height and angle of the screen.

# 69/6

RETAIL



### GRAND PRIX

The Grand Prix harness is constructed from 100% terylene webbing and uses high quality metal fittings. It is available only with crutch straps. The 4-way release buckle has been developed by Britax Engineers for strength and simplicity. This harness is intended for use in single seaters, sports G.T. and prototype vehicles.

NOT suitable for saloon cars or G.T. and sports cars with reasonable space behind front seat for mounting a long tail strap.

When ordering state type of end fitting required i.e. flat plate 907C or clip-on 907D.

Part Nos 907C and 907D



### INTERNATIONAL

The International is constructed from the same materials as the Grand Prix, using the same 4-way release buckle, but is fitted with a long tail strap for fitting in saloon cars and in certain G.T. and sports cars.

This harness is supplied with clip type fittings only.

NOTE: Due to the mounting position of tail strap, this harness is only suitable for competition use by competitors in saloon car racing or rallying, in those cars where no rear passengers are carried. For Spittin.

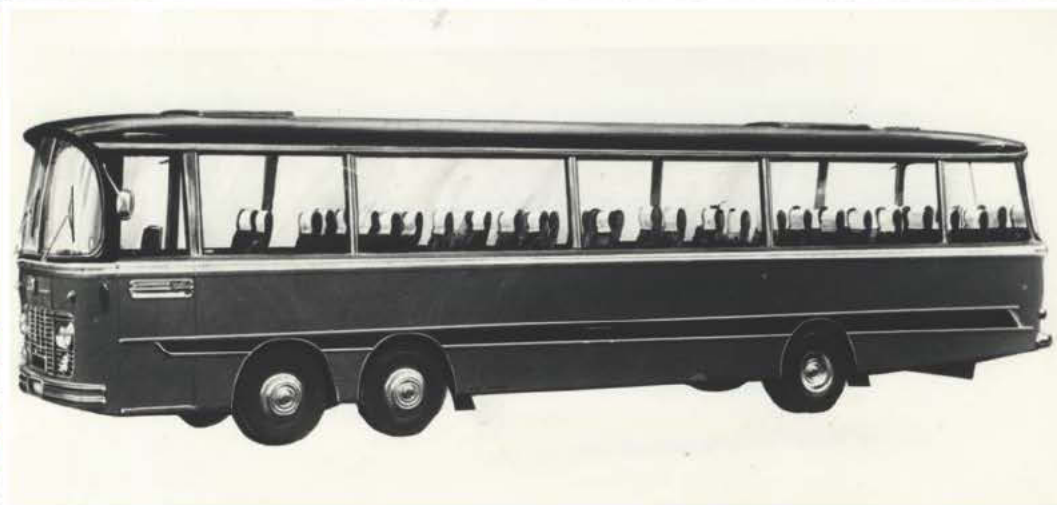
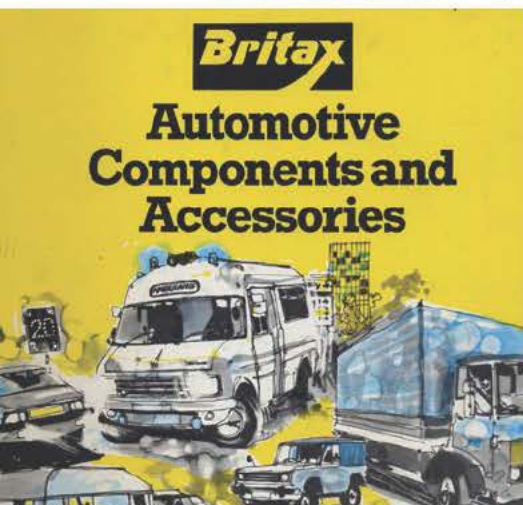


# Britax

# Heritage

For quality automotive equipment since 1946





SPECIFY VOLTAGE WHEN ORDERING



**LAMP 737**

**LAMP 737**

'Slimline' Design. Blue lens 5" dia. Fully adjustable bracket. High light intensity. 6 volt 18/21 watt bulb. To be used in conjunction with interrupters: 51171 or 390 for flashing.



**FLASHER UNIT No. 51171**

Conventional type of Thermal Flasher Unit.  
60/120 interruptions per minute.  
Must be weatherproofed for efficient operation.



The products detailed in this catalogue represent our current range, and whilst every effort has been made to ensure accuracy of the information supplied, customers are requested to satisfy themselves of the suitability of any products required.

As Britax PMG Ltd employs a continuous development process, we reserve the right to amend specifications without prior notice.

Britax PMG Ltd produce 3rd angle projection drawings in accordance with BS 308 Part 1; however in this catalogue due to the variety of product, the space available and the need to show the most important dimensional information this may not always be possible. All dimensions are for reference only. Full outline/Customer drawings are available on request for most products.