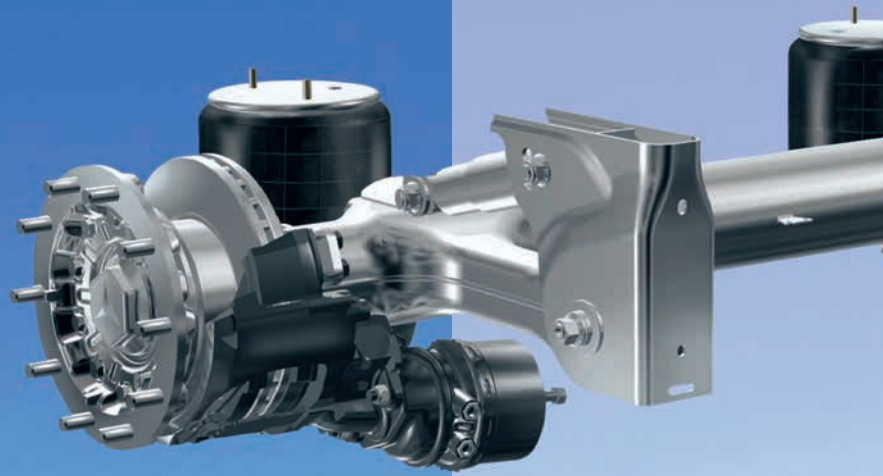


# Spare parts for JOST Axle Systems

*Engineered by Mercedes-Benz*



# Products for truck and trailer



You will find these products in this catalogue



Axle Systems

# JOST – from small workshop to global player

JOST's history began as a typical post-war success story. In the early 1950s, Neu-Isenburg is home to two real movers and shakers – Hans Breuer and Joseph Steingass. Inspired by the semitrailer trucks they had seen the American troops using in Frankfurt, they began developing fifth wheel couplings made of cast steel. They filed a patent for their invention in 1955, and received general type approval in 1960.

This quickly turned the former forge for ball bearing turntables into an extremely successful company that has been market leader in the field ever since. The expansion into international markets, which began as far back as the 1960s, has also played a big part in JOST's positive development. JOST is currently represented on every continent in the world, with 16 production sites and another 11 sales offices.

The start of the new millennium signalled another milestone in the company's history. The production technology and product range were extensively modernised, while the takeover of JOST by well-financed investors made the acquisition of appropriate companies possible.

Today, it is impossible to imagine the truck and trailer market without JOST World – and its four strong brands JOST, ROCKINGER, TRIDEC and Edbro – as a globally active provider of components and systems.

However, just as the company's main office in Neu-Isenburg still rests on the foundation walls of the former forge, JOST's success is based on characteristics that are in the company's DNA now and when it was founded: outstanding engineering services for the products the market needs, teamed with spirit and brave decisions.

#### **How to contact us:**

JOST, Siemensstraße 2, 63263 Neu-Isenburg, Germany

Phone: +49 6102 295-0, Fax +49 6102 295-298

E-Mail: [jost-sales@jost-world.com](mailto:jost-sales@jost-world.com)

**JOST**  **ROCKINGER**  **TRIDEC**  **Edbro**



# Content

<b>Introduction</b>	<b>Page</b>	<b>2 – 5</b>
Products for truck und trailer		2
Original spare parts for your Mercedes-Benz and JOST trailer axles		5
<b>Spare parts for DCA axles</b>	<b>Page</b>	<b>6 – 25</b>
JOST spare parts for DCA axles		6
Identifying the JOST axle		7
Replacement axle/Axle housing		8
Axle housing		9
Hub assembly		10
Suspension connection, front		11
Suspension connection, rear		12
Brake SN6-19,5"		14
Brake SN7-22,5"		15
Brake SK7-22,5"		16
Brake JOST DCA-L7-22,5"		17
Brake chambers		18
DCA AIRMASTER (Axle with compressed air reservoir)		19
DCA STEERMASTER (Steering axle)		20
Twin lift		22
Twin lift "rocker"		24
Center Lift		25
<b>Parts reference list</b>	<b>Page</b>	<b>26 – 32</b>
Parts reference list Mercedes-Benz to JOST		26

# Original spare parts for your Mercedes-Benz and JOST trailer axles



## Effective immediately: Original spare parts for your trailer axles – Safe and easy from JOST

In January 2015, JOST has taken over Mercedes Benz TrailerAxleSystems. This made JOST one of the leading manufacturers of trailer axles in Europe. Since then, the former Daimler Mercedes-Benz TrailerAxleSystems segment has been part of a dynamically growing system supplier for the utility vehicle industry with excellent global positioning.

The merger offers numerous benefits for our customers. The dependable and quick supply of original spare parts through the JOST distribution network is one of them. JOST is assuming the responsibility for providing original spare parts for all trailer axles from Mercedes-Benz. This means: Original spare parts from JOST as a manufacturer of the DCA axle series in the proven series production quality. Only JOST original spare parts guarantee the safety, high performance and longevity of your axles.

JOST offers various wear parts as repair sets to make the provision of original spare parts easier. As a customer, you benefit from our knowledge as the market leader for truck and trailer components: Practical sets and user friendly assembly instructions. For example, parts that are needed to renew the brakes or chassis connection can be ordered as a set with only one order number.

Just like other original parts from JOST, spare parts for trailer axles are delivered to you in the distinctive packaging with the tamper-proof hologram: This is the only way to rest assured that your repair was truly performed with JOST quality!

# JOST spare parts for DCA axles

## 1. DCA - an axle series with many advantages

The compact axle beam gives the axle series the name DCA – Durable Compact Axle. Integrating all the axle functions creates a compact axle housing that is extremely durable

and lightweight thanks to its innovative construction. The axle housing integrates the trailing arm, axle tube, brake flange and axle journal, forming a perfect unit.



## 2. DCA series

### 2.1 DCA WEIGHTMASTER

The DCA WEIGHTMASTER is the core member of the axle series. Its low weight – from just 381 kg, depending on which version – coupled with its durability, the advantage of fewer components (due to its monocoque design) coupled to the maintenance-free compact bearings, makes it ideal for use in the European transport industry. With its modular design, it is compatible with nearly all trailers, from platform semitrailers, curtainsiders, tippers, tankers and bulk distribution. The DCA WEIGHTMASTER is compatible with 19.5" or 22.5" wheels.

### 2.2 DCA MEGAMASTER

The DCA MEGAMASTER was designed specifically for large volume semitrailers with an interior height of three metres. This special-purpose axle and suspension is for high-volume road haulage applications, and vehicles that require a long axle travel, this range is based on the innovative and proven components of the DCA series. Despite the low ride height, loading docks can be reached for the purpose of loading and unloading.

### 2.3 DCA PAVEMASTER

The DCA PAVEMASTER unites an optimised tailend design especially for tippers in road finisher application. The DCA PAVEMASTER has been built to the highest standards to meet the specific demands of road construction. With the new design we were also able to reduce the weight of the DCA PAVEMASTER by up to 12 kg per axle.

### 2.4 DCA RAILMASTER

The new DCA RAILMASTER is designed for use in combined road-rail-sea transport. If a semitrailer is lifted by crane, conventional air bellows can be damaged while the vehicle is being set down. That is why the air bellows of the DCA RAILMASTER consist of two interlocking components which can separate during lifting without air and ensure the optimal position of the air bellows when the semitrailer is set down.

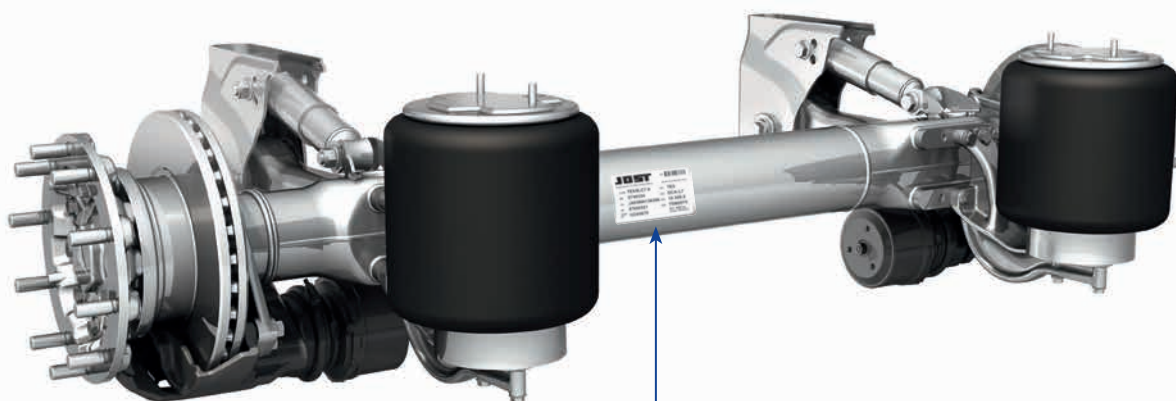
### 2.5 DCA AIRMASTER

As the world's only axle that stores compressed air for the brakes and air suspension in the axle housing, the DCA AIRMASTER is able to dispense with the conventional compressed-air tanks that appear on trailers or semitrailers, thereby freeing up space beneath the trailer as well as reducing weight by up to 50 kg. The DCA AIRMASTER paves the way for the introduction of trailblazing vehicle concepts.


### 2.6 DCA STEERMASTER

An ideal addition to the DCA series. With a steering angle of max. 21 degrees, it negotiates bends with consummate ease, while the lightweight design allows high payloads. In addition, the steering axle reduces the truck's tyre wear and fuel consumption. Like the other axles in the series, the DCA STEERMASTER is based on the tried-and-trusted components of the DCA modular system and, therefore, offers the versatility you expect when it comes to meeting your transport needs.

# Identifying the JOST axle



**JOST**  
Engineered by Mercedes-Benz  
www.jost-axle-systems.com

SN 

model	<b>TE5/8KC7-9</b>	ID1-	<b>TE5</b>
BM	<b>D749334</b>	ID2-	<b>SK7</b>
var.	<b>JX036041303</b>	ID3-	<b>11.772,0</b>
SN	<b>11444289</b>	ID4-	<b>TDB0875</b>
JOST no	<b>1153175</b>		Stat. 9000 kg Vmax 105 km/h

 Daimler AG  
Kassel - Germany  
www.dca-family.com



model	<b>TE5/8KC7-9</b>	ID1-	<b>TE5</b>
type des.	<b>749334</b>	ID2-	<b>SK7</b>
serial no.	<b>H485442</b>	ID3-	<b>11772</b>
var.	<b>036041303</b>	ID4-	<b>TDB 0815</b>
axle load	<b>9.000</b>	kg stat. perm.	v max. <b>105</b> km/h

## Classification of the identification plate

<b>1</b>	<p>TZ = Rigid axle, offset 0</p> <p>TE = Rigid axle, offset 120</p> <p>TL = Steering axle, offset 120</p>																					
<b>2</b>	<p>8 = Series DCA</p>																					
<b>3</b>	<table border="0"> <tr> <td>D749324</td> <td rowspan="4">}</td> <td>DCA WEIGHTMASTER,</td> </tr> <tr> <td>D749325</td> <td>DCA MEGAMASTER,</td> </tr> <tr> <td>D749334</td> <td>DCA PAVEMASTER,</td> </tr> <tr> <td>D749349</td> <td>DCA RAILMASTER</td> </tr> <tr> <td>D749368</td> <td rowspan="2">}</td> <td rowspan="2">Version with tyre inflation system</td> </tr> <tr> <td>D749369</td> </tr> <tr> <td>D749360</td> <td rowspan="2">}</td> <td rowspan="2">DCA AIRMASTER</td> </tr> <tr> <td>D749361</td> </tr> <tr> <td>D749308</td> <td rowspan="2">}</td> <td rowspan="2">DCA STEERMASTER</td> </tr> <tr> <td>D749309</td> </tr> </table>	D749324	}	DCA WEIGHTMASTER,	D749325	DCA MEGAMASTER,	D749334	DCA PAVEMASTER,	D749349	DCA RAILMASTER	D749368	}	Version with tyre inflation system	D749369	D749360	}	DCA AIRMASTER	D749361	D749308	}	DCA STEERMASTER	D749309
D749324	}	DCA WEIGHTMASTER,																				
D749325		DCA MEGAMASTER,																				
D749334		DCA PAVEMASTER,																				
D749349		DCA RAILMASTER																				
D749368	}	Version with tyre inflation system																				
D749369																						
D749360	}	DCA AIRMASTER																				
D749361																						
D749308	}	DCA STEERMASTER																				
D749309																						
<b>4</b>	<p>TDB 0571/0876 = Brake SN7-22,5"</p> <p>TDB 0637/0874 = Brake SN6-19,5"</p> <p>TDB 0815/0875 = Brake SK7-22,5"</p> <p>TDB0877 = Brake DCA-L7-22,5"</p>																					

If spare parts cannot be clearly identified with the type plate information, use the Mercedes-Benz/JOST part number that is imprinted on the components to identify the individual component. The reference list is provided beginning on page 26. Should it still be impossible to determine the spare part, contact the vehicle manufacturer and/or our Service Hotline.

JOST Achsen Systeme GmbH  
Phone: +49 5674 9237-240, Fax +49 5674 9237-488  
E-mail: service.achsen@jost-world.com,  
www.jost-axle-systems.com

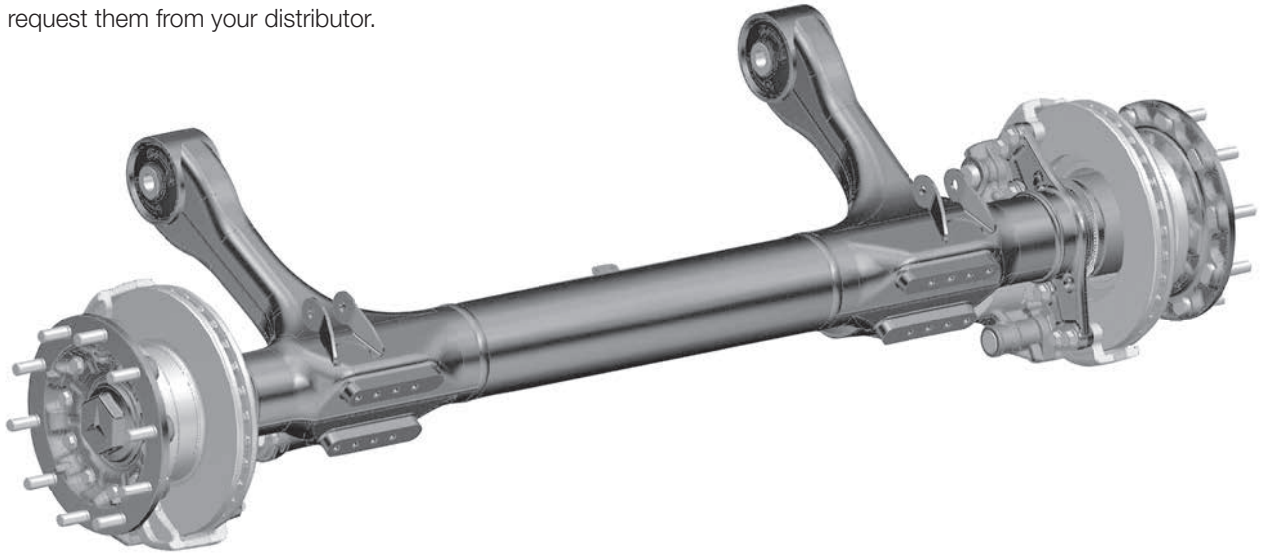
# Replacement axle/Axle housing

## Spare parts

### 1. Axle replacement

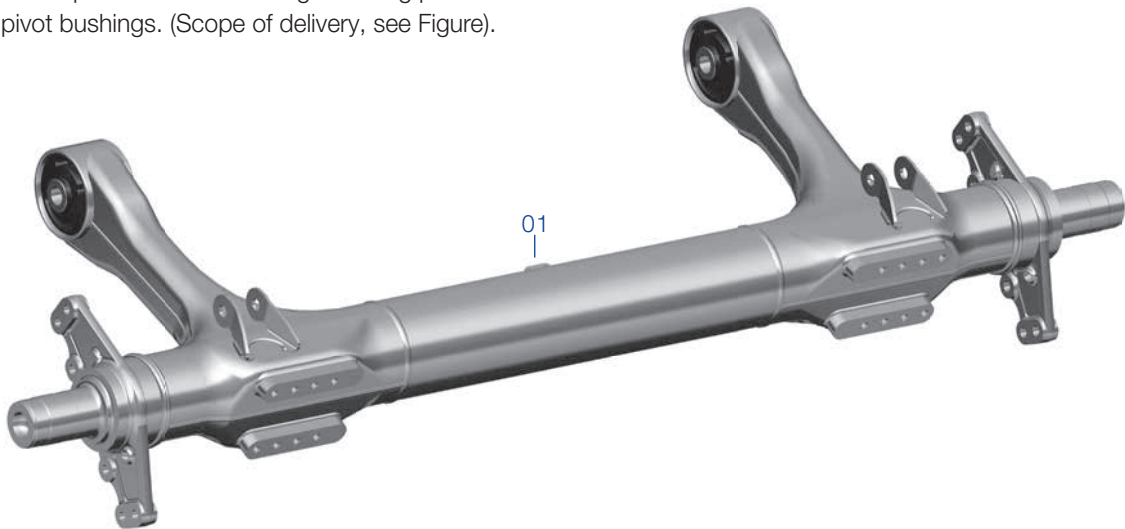
You will receive a replacement axle for your individual wheel/spring link with hub assembly, brakes and mounted 3D pivot bushings. (Scope of delivery, see Figure).

You can request them from your distributor.



### 2. Axle casing replacement

You will receive a replacement axle casing including pre-assembled 3D pivot bushings. (Scope of delivery, see Figure).



An order for replacement axles and/or replacement axle casings requires the inclusion of the "serial no." and/or "SN" from the type plate of the axle. Model and/or axle descriptions are insufficient because the various specifications, such as wheel/spring link combinations, cannot be identified with this information and spare parts can thereby not be identified.

Unless it is damaged, you can reuse the air bellows support kit for DCA axle designs with M14 air bellows support kit screw connections (standard since 2005). Otherwise, you will also need new air bellows support kits.

If it is not possible to determine the spare part, contact the vehicle manufacturer and/or our Service Hotline.

**Air bellows support kit screw connections must always be replaced!**



# Axle housing

## Spare parts

Item	Description	Remark	Order No.	quantity per axle
01	Axle housing	ET120, RS2010, FS1200	JAE 30 502 102 08	1
	Axle housing	ET120, RS2040, FS1150	JAE 30 502 103 08	1
	Axle housing	ET120, RS2040, FS1200	JAE 30 502 104 08	1
	Axle housing	ET120, RS2040, FS1250	JAE 30 502 105 08	1
	Axle housing	ET120, RS2040, FS1300	JAE 30 502 106 08	1
	Axle housing	ET120, RS2090, FS1200	JAE 30 502 107 08	1
	Axle housing	ET120, RS2090, FS1250	JAE 30 502 108 08	1
	Axle housing	ET120, RS2090, FS1300	JAE 30 502 109 08	1
	Axle housing	ET120, RS2090, FS1350	JAE 30 502 110 08	1
	Axle housing	ET120, RS2140, FS1250	JAE 30 502 111 08	1
	Axle housing	ET120, RS2140, FS1300	JAE 30 502 112 08	1
	Axle housing	ET120, RS2140, FS1350	JAE 30 502 113 08	1
	Axle housing	ET120, RS2140, FS1400	JAE 30 502 114 08	1
	Axle housing	ET120, RS1990, FS1300	JAE 30 502 115 08	1
	Axle housing	ET0, RS2040, FS1150	JAE 30 502 116 08	1
	Axle housing	ET0, RS2040, FS1200	JAE 30 502 117 08	1
	Axle housing	ET0, RS2090, FS1200	JAE 30 502 118 08	1
	Axle housing	ET0, RS2090, FS1250	JAE 30 502 119 08	1
	Axle housing	ET0, RS2140, FS1250	JAE 30 502 120 08	1
	Axle housing	ET0, RS2140, FS1300	JAE 30 502 121 08	1
	Axle housing	ET120, RS1940, FS1200	JAE 30 502 122 08	1
	Axle housing	ET120, RS1990, FS1200	JAE 30 502 123 08	1
	Axle housing	ET120, RS1990, FS1250	JAE 30 502 124 08	1
	Axle housing	ET120-AIR, RS2040, FS1300	JAE 33 502 125 08	1
	Axle housing	ET120-AIR, RS2090, FS1300	JAE 33 502 126 08	1
	Axle housing	ET120-AIR, RS2140, FS1300	JAE 33 502 127 08	1
	Axle housing	ET120-AIR, RS2140, FS1350	JAE 33 502 128 08	1
	Axle housing	ET120-AIR, RS2140, FS1400	JAE 33 502 129 08	1
	Axle housing	ET120-AIR, RS2040, FS1200	JAE 33 502 130 08	1
	Axle housing	ET120-RFS, RS2090, FS1200	JAE 34 502 131 08	1

## Repair and retrofit kits

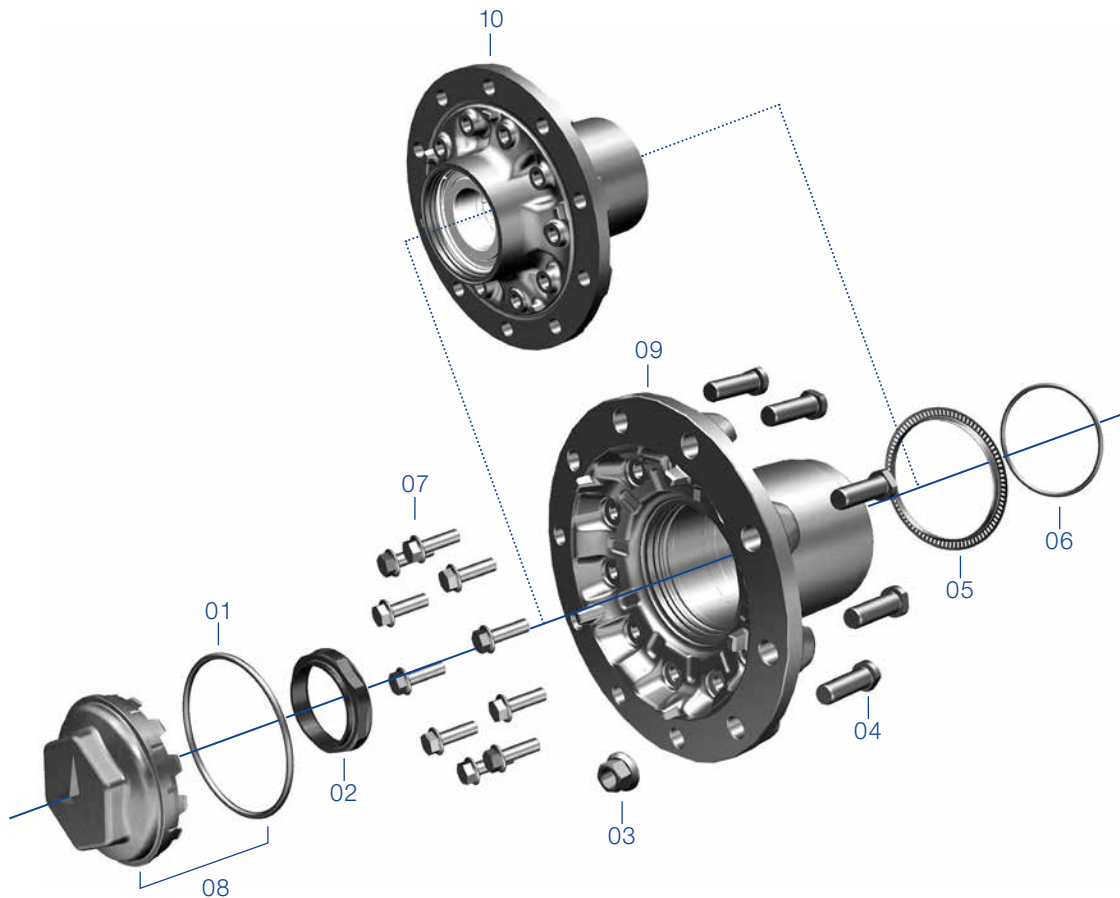
Item	Description	Remark	Order No.	quantity per axle
02	RK Screw connections, air bellows support type A, B, C, E	not shown, see p. 13 "Suspension connection, rear" item 5 "RK Air bellow support"	JAE 00 508 100 14	2
03	RK Screw connections, air bellows support type D	not shown, see p. 13 "Suspension connection, rear" item 5 "RK Air bellow support"	JAE 00 508 101 14	2
04	RK Pivot bolt set	not shown, see p. 11 "Suspension connection, front" item 6 "RK Pivot bolt set"	JAE 30 505 101 55	1

Please order the correct repair kits for the screw connections to assemble the hanger bracket and air bellows support kits.

The hanger bracket and air bellows support kits are assembled with the torque-angle of rotation procedure. The integrity of the screw connections will be damaged after they have been unscrewed. They must therefore be renewed and must not be reused under any circumstances.

# Hub assembly

## Spare parts



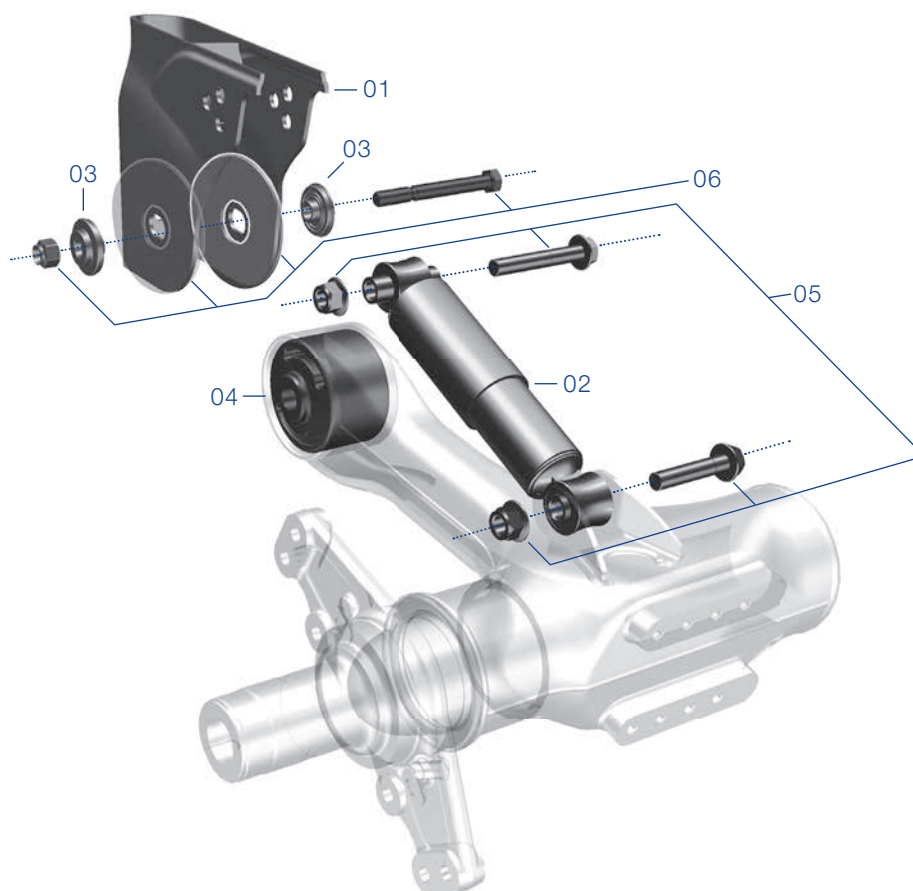
Item	Description	Remark	Order No.	quantity per axle
01	O-ring	Ø 142	JAE 02 103 088 48	2
02	Axle end nut	M 80 x 1.5 RH (right side of vehicle)	JAE 01 209 000 50	1
	Axle end nut	M 80 x 1.5 LH (left side of vehicle)	JAE 01 209 001 50	1
03	Wheel nut	M 22 x 1.5	JAE 00 209 006 72	20
	Wheel nut	M 22 x 1.5 (x10)	JAE 00 209 006 72 10	2
04	Wheel bolt	M 22 x 1.5 x 80	JAE 01 208 024 71	20
	Wheel bolt	M 22 x 1.5 x 80 (x10)	JAE 01 208 024 71 10	2
05	ABS ring	90 tooth	JAE 02 203 005 15	2
06	O-ring	Ø 80	JAE 02 103 097 48	2
07	Bolt	depending on hub/braketype (see brake item 03)		

## Repair and retrofit kits

Item	Description	Remark	Order No.	quantity per axle
08	RK Hub cap	Hub cap and item 01	JAE 02 503 004 20	2
09	RK 120 mm offset hub assembly	incl. compact bearing, item 01 and item 06, for hub assembly model ... 0501, ... 2601 and ... 2801 (last 4 digits on component).	JAE 02 503 028 01	2
10	RK 0 mm offset hub assembly	incl. compact bearing, item 01 and item 06, for hub assembly model ... 0601 (last 4 digits on component).	JAE 02 503 009 35	2

# Suspension connection, front

## Spare parts



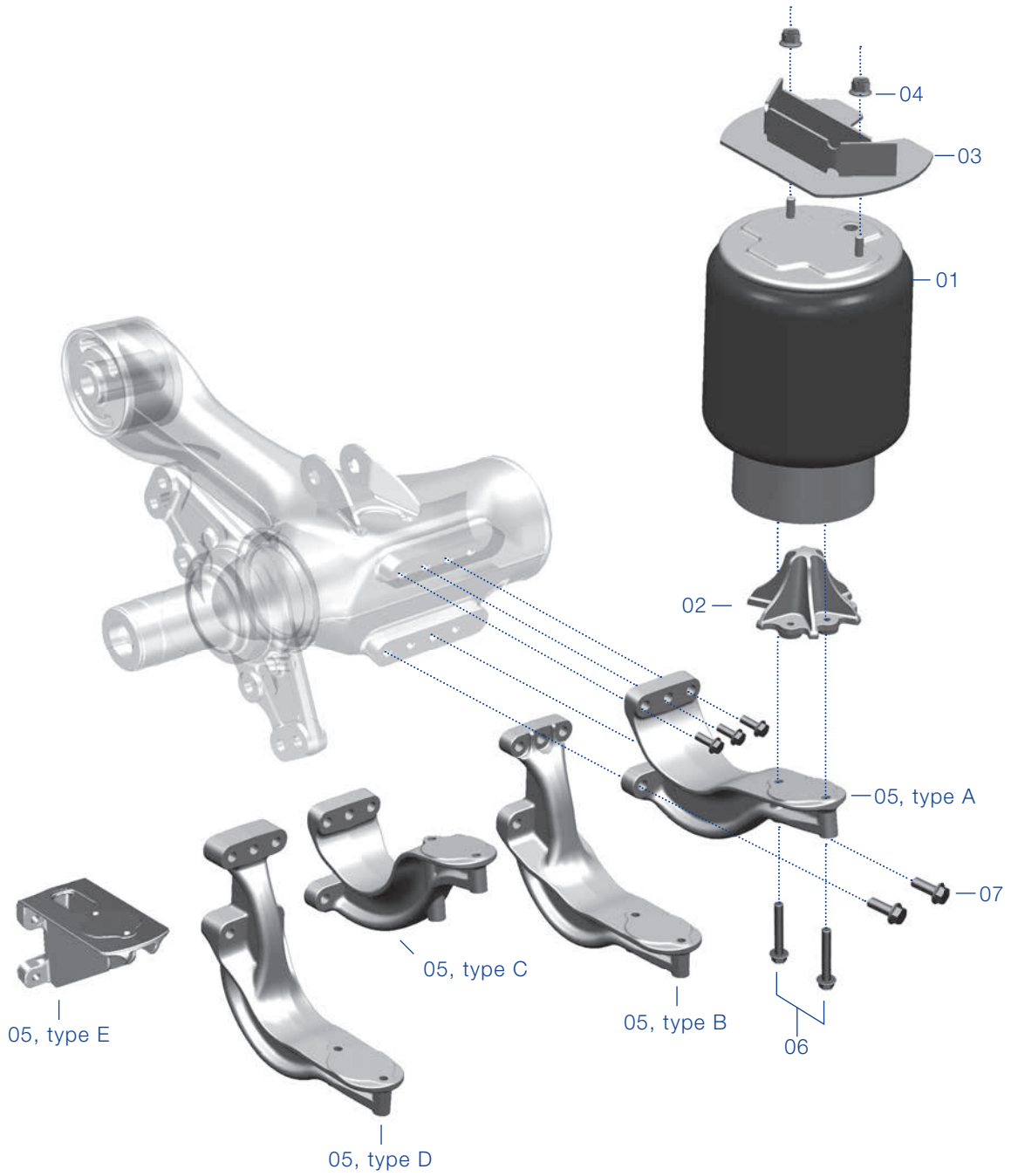
Item	Description	Remark	Order No.	quantity per axle
01	Hanger bracket	H = 250	JAE 30 105 065 78	2
	Hanger bracket	H = 325	JAE 30 105 066 78	2
	Hanger bracket	H = 400	JAE 30 105 067 78	2
	Hanger bracket stainless steel	H = 250	JAE 30 105 071 78	2
	Hanger bracket stainless steel	H = 325	JAE 30 105 072 78	2
02	Shock absorber	short, 279 mm	JAE 30 105 005 00	2
	Shock absorber	long, 294 mm	JAE 30 105 007 00	2
03	Pressure plate	for hanger bracket, steel	JAE 30 205 004 76	4
	Pressure plate	KTL black, for hanger bracket, stainless steel	JAE 30 205 007 76	4
04	3D pivot bushing		JAE 30 205 002 50	2

## Repair and retrofit kits

Item	Description	Remark	Order No.	quantity per axle
05	RK Shock absorber mounting		JAE 30 505 100 55	2
06	RK Pivot bolt set		JAE 30 505 101 55	1
07	RK 3D pivot bushing with screw	item 06 and item 04	JAE 30 505 100 50	1

# Suspension connection, rear

## Spare parts



# Suspension connection, rear

## Spare parts

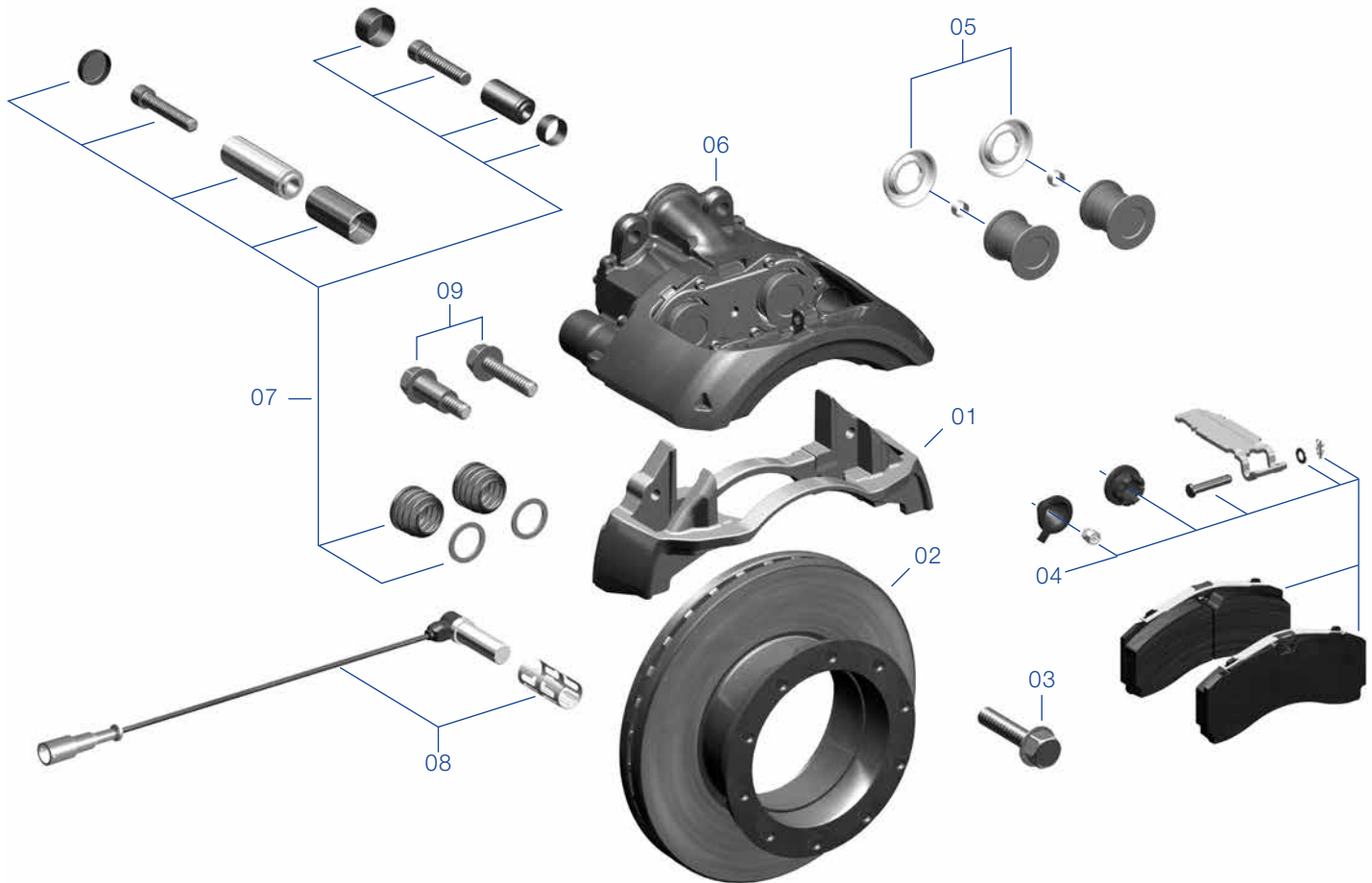
Item	Description	Remark	Order No.	quantity per axle
01	Air bellows	360 L (1D28f and 1T19L-11,5)	JAE 20 105 015 01	2
	Air bellows	360 K (1D28a-13 and 1T19L-7)	JAE 20 105 019 01	2
	Air bellows	360 M (... 2201* and V1DK28h-3)	JAE 30 105 022 01	2
	Air bellows	300 S (... 1401*)	JAE 30 105 014 01	2
	Air bellows	300 I (... 2501*)	JAE 30 105 025 01	2
	Air bellows	300 R (... 2601*)	JAE 30 105 026 01	2
02	Centring cone		JAE 30 205 000 11	2
03	Air bellows pedestal	H = 5	JAE 02 105 070 35	2
	Air bellows pedestal	H = 50	JAE 02 205 003 35	2
	Air bellows pedestal	H = 70	JAE 02 205 004 35	2
	Air bellows pedestal	H = 100	JAE 02 205 006 35	2
	Air bellows pedestal	H = 125	JAE 02 205 010 35	2
	Air bellows pedestal	H = 155	JAE 02 205 008 35	2
	Air bellows pedestal	H = 200	JAE 02 205 018 35	2
04	Nut	M12	JAE 00 209 002 50	4

## Repair and retrofit kits

Item	Description	Remark	Order No.	quantity per axle
05	RK Air bellows support type A	M14, casting marking ... 1241	JAE 30 505 100 34	2
	RK Air bellows support type B	M14, casting marking ... 1141	JAE 30 505 103 34	2
	RK Air bellows support type C	M14, casting marking ... 1341	JAE 30 505 102 34	2
	RK Air bellows support type D	M14, casting marking ... 1441	JAE 30 505 107 34	2
	RK Air bellows support type E	M14, casting marking ... 1841	JAE 30 505 109 34	2
	RK Air bellows support type A	M16, casting marking ... 0841	JAE 30 505 104 34	2
	RK Air bellows support type B	M16, casting marking ... 1541, ... 0941	JAE 30 505 105 34	2
	RK Air bellows support type C	M16, casting marking ... 1041	JAE 30 505 108 34	2
06	RK Screw connection for air bellows	Type E	JAE 00 508 100 12	2
	RK Screw connection for air bellows	Type A, B, D	JAE 00 508 107 12	2
	RK Screw connection for air bellows	Type C	JAE 00 508 102 12	2
07	RK Screw connections, air bellows support type A, B, C, E	M14	JAE 00 508 100 14	2
	RK Screw connections, air bellows support type D	M14	JAE 00 508 101 14	2
	RK Screw connections, air bellows support type A, B, C	M16	JAE 00 508 100 16	2
08	RK offset plate set for tippers	not shown	JAE 30 505 024 35	1

# Brake SN6-19.5"

## Spare parts for Type SN6-19.5" / TDB 0637/0874



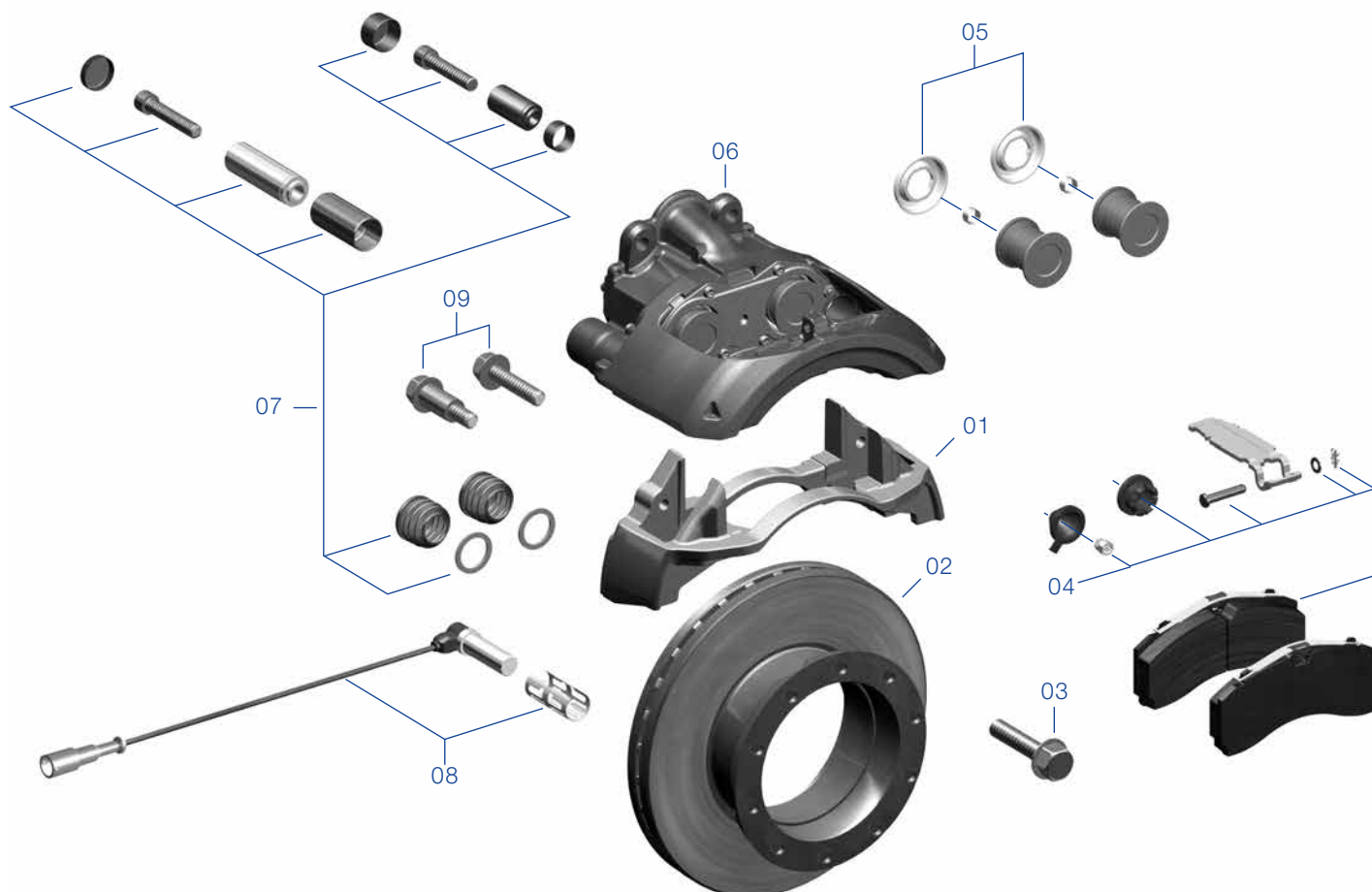
Item	Description	Remark	Order No. brake calliper type SN6-19.5"	quantity per axle
01	Brake carrier		JAE 01 104 020 06	2
02	Brake disc	19.5" - 10 hole	JAE 01 104 000 12	2
03	Bolt	M14 x 1.5 x 45 - 10.9 (x10) use with hub assembly model ... 2601 and ... 2801 (last 4 digits on component).	JAE 00 208 100 14 10	2
	Bolt	M14 x 1.5 x 70 - 10.9 (x10) use with hub assembly model ... 0501 and ... 0601 (last 4 digits on component).	JAE 00 008 106 14 10	2

## Repair and retrofit kits

Item	Description	Remark	Order No. brake calliper type SN6-19.5"	quantity per axle
04	RK Brake pad	for one axle	JAE 02 504 078 20	1
05	RK Thrust pad	SN6, SN7, SK7	JAE 01 504 049 82	2
	RK Thrust pad	SB6, SB7	JAE 01 504 023 82	2
06	RK Caliper	left	JAE 02 504 026 01	1
	RK Caliper	right	JAE 02 504 027 01	1
07	RK Seal and guide	Bellows/ open slide pin (SN6, SB6, SB7) not shown	JAE 01 504 061 74	2
08	RK ABS sensor		JAE 02 504 100 55	2
09	RK Brake calliper screw connection		JAE 30 504 101 55	2
10	RK Wear sensor	Wired version not shown	JAE 02 104 001 18	1

# Brake SN7-22.5"

## Spare parts for Type SN7-22,5" / TDB 0571/0876



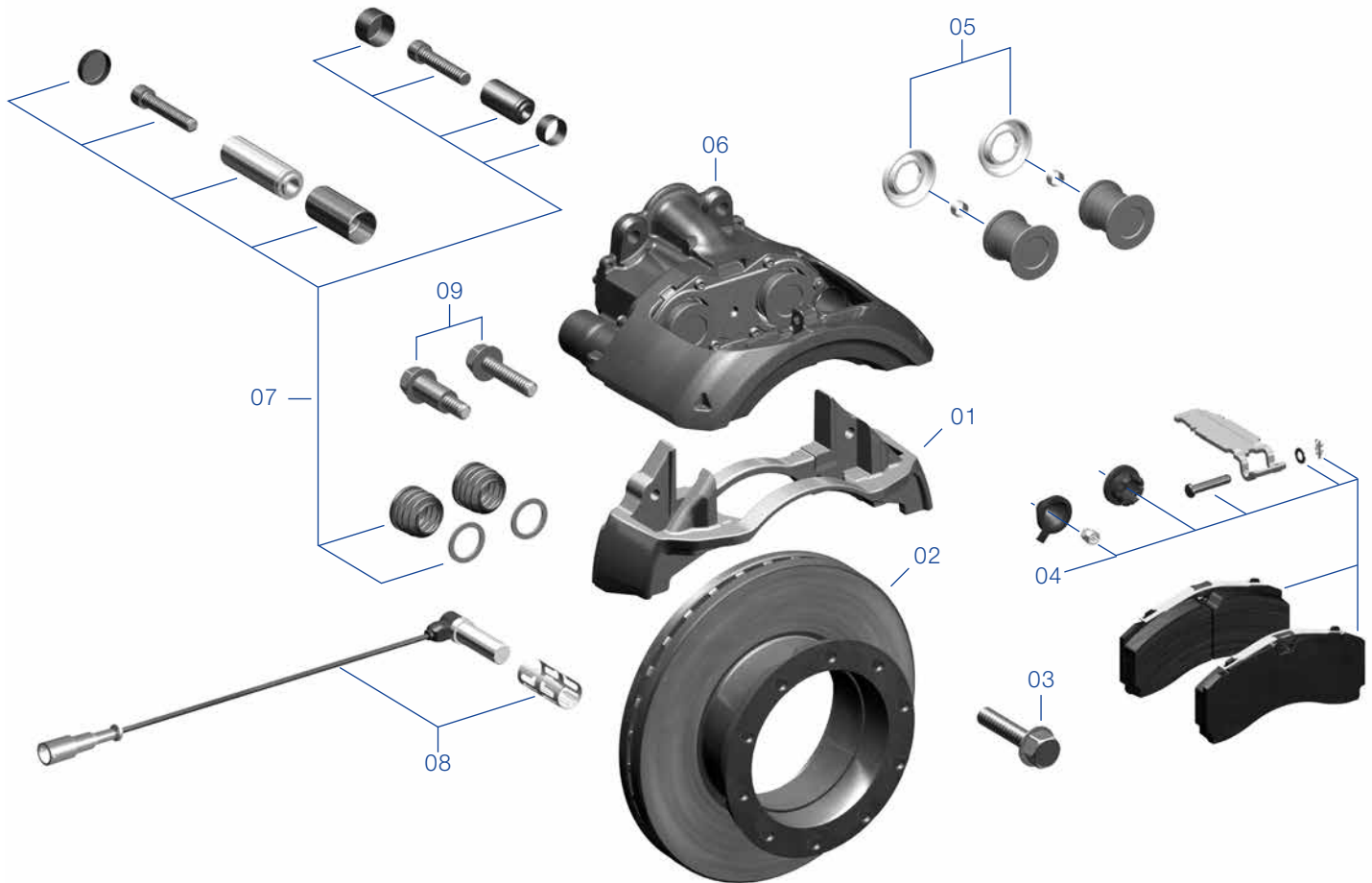
Item	Description	Remark	Order No. brake calliper type SN7-22.5"	quantity per axle
01	Brake carrier		JAE 02 104 025 06	2
02	Brake disc	22.5"	JAE 01 104 001 12	2
03	Bolt	M14 x 1.5 x 45 - 10.9 (x 10) use with hub assembly model ... 2601 and ... 2801 (last 4 digits on component).	JAE 00 208 100 14 10	2
	Bolt	M14 x 1.5 x 75 - 10.9 (x 10) use with hub assembly model ... 0501 and ... 0601 (last 4 digits on component).	JAE 00 208 104 14 10	2

## Repair and retrofit kits

Item	Description	Remark	Order No. brake calliper type SN7-22.5"	quantity per axle
04	RK Brake pad	for one axle	JAE 02 504 010 20	1
05	RK Thrust pad	SN6, SN7, SK7	JAE 01 504 049 82	2
	RK Thrust pad	SB6, SB7	JAE 01 504 023 82	2
06	RK Caliper	left	JAE 02 504 083 83	1
	RK Caliper	right	JAE 02 504 084 83	1
07	RK Seal and guide	with DU slide bearing (SN7, SK7)	JAE 01 504 056 82	2
	RK Seal and guide	Bellows / open slide pin (SN6, SB6, SB7) not shown	JAE 01 504 061 74	2
08	RK ABS sensor		JAE 02 504 100 55	2
09	RK Brake calliper screw connection		JAE 30 504 101 55	2
10	RK Wear sensor	Wired version not shown	JAE 02 104 001 18	1

# Brake SK7-22.5"

## Spare parts for Type SK7-22.5" / TDB 0815/0875



Item	Description	Remark	Order No. brake calliper type SK7-22.5"	quantity per axle
01	Brake carrier		JAE 02 104 039 06	2
02	Brake disc	22.5"	JAE 01 104 001 12	2
03	Bolt	M14 x 1.5 x 45 - 10.9 (x10) use with hub assembly model ... 2601 and ... 2801 (last 4 digits on component).	JAE 00 208 100 14 10	2
	Bolt	M14 x 1.5 x 75 - 10.9 (x10) Use with hub assembly model ... 0501 and ... 0601 (last 4 digits on component).	JAE 00 208 104 14 10	2

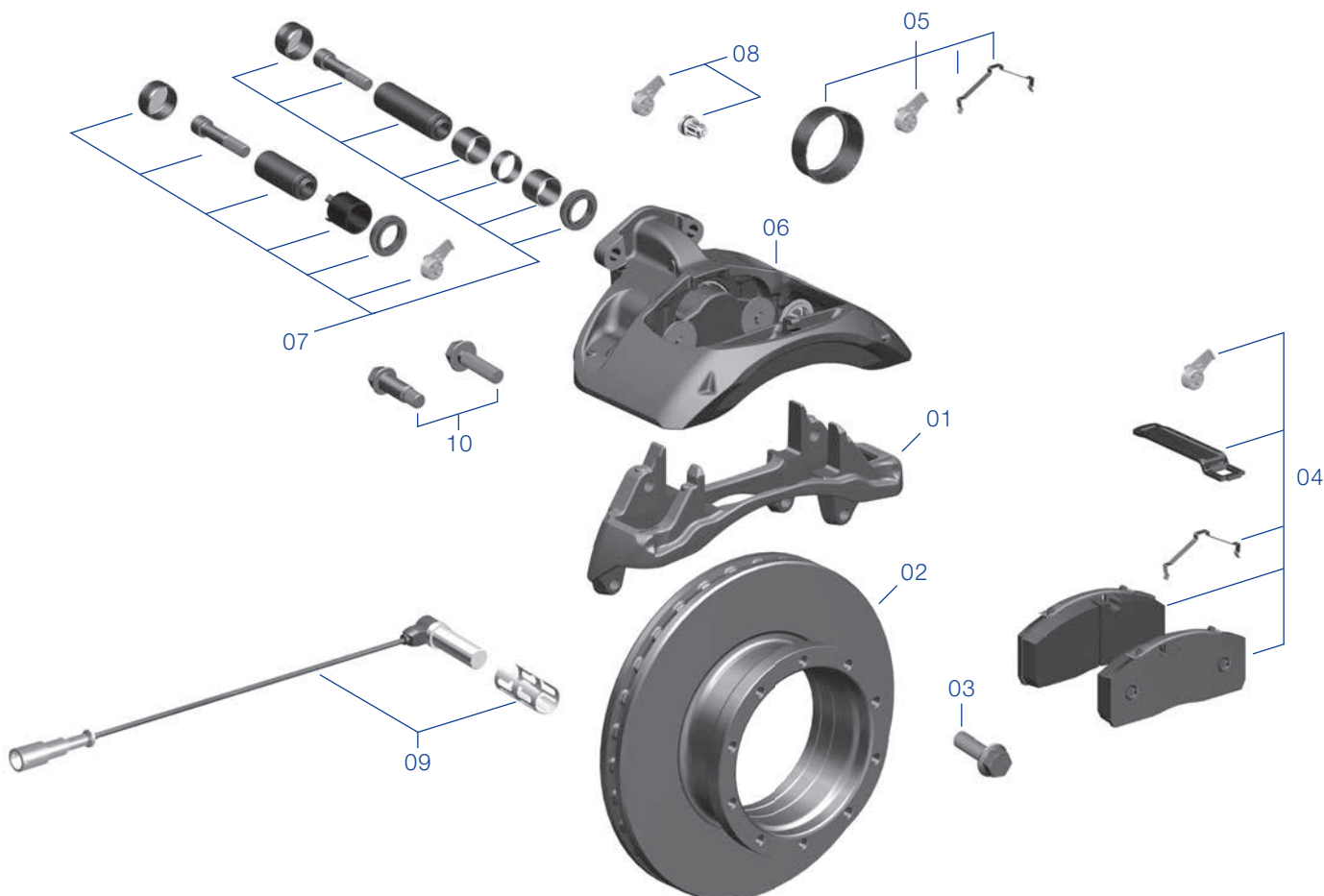
## Repair and retrofit kits

Item	Description	Remark	Order No. brake calliper Typ SK7-22.5"	quantity per axle
04	RK Brake pad	for on axle	JAE 02 504 070 20	1
05	RK Thrust pad	SN6, SN7, SK7	JAE 01 504 049 82	2
06	RK Caliper	left	JAE 02 504 091 83	1
	RK Caliper	right	JAE 02 504 092 83	1
07	RK Seal and guide	with DU slide bearing (SN7, SK7)	JAE 01 504 056 82	2
08	RK ABS sensor		JAE 02 504 100 55	2
09	RK Brake calliper screw connection		JAE 30 504 101 55	2
10	RK Wear sensor	Wired version not shown	JAE 02 104 001 18	1



# Brake JOST DCA-L7-22.5"

## Spare parts for Type DCA-L7-22.5", TDB 0877



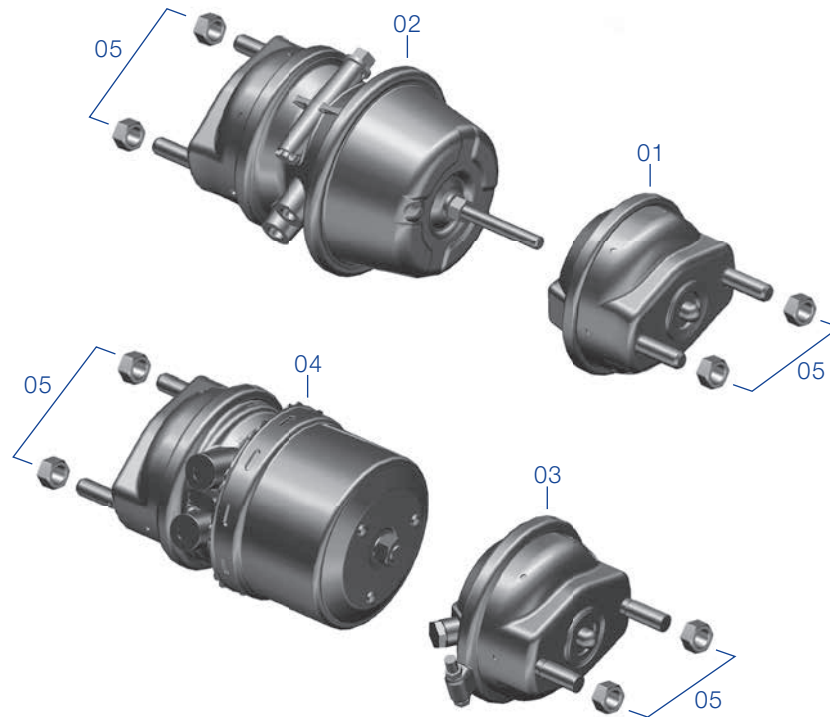
Item	Description	Remark	Order No. brake calliper type DCA-L7-22.5"	quantity per axle
01	Brake carrier		JAE 02 504 100 06	2
02	Brake disc	22.5"	JAE 01 104 001 12	2
03	Bolt	M14 x 1.5 x 45 - 10.9 (x10)	JAE 00 208 100 14 10	2

## Repair and retrofit kits

Item	Description	Remark	Order No. brake calliper Typ DCA-L7-22.5"	quantity per axle
04	RK Brake pad	for on axle	JAE 02 504 100 20	1
05	RK Piston bellows		JAE 02 504 100 86	2
06	RK Caliper	left	JAE 02 504 100 83	1
	RK Caliper	right	JAE 02 504 101 83	1
07	RK Seal and guide		JAE 02 504 100 63	2
08	RK Brake adjuster		JAE 02 504 100 07	2
09	RK ABS sensor		JAE 02 504 100 55	2
10	RK Brake calliper screw connection		JAE 30 504 101 55	2
11	RK Wear sensor	Wired version not shown	JAE 02 504 100 17	1
12	RK Tool set for brake repair	not shown	JAW 02 704 100 00	

# Brake chambers

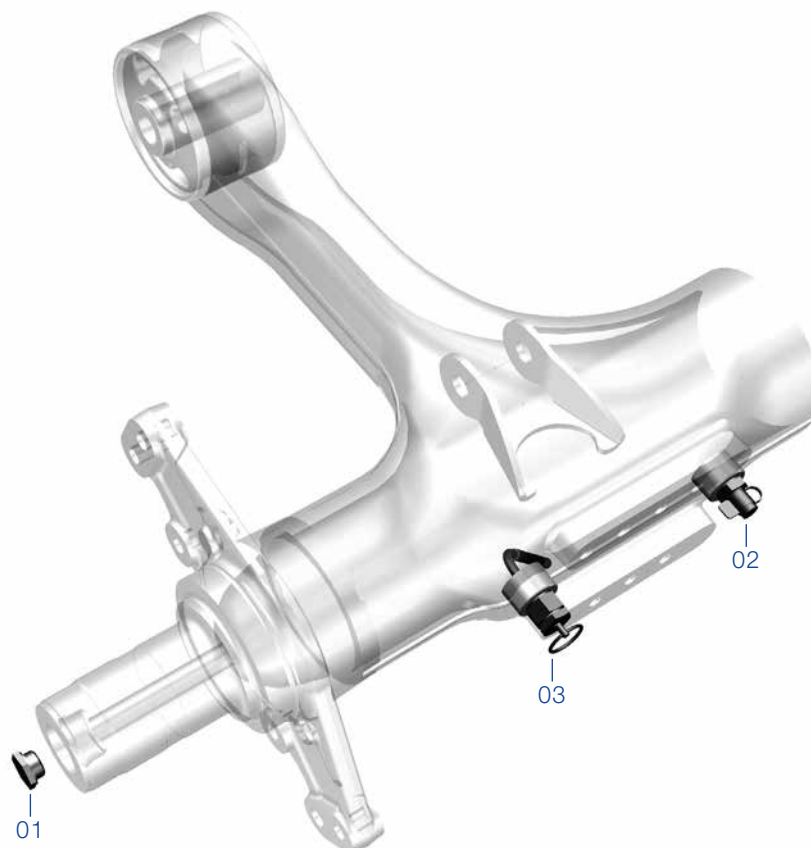
## Spare parts



Item	Description	Remark/ installation in direction of travel	Order No.	quantity per axle
01	Diaphragm brake chamber	16" /left & right /closed clamping ring	JAE 02 104 085 24	2
02	Double diaphragm brake chamber	16/24" /left & right	JAE 02 104 065 18	2
03	Diaphragm brake chamber	16" /left & right /screwed clamping ring	JAE 02 104 052 24	2
	Diaphragm brake chamber	20" /left & right /screwed clamping ring	JAE 02 104 012 24	2
	Diaphragm brake chamber	22" /left & right /screwed clamping ring	JAE 02 104 013 24	2
	Diaphragm brake chamber	24" /left & right /screwed clamping ring	JAE 02 104 014 24	2
04	Piston brake chamber	16/16" /left	JAE 02 104 088 18	1
	Piston brake chamber	16/16" /right	JAE 02 104 089 18	1
	Piston brake chamber	16/24" /left	JAE 02 104 053 18	1
	Piston brake chamber	16/24" /right	JAE 02 104 052 18	1
	Piston brake chamber	20/24" /left	JAE 02 104 055 18	1
	Piston brake chamber	20/24" /right	JAE 02 104 056 18	1
05	Nut	M16 x 1.5 x 10.9 (x2)	JAE 00 209 100 16 02	2

# DCA AIRMASTER (Axle with compressed air reservoir)

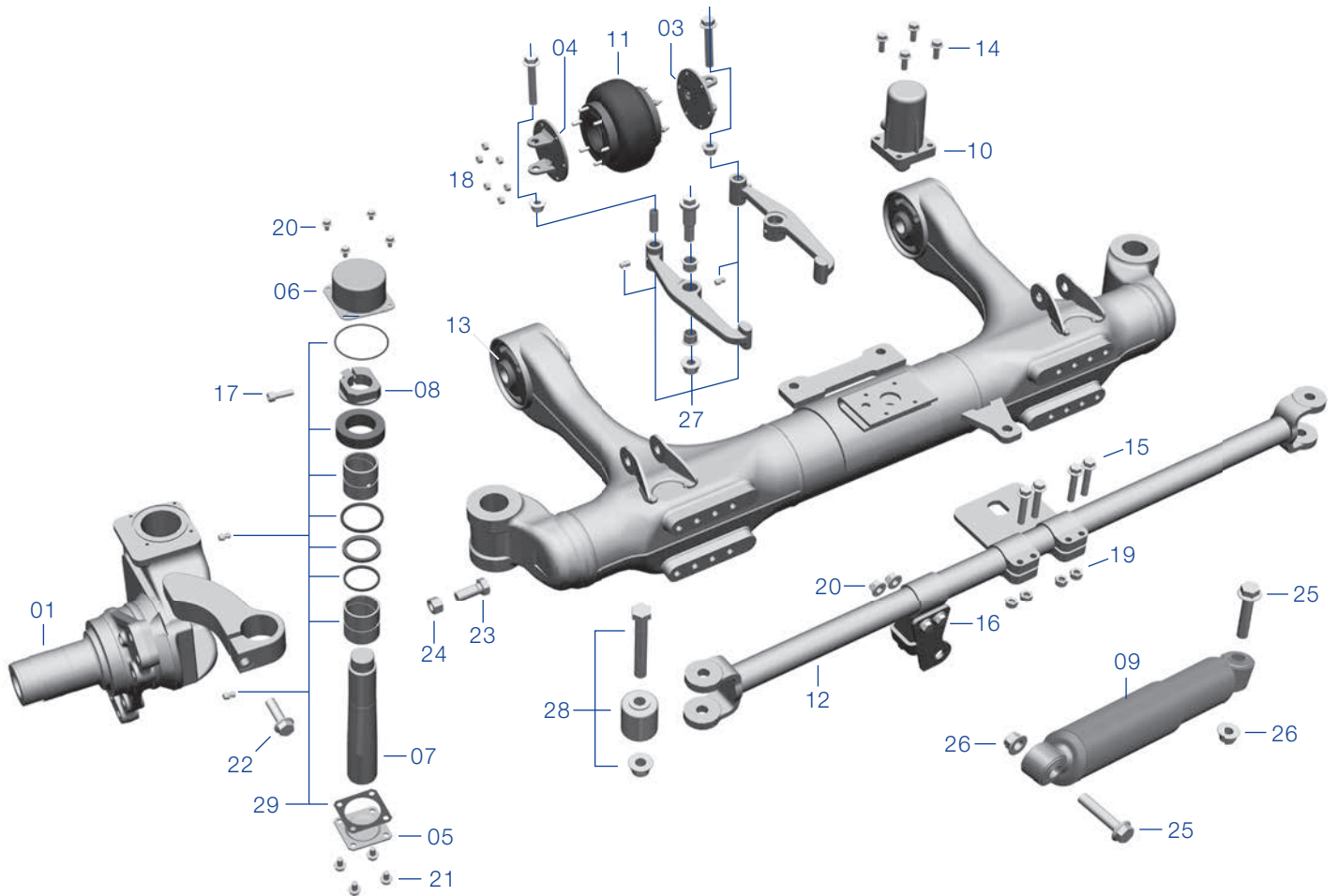
## Spare parts



Item	Description	Remark	Order No.	quantity per axle
01	Threaded plug		JAE 33 202 019 17	2
02	Test connection		JAE 33 102 000 31	1
03	Drain valve		JAE 33 202 000 21	1

# DCA STEERMASTER (steering axle)

## Spare parts



# DCA STEERMASTER (steering axle)

## Spare parts

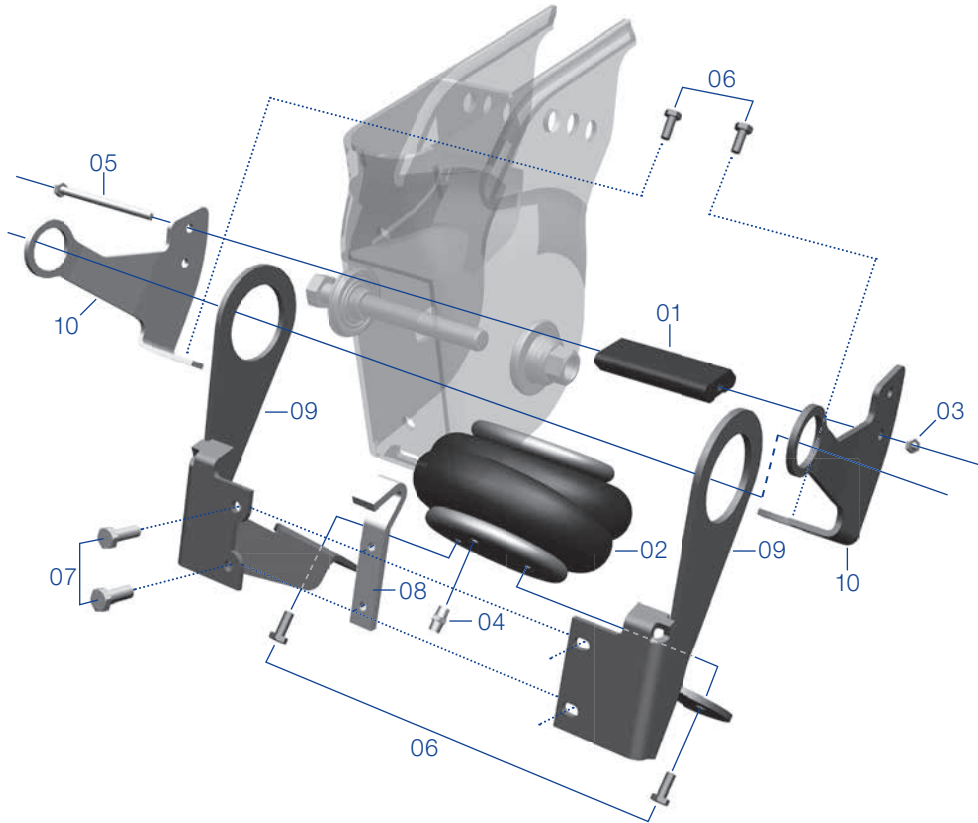
Item	Description	Remark	Order No.	quantity per axle
01	Steering knuckle	left	JAE 02 106 010 44	1
02	Steering knuckle	right (not shown)	JAE 02 106 011 44	1
03	Plate	with air connection, compensating bellows for tracking	JAE 02 106 000 41	1
04	Plate	Compensating bellows for tracking	JAE 02 106 001 41	1
05	Bottom cover kingpin		JAE 02 106 001 20	2
06	Top cover kingpin		JAE 02 106 002 20	2
07	Kingpin		JAE 02 106 000 74	2
08	Clamping nut		JAE 02 106 000 72	2
09	Steering shock absorber		JAE 02 106 000 47	1
10	Locking cylinder		JAE 02 106 000 22	1
11	Compensating bellows for tracking		JAE 02 106 000 77	1
12	Track rod	Wheel track 2040	JAE 32 106 017 07	1
	Track rod	Wheel track 2090	JAE 32 106 018 07	1
	Track rod	Wheel track 2140	JAE 32 106 019 07	1
13	3D pivot bushing	Also included in RK see item 30	JAE 30 205 002 50	2
14	Bolt	M10 x 25 - 10.9	JAE 00 208 109 10	4
15	Bolt	M12 x 1.5 x 65 - 10.9	JAE 00 208 106 12	4
16	Bolt	M12 x 1.5 x 85 - 10.9	JAE 00 208 101 12	2
17	Bolt	M10 x 35 - 10.9	JAE 00 208 102 10	2
18	Nut	M8	JAE 00 209 100 08	12
19	Nut	M12 x 1.5	JAE 00 209 100 12	6
20	Bolt	M8 x 16 - 10.9	JAE 00 208 100 08	8
21	Bolt	M10 x 16 - 10.9	JAE 00 208 110 10	8
22	Bolt	M16 x 1.5 x 60 - 10.9	JAE 00 208 102 16	2
23	Bolt	M20 x 70 - 10.9	JAE 00 208 108 20	2
24	Nut	M20	JAE 00 209 101 20	2
25	Bolt	M20 x 1.5 x 100 - 10.9	JAE 00 208 101 20	2
26	Nut	M20 x 1.5	JAE 00 209 100 20	2

## Repair and retrofit kits

Item	Description	Remark	Order No.	quantity per axle
27	RK Centering Levers		JAE 22 506 000 27	1
28	RK Track rod adjustment		JAE 02 506 018 03	1
29	RK Steering knuckle bearing		JAE 02 506 006 20	1
30	RK 3D pivot bushing with RK pivot bolt set	not shown, see p. 11 "Suspension connection, front" item 07	JAE 30 505 100 50	1
31	RK Grease nipples with protective caps	not shown	JAE 02 511 100 88	1

# Twin lift

Spare parts for series: ... 2370 <sup>1)</sup>, version up to 12/2007



Item	Description	Remark	Order No.	quantity per axle
01	Rubber stop		JAE 30 207 000 44	2
02	Air bellow		JAE 20 107 016 01	2
03	Nut	M10 (x2)	JAE 00 209 100 10 02	1
04	Air connection		JAE 30 107 002 64	2
05	Bolt	M10 x 160 - 8.8	JAE 00 208 002 01	2
06	Bolt	M10 x 20 - 8.8 (x4)	JAE 30 208 008 01 04	1
07	Bolt	M10 x 25 - 8.8 (x2)	JAE 00 208 004 01 02	1
08	Retaining hook		JAE 30 107 032 40	2

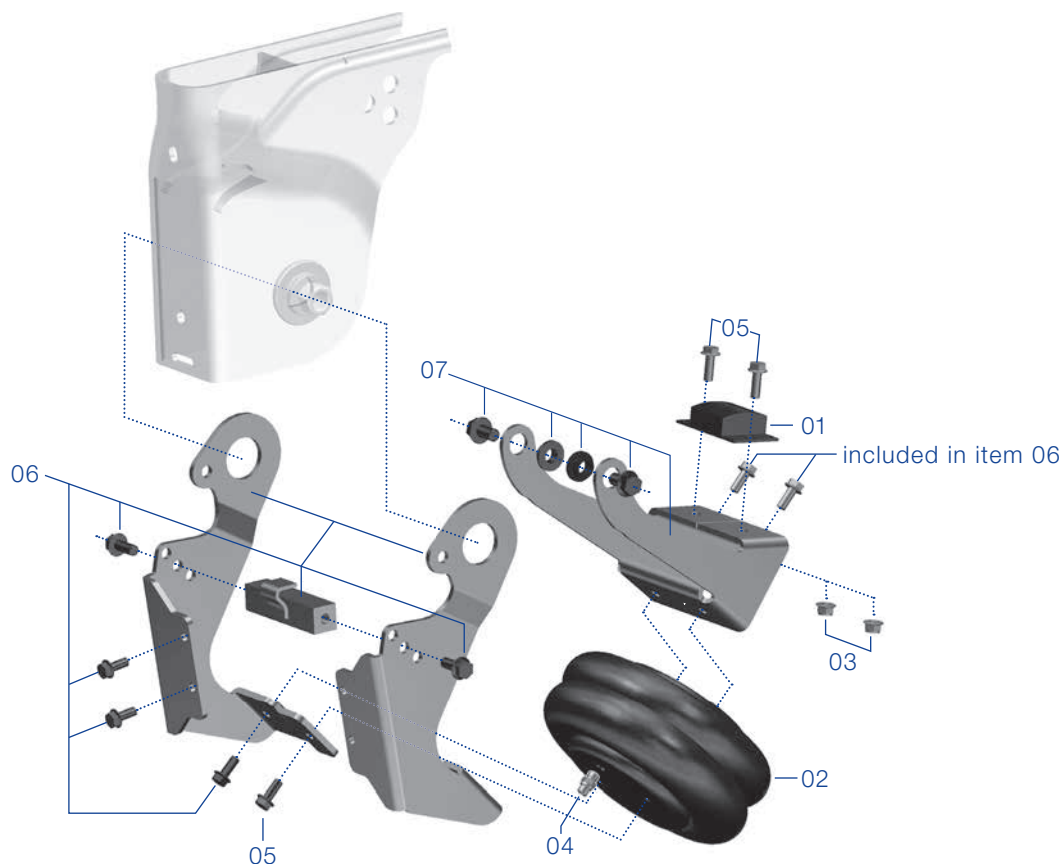
## Repair and retrofit kits

Item	Description	Remark	Order No.	quantity per axle
09	RK Lift bellows support bracket pair		JAE 30 507 002 40	2
10	RK Lift bellows guide bracket pair		JAE 30 507 003 40	2

1) This lift assembly can be completely replaced by 2x JAE 30 507 100 70.

# Twin lift

Spare parts for series: ... 3070, version as of 01/2008



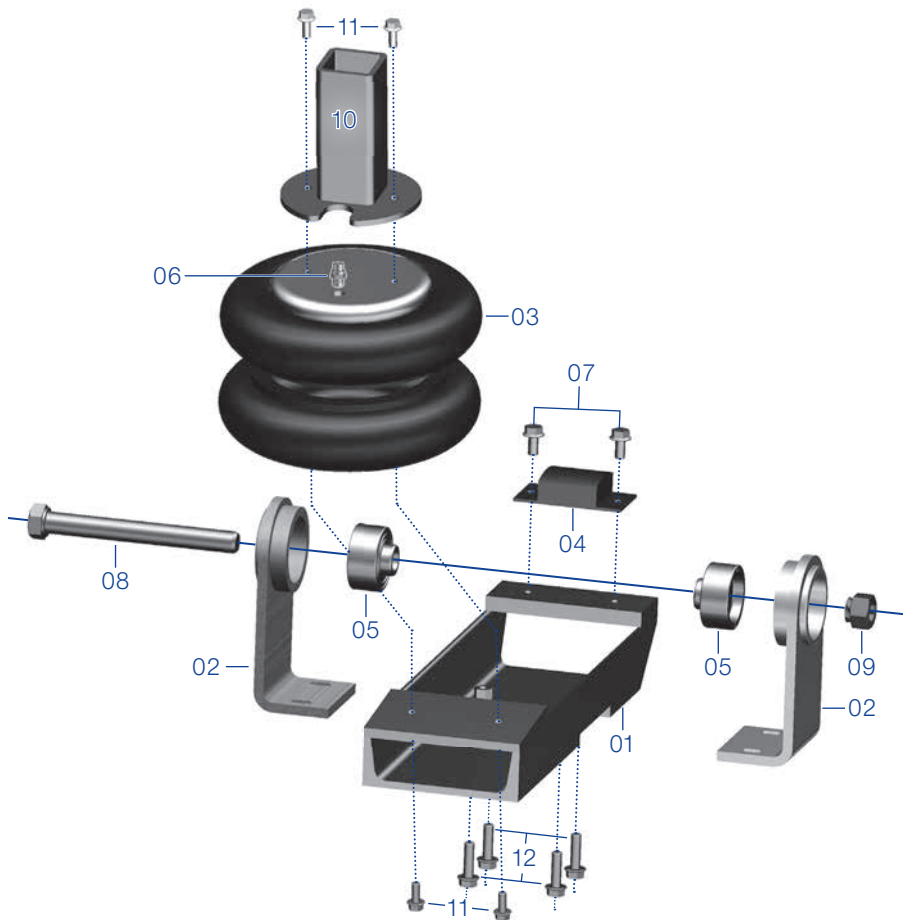
Item	Description	Remark	Order No.	quantity per axle
01	Rubber stop		JAE 30 207 001 44	2
02	Air bellow		JAE 20 107 016 01	2
03	Nut	M10 (x2)	JAE 00 209 102 10 02	2
04	Air connection		JAE 30 107 002 64	2
05	Bolt	M10 x 30 - 10.9	JAE 00 208 106 10	6

## Repair and retrofit kits

Item	Description	Remark	Order No.	quantity per axle
06	RK Lift bellows support bracket pair		JAE 30 507 004 40	2
07	RK Lift bellows guide bracket pair		JAE 30 507 005 40	2
08	RK Complete lift	one side only	JAE 30 507 100 70	2

# Twin lift “rocker”

Spare parts for series: ... 2870



Item	Description	Remark	Order No.	quantity per axle
01	Axle lift arm		JAE 30 207 018 06	2
02	Bracket		JAE 30 207 001 38	4
03	Air bellows	Rocker lift	JAE 30 107 024 01	2
04	Rubber stop		JAE 30 207 001 44	2
05	Lift pivot bushing		JAE 00 108 001 86	4
06	Air connection		JAE 30 107 000 62	2
07	Bolt	M10 x 20 - 10.9 (2 Stück)	JAE 00 208 107 10 02	2
08	Bolt	M22 x 1.5 x 195 - 10.9	JAE 30 208 000 00	2
09	Wheel nut	M22 x 1.5	JAE 00 209 006 72	2
10	Air bellows pedestal	H = 295 (Shorten if required)	JAE 30 107 080 35	2
11	Bolt	M8 x 20 - 8.8 (x4)	JAE 00 208 104 08 04	2
12	Bolt	M10 x 35 - 10.9 (x4)	JAE 00 208 111 10 04	2

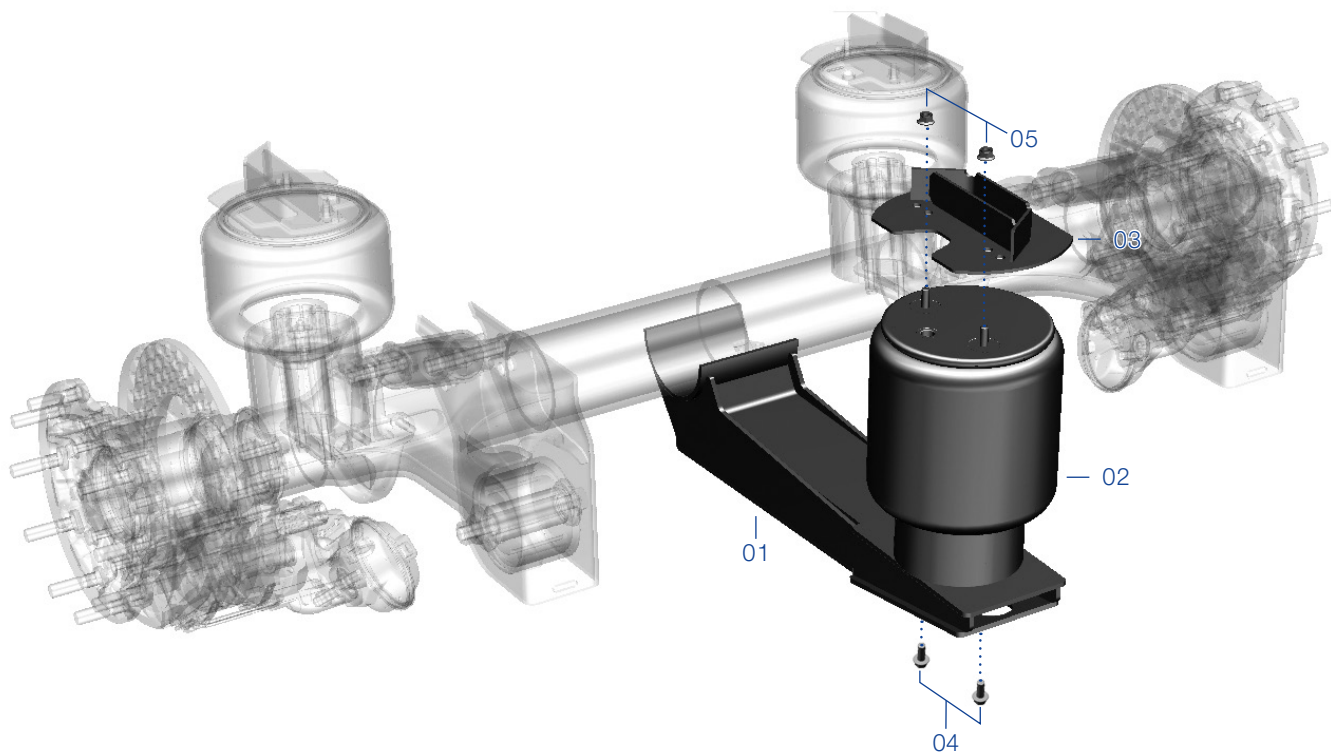
## Repair and retrofit kits

Item	Description	Remark	Order No.	quantity per axle
13	RK Twin lift “rocker”	not shown 2 x item 02, 2 x item 05, 1 x item 12	JAE 30 507 100 55	2



# Center lift

Spare parts for series: ... 1870



Item	Description	Remark	Order No.	quantity per axle
01	Arm	Center lift DCA	JAE 30 107 009 06	1
02	Air bellows	300 S	JAE 30 105 014 01	1
03	Air bellows pedestal	H = 200	JAE 02 205 018 35	2
04	Bolt	M12 x 30 - 10.9	JAE 00 208 100 12	2
05	Nut	M12	JAE 00 209 002 50	2

# Spare parts reference list Mercedes-Benz to JOST

Valid for all DCA axles produced after August 2003.

Daimler spare part numbers	JOST spare part numbers	JOST spare part designation	Additional information
<b>A 000 330 ...</b>			
A 000 330 06 20	<b>JAE 02 506 006 20</b>	RK Steering knuckle bearing	
A 000 330 18 03	<b>JAE 02 106 018 03</b>	RK Track rod adjustment	
<b>A 000 350 ...</b>			
A 000 350 05 35	<b>JAE 02 503 028 01</b>	RK 120 mm offset hub assembly (with compact bearing)	
	<b>JAE 00 208 100 14 10</b>	Bolt M14 x 1.5 x 45 - 10.9	10-pack, additional order required
A 000 350 09 35	<b>JAE 02 503 009 35</b>	RK 0 mm offset hub assembly (with compact bearing)	
A 000 350 23 35	<b>JAE 02 503 028 01</b>	RK 120 mm offset hub assembly (with compact bearing)	
	<b>JAE 00 208 100 14 10</b>	Bolt M14 x 1.5 x 45 - 10.9	10-pack, additional order required
<b>A 000 390 ...</b>			
A 000 390 00 27	<b>JAE 22 506 000 27</b>	RK Centering levers	
A 000 390 00 70	<b>JAE 30 507 100 70</b>	RK Complete lift, one side only DCA	2x required per axle
A 000 390 02 08	<b>JAE 30 502 102 08*</b>	Axle housing ET120 RS2010 FS1200	
A 000 390 03 08	<b>JAE 30 502 103 08*</b>	Axle housing ET120 RS2040 FS1150	
A 000 390 04 08	<b>JAE 30 502 104 08*</b>	Axle housing ET120 RS2040 FS1200	
A 000 390 05 08	<b>JAE 30 502 105 08*</b>	Axle housing ET120 RS2040 FS1250	
A 000 390 06 08	<b>JAE 30 502 106 08*</b>	Axle housing ET120 RS2040 FS1300	
A 000 390 07 08	<b>JAE 30 502 107 08*</b>	Axle housing ET120 RS2090 FS1200	
A 000 390 08 08	<b>JAE 30 502 108 08*</b>	Axle housing ET120 RS2090 FS1250	
A 000 390 09 08	<b>JAE 30 502 109 08*</b>	Axle housing ET120 RS2090 FS1300	
A 000 390 10 08	<b>JAE 30 502 110 08*</b>	Axle housing ET120 RS2090 FS1350	
A 000 390 11 08	<b>JAE 30 502 111 08*</b>	Axle housing ET120 RS2140 FS1250	
A 000 390 12 08	<b>JAE 30 502 112 08*</b>	Axle housing ET120 RS2140 FS1300	
A 000 390 13 08	<b>JAE 30 502 113 08*</b>	Axle housing ET120 RS2140 FS1350	
A 000 390 14 08	<b>JAE 30 502 114 08*</b>	Axle housing ET120 RS2140 FS1400	
A 000 390 15 08	<b>JAE 30 502 115 08*</b>	Axle housing ET120 RS1990 FS1300	
A 000 390 16 08	<b>JAE 30 502 116 08*</b>	Axle housing ETO RS2040 FS1150	RK Screw connections is additionally required, please take note!*
A 000 390 17 08	<b>JAE 30 502 117 08*</b>	Axle housing ETO RS2040 FS1200	
A 000 390 18 08	<b>JAE 30 502 118 08*</b>	Axle housing ETO RS2090 FS1200	
A 000 390 19 08	<b>JAE 30 502 119 08*</b>	Axle housing ETO RS2090 FS1250	
A 000 390 20 08	<b>JAE 30 502 120 08*</b>	Axle housing ETO RS2140 FS1250	
A 000 390 21 08	<b>JAE 30 502 121 08*</b>	Axle housing ETO RS2140 FS1300	
A 000 390 22 08	<b>JAE 30 502 122 08*</b>	Axle housing ET120 RS1940 FS1200	
A 000 390 23 08	<b>JAE 30 502 123 08*</b>	Axle housing ET120 RS1990 FS1200	
A 000 390 24 08	<b>JAE 30 502 124 08*</b>	Axle housing ET120 RS1990 FS1250	
A 000 390 25 08	<b>JAE 33 502 125 08*</b>	Axle housing ET120-AIR RS2040 FS1300	
A 000 390 26 08	<b>JAE 33 502 126 08*</b>	Axle housing ET120-AIR RS2090 FS1300	
A 000 390 27 08	<b>JAE 33 502 127 08*</b>	Axle housing ET120-AIR RS2140 FS1300	
A 000 390 28 08	<b>JAE 33 502 128 08*</b>	Axle housing ET120-AIR RS2140 FS1350	
A 000 390 29 08	<b>JAE 33 502 129 08*</b>	Axle housing ET120-AIR RS2140 FS1400	
A 000 390 31 08	<b>JAE 34 502 131 08*</b>	Axle housing ET120-RFS RS2090 FS1200	
* = additionally for all axle housing	<b>JAE 00 508 100 14 or**</b> <b>JAE 00 508 101 14</b> <b>JAE 30 505 101 55</b>	RK Screw connections, air bellows support type A B C E or** RK Screw connections, air bellows support type D RK Pivot bolt set	** = depends on air bellows support fitted, see p.13
<b>A 000 401 ...</b>			
A 000 401 06 72	<b>JAE 00 209 006 72</b>	Wheel nut M22 x 1.5	
A 000 401 06 72	<b>JAE 00 209 006 72 10</b>	Wheel nut M22 x 1.5	10-pack
A 000 401 06 72	<b>JAE 30 505 101 55</b>	RK Pivot bolt set	Part of RK Pivot bolt set
A 000 401 24 71	<b>JAE 01 208 024 71</b>	Wheel bolt M22 x 1.5 x 80	
A 000 401 24 71	<b>JAE 01 208 024 71 10</b>	Wheel bolt M22 x 1.5 x 80	10-pack

# Spare parts reference list Mercedes-Benz to JOST

Valid for all DCA axles produced after August 2003.

Daimler spare part numbers	JOST spare part numbers	JOST spare part designation	Additional information
<b>A 000 420 ...</b>			
A 000 420 23 82	<b>JAE 01 504 023 82</b>	RK Thrust pad SB6/SB7	
A 000 420 24 82			Contained in each RK Brake pad
A 000 420 25 82			Contained in each RK Brake pad
A 000 420 49 82	<b>JAE 01 504 049 82</b>	RK Thrust pad SN6/SN7/SK7	
A 000 420 56 82	<b>JAE 01 504 056 82</b>	RK Seal and guide - SN7/SK7	
<b>A 000 421 ...</b>			
A 000 421 20 06	<b>JAE 01 104 020 06</b>	Brake carrier - SB/SN 6	
A 000 421 25 06	<b>JAE 02 104 025 06</b>	Brake carrier - SN7	
A 000 421 39 06	<b>JAE 02 104 039 06</b>	Brake carrier - SK7	
A 000 421 61 74	<b>JAE 01 504 061 74</b>	RK Seal and guide - SB6/SN6/SB7	
<b>A 000 992 ...</b>			
A 000 992 21 29	<b>JAE 02 504 100 55</b>	RK ABS sensor	Part of RK ABS sensor
<b>A 001 990 ...</b>			
A 001 990 19 17	<b>JAE 33 202 019 17</b>	Threaded plug DCA AIRMASTER	
<b>A 002 420 ...</b>			
A 002 420 26 01	<b>JAE 02 504 026 01</b>	Caliper SN6 - left	
A 002 420 27 01	<b>JAE 02 504 027 01</b>	Caliper SN6 - right	
A 002 420 78 20	<b>JAE 02 504 078 20</b>	RK Brake pad SN6	
<b>A 002 542 ...</b>			
A 002 542 31 18	<b>JAE 02 504 100 55</b>	RK ABS sensor	Part of RK ABS sensor
<b>A 003 420 ...</b>			
A 003 420 91 83	<b>JAE 02 504 091 83</b>	RK Caliper SK7 - left	
A 003 420 92 83	<b>JAE 02 504 092 83</b>	RK Caliper SK7 - right	
<b>A 004 420 ...</b>			
A 004 420 70 20	<b>JAE 02 504 070 20</b>	RK Brake pad SK7	
A 004 420 83 83	<b>JAE 02 504 083 83</b>	RK Caliper SN7 - left	
A 004 420 84 83	<b>JAE 02 504 084 83</b>	RK Caliper SN7 - right	
<b>A 006 420 ...</b>			
A 006 420 10 20	<b>JAE 02 504 010 20</b>	RK Brake pad SN7	
A 006 420 52 24	<b>JAE 02 104 052 24</b>	Brake chamber 16" /left & right/ screwed clamping ring	
<b>A 007 420 ...</b>			
A 007 420 12 24	<b>JAE 02 104 012 24</b>	Diaphragm brake chamber 20" /left & right/ screwed clamping ring	
A 007 420 13 24	<b>JAE 02 104 013 24</b>	Diaphragm brake chamber 22" /left & right/ screwed clamping ring	
A 007 420 14 24	<b>JAE 02 104 014 24</b>	Diaphragm brake chamber 24" /left & right/ screwed clamping ring	
<b>A 008 420 ...</b>			
A 008 420 85 24	<b>JAE 02 104 085 24</b>	Diaphragm brake chamber 16" /left & right/ closed clamping ring	
<b>A 017 420 ...</b>			
A 017 420 88 18	<b>JAE 02 104 088 18</b>	Piston brake chamber 16/16" /left	
A 017 420 89 18	<b>JAE 02 104 089 18</b>	Piston brake chamber 16/16" /right	
<b>A 018 420 ...</b>			
A 018 420 52 18	<b>JAE 02 104 052 18</b>	Piston brake chamber 16/24" /right	
A 018 420 53 18	<b>JAE 02 104 053 18</b>	Piston brake chamber 16/24" /left	
A 018 420 55 18	<b>JAE 02 104 055 18</b>	Piston brake chamber 20/24" /left	
A 018 420 56 18	<b>JAE 02 104 056 18</b>	Piston brake chamber 20/24" /right	
<b>A 023 420 ...</b>			
A 023 420 65 18	<b>JAE 02 104 065 18</b>	Double diaphragm brake chamber 16" /left & right	
A 027 997 88 48	<b>JAE 02 103 088 48</b>	O-ring D = 142	
A 027 997 88 48	<b>JAE 02 503 004 20</b>	RK Hub cap	Part of RK Hub cap
A 029 997 97 48	<b>JAE 02 103 097 48</b>	O-ring D = 80	

# Spare parts reference list Mercedes-Benz to JOST

Valid for all DCA axles produced after August 2003.

Daimler spare part numbers	JOST spare part numbers	JOST spare part designation	Additional information
A 675 421 01 12	<b>JAE 01 104 000 12</b>	Brake disc 19,5" - 10 hole	
A 942 423 01 12	<b>JAE 01 104 001 12</b>	Brake disc 22,5"	
A 942 990 01 14	<b>JAE 01 208 001 14</b>	Fitting screw M16x1.5x60	
A 942 990 01 14	<b>JAE 30 504 101 55</b>	RK Brake calliper screw connection	Part of RK Brake calliper screw connection
<b>A 946 320 ...</b>			
A 946 320 00 34	<b>JAE 30 505 100 34</b>	RK Air bellows support type A, M14	2x required per axle
A 946 320 02 34	<b>JAE 30 505 102 34</b>	RK Air bellows support type C, M14	2x required per axle
A 946 320 03 34	<b>JAE 30 505 103 34</b>	RK Air bellows support type B, M14	2x required per axle
A 946 320 03 35	<b>JAE 02 205 003 35</b>	Air bellows pedestal H = 50	
A 946 320 04 34	<b>JAE 30 505 104 34</b>	RK Air bellows support type A, M16	2x required per axle
A 946 320 04 35	<b>JAE 02 205 004 35</b>	Air bellows pedestal H = 70	
A 946 320 05 34	<b>JAE 30 505 105 34</b>	RK Air bellows support type B, M16	2x required per axle
A 946 320 06 35	<b>JAE 02 205 006 35</b>	Air bellows pedestal H = 100	
A 946 320 07 34	<b>JAE 30 505 107 34</b>	RK air bellows support type D, M14	2x required per axle
A 946 320 08 34	<b>JAE 30 505 108 34</b>	RK Air bellows support type C, M16	2x required per axle
A 946 320 08 35	<b>JAE 02 205 008 35</b>	Air bellows pedestal H = 155	
A 946 320 09 34	<b>JAE 30 505 109 34</b>	RK air bellows support type E, M14	2x required per axle
A 946 320 10 35	<b>JAE 02 205 010 35</b>	Air bellows pedestal H = 125	
A 946 320 18 35	<b>JAE 02 205 018 35</b>	Air bellows pedestal H = 200	
A 946 320 24 35	<b>JAE 30 505 024 35</b>	RK Offset plate for tippers	
A 946 320 65 78	<b>JAE 30 105 065 78</b>	Hanger bracket H = 250	
A 946 320 66 78	<b>JAE 30 105 066 78</b>	Hanger bracket H = 325	
A 946 320 67 78	<b>JAE 30 105 067 78</b>	Hanger bracket H = 400	
<b>A 946 325 ...</b>			
A 946 325 00 44	<b>JAE 30 207 000 44</b>	Rubber stop	
A 946 325 01 44	<b>JAE 30 207 001 44</b>	Rubber stop	
<b>A 946 326 ...</b>			
A 946 326 05 00	<b>JAE 30 105 005 00</b>	Shock absorber short	279 mm closed
A 946 326 07 00	<b>JAE 30 105 007 00</b>	Shock absorber long	294 mm closed
<b>A 946 328 ...</b>			
A 946 328 00 11	<b>JAE 30 205 000 11</b>	Centring cone	
A 946 328 00 62	<b>JAE 30 107 000 62</b>	Air connection	2x required per axle
A 946 328 00 76	<b>JAE 30 505 101 55</b>	RK Pivot bolt set	Part of RK Pivot bolt set
A 946 328 02 64	<b>JAE 30 107 002 64</b>	Air connection	
A 946 328 04 76	<b>JAE 30 205 004 76</b>	Pressure plate	
A 946 328 14 01	<b>JAE 30 105 014 01</b>	Air bellows - 300 S	
A 946 328 15 01	<b>JAE 20 105 015 01</b>	Air bellows - 360 L	
A 946 328 16 01	<b>JAE 20 107 016 01</b>	Air bellows - twin lift	
A 946 328 19 01	<b>JAE 20 105 019 01</b>	Air bellows - 360 K	
A 946 328 22 01	<b>JAE 30 105 022 01</b>	Air bellows - 360 M	
A 946 328 24 01	<b>JAE 30 107 024 01</b>	Air bellows - Rocker lift	
A 946 328 25 01	<b>JAE 30 105 025 01</b>	Air bellows - 300 I	
A 946 328 26 01	<b>JAE 30 105 026 01</b>	Air bellows - 300 R	
A 946 328 32 40	<b>JAE 30 107 032 40</b>	Retaining hook	
A 946 328 70 35	<b>JAE 02 105 070 35</b>	Air bellows pedestal H = 5	
A 946 328 80 35	<b>JAE 30 107 080 35</b>	Air bellows pedestal H = 295	
<b>A 946 332 ...</b>			
A 946 332 00 72	<b>JAE 02 106 000 72</b>	Clamping nut	
A 946 334 05 15	<b>JAE 02 203 005 15</b>	ABS ring - 90 tooth	
A 946 350 01 38	<b>JAE 30 207 001 38</b>	Bracket	
A 946 350 09 06	<b>JAE 30 107 009 06</b>	Arm - center lift DCA	
A 946 350 18 06	<b>JAE 30 207 018 06</b>	Axle lift arm	
A 946 356 04 20	<b>JAE 02 503 004 20</b>	RK Hub cap	Part of RK Hub cap

# Spare parts reference list Mercedes-Benz to JOST

Valid for all DCA axles produced after August 2003.

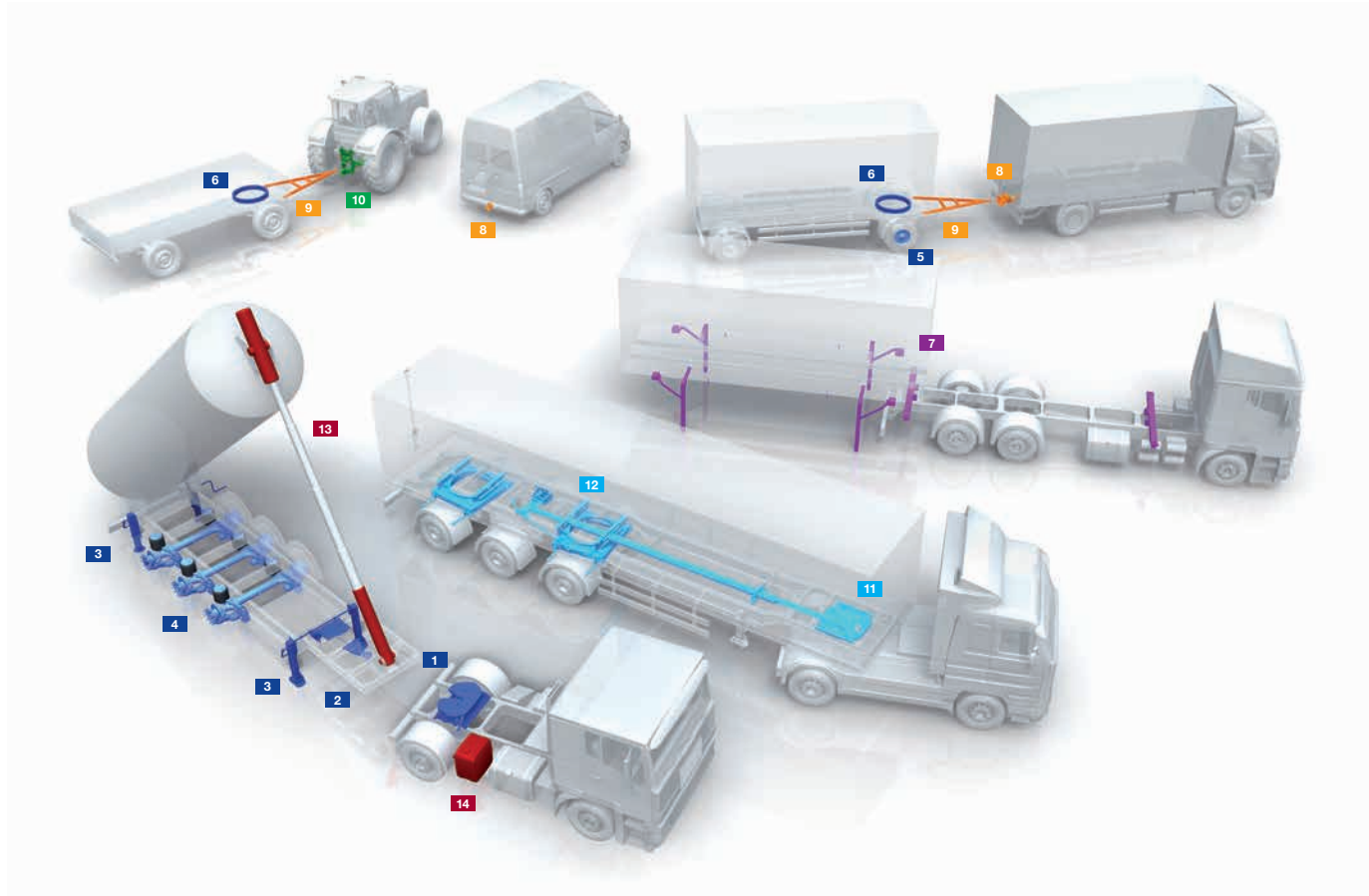
Daimler spare part numbers	JOST spare part numbers	JOST spare part designation	Additional information
<b>A 946 390 ...</b>			
A 946 390 02 40	<b>JAE 30 507 002 40</b>	RK Lift bellows support bracket pair	
A 946 390 02 50	<b>JAE 30 205 002 50</b>	3D pivot bushing	
A 946 390 02 50	<b>JAE 30 505 100 50</b>	RK 3D pivot bushing	Part of RK 3D pivot bushing
A 946 390 03 40	<b>JAE 30 507 003 40</b>	RK Lift bellows guide bracket pair	
A 946 390 04 40	<b>JAE 30 507 004 40</b>	RK Lift bellows support bracket pair	
A 946 390 05 40	<b>JAE 30 507 005 40</b>	RK Holderer lift bellows guide	
A 946 390 10 44	<b>JAE 02 106 010 44</b>	Steering knuckle left	
A 946 390 11 44	<b>JAE 02 106 011 44</b>	Steering knuckle right	
A 946 390 17 07	<b>JAE 32 106 017 07</b>	Track rod 2040	
A 946 390 18 07	<b>JAE 32 106 018 07</b>	Track rod 2090	
A 946 390 19 07	<b>JAE 32 106 019 07</b>	Track rod 2140	
A 946 391 00 22	<b>JAE 02 106 000 22</b>	Locking cylinder - steering axle	
A 946 391 00 41	<b>JAE 02 106 000 41</b>	Plate with air connection, compensating bellows for tracking	
A 946 391 01 20	<b>JAE 02 106 001 20</b>	Kingpin bottom cover	
A 946 391 01 41	<b>JAE 02 106 001 41</b>	Plate for compensating bellows for tracking	
A 946 391 02 20	<b>JAE 02 106 002 20</b>	Kingpin top cover	
A 946 393 00 47	<b>JAE 02 106 000 47</b>	Steering shock absorber	
A 946 393 00 74	<b>JAE 02 106 000 74</b>	Kingpin	
A 946 393 00 77	<b>JAE 02 106 000 77</b>	Compensating bellows	
A 946 431 00 31	<b>JAE 33 102 000 31</b>	Test connection - DCA AIRMASTER	
A 946 542 01 18	<b>JAE 02 104 001 18</b>	RK Wear sensor	
<b>A 946 990 ...</b>			
A 946 990 00 00	<b>JAE 30 505 101 55</b>	RK Pivot bolt set	Part of RK Pivot bolt set
A 946 990 00 00	<b>JAE 30 208 000 00</b>	Bolt M22x1.5x195 - 10.9	
A 946 990 01 86	<b>JAE 00 108 001 86</b>	Lift pivot bushing	
A 946 990 02 01	<b>JAE 00 208 002 01</b>	Bolt M10x160 - 8.8	
A 946 990 02 50	<b>JAE 00 209 002 50</b>	Nut M12	
A 946 990 04 01	<b>JAE 00 208 004 01 02</b>	Bolt M10x25 - 8.8	2-pack
A 946 990 08 01	<b>JAE 30 208 008 01 04</b>	Bolt M10x20 - 8.8	4-pack
A 946 990 09 50	<b>JAE 00 209 100 10 02</b>	Nut M10	2-pack
<b>A 946 997 ...</b>			
A 946 997 00 88	<b>JAE 02 511 100 88</b>	RK Lubricating nipple	Part of RK Lubricating nipple
<b>A 947 391 ...</b>			
A 947 391 00 21	<b>JAE 33 202 000 21</b>	Drain valve - DCA AIRMASTER	
<b>A 970 990 ...</b>			
A 970 990 00 50	<b>JAE 01 209 000 50</b>	Axle end nut M80x1.5 RH	
A 970 990 01 50	<b>JAE 01 209 001 50</b>	Axle end nut M80x1.5 LH	
<b>N 000 000 ...</b>			
N 000 000 003 278	<b>JAE 00 209 100 08</b>	Nut M8	
N 000 000 003 493	<b>JAE 00 008 108 12</b>	Bolt M12x150 - 10.9	
N 000 000 003 493	<b>JAE 00 508 102 12</b>	RK Screw connection for air bellows LBT type C	Part of RK Screw connection for air bellows LBT type C
N 000 000 003 840	<b>JAE 00 208 101 12</b>	Bolt M12x1.5x85 - 10.9	
N 000 000 005 536	<b>JAE 00 208 100 16</b>	Bolt M16x1.5x60 - 10.9	
N 000 000 005 536	<b>JAE 00 508 100 16</b>	RK Screw connections, air bellows support type A B C, M16	5-pack
N 000 000 005 536	<b>JAE 30 504 101 55</b>	RK Brake calliper screw connection	Part of RK Brake calliper screw connection
N 000 000 005 571	<b>JAE 30 505 100 55</b>	RK Shock absorber mounting DCA	Part of RK Shock absorber mounting DCA
N 000 000 005 717	<b>JAE 00 008 106 14</b>	Bolt M14x1.5x70 - 10.9	
N 000 000 005 717	<b>JAE 00 008 106 14 10</b>	Bolt M14x1.5x70 - 10.9	10-pack
N 000 000 005 721	<b>JAE 00 208 101 14</b>	Bolt M14x1.5x60 - 10.9	
N 000 000 005 721	<b>JAE 00 508 101 14</b>	RK Screw connections, air bellows support type D	5-pack

# Spare parts reference list Mercedes-Benz to JOST

Valid for all DCA axles produced after August 2003.

Daimler spare part numbers	JOST spare part numbers	JOST spare part designation	Additional information
N 000 000 005 729	<b>JAE 30 505 100 55</b>	RK Shock absorber mounting DCA	Part of RK Shock absorber mounting DCA
N 000 000 005 729	<b>JAE 00 208 101 20</b>	Bolt M20x1.5x100 - 10.9	
N 000 000 005 735	<b>JAE 00 209 100 16 02</b>	Nut M16	2-pack
N 000 000 005 766	<b>JAE 00 208 102 16</b>	Bolt M16x1.5x60 - 10.9	
N 000 000 005 901	<b>JAE 30 505 100 55</b>	RK Shock absorber mounting DCA	Part of RK Shock absorber mounting DCA
N 000 000 005 901	<b>JAE 00 209 100 20</b>	Nut M20x1.5	
N 000 000 006 004	<b>JAE 00 208 104 14</b>	Bolt M14x1.5x75 - 10.9	
N 000 000 006 004	<b>JAE 00 208 104 14 10</b>	Bolt M14x1.5x75 - 10.9	10-pack
N 000 000 007 645	<b>JAE 00 208 108 20</b>	Bolt M20x70 - 10.9	
N 000 000 007 646	<b>JAE 00 209 101 20</b>	Nut M20	
<b>N 000 912 ...</b>			
N 000 912 010 219	<b>JAE 00 208 102 10</b>	Cylinder bolt M10x35 - 10.9	
<b>N 910 105 ...</b>			
N 910 105 008 008	<b>JAE 00 208 100 08</b>	Bolt M8x16 - 10.9	
N 910 105 008 026	<b>JAE 00 208 104 08 04</b>	Bolt M8x20 - 8.8	4-pack
N 910 105 010 001	<b>JAE 00 208 106 10</b>	Bolt M10x30 - 10.9	
N 910 105 010 006	<b>JAE 00 208 107 10 02</b>	Bolt M10x20 - 10.9	2-pack
N 910 105 010 007	<b>JAE 00 208 111 10 04</b>	Bolt M10x35 - 10.9	4-pack
N 910 105 010 009	<b>JAE 00 208 109 10</b>	Bolt M10x25 - 10.9	
N 910 105 010 040	<b>JAE 00 208 110 10</b>	Bolt M10x16 - 10.9	
N 910 105 012 019	<b>JAE 00 208 106 12</b>	Bolt M12x1.5x65 - 10.9	
N 910 105 012 022	<b>JAE 00 208 107 12</b>	Bolt M12x80 - 10.9	
N 910 105 012 022	<b>JAE 00 508 107 12</b>	RK Screw connection for air bellows LBT type A B D	Part of RK Screw connection for air bellows LBT type A B D
N 910 105 012 022	<b>JAE 00 508 102 12</b>	RK Screw connection for air bellows LBT type C	Part of RK Screw connection for air bellows LBT type C
N 910 105 012 024	<b>JAE 00 208 100 12</b>	Bolt M12x30 - 10.9	
N 910 105 012 024	<b>JAE 00 50810012</b>	RK Screw connection for air bellows LBT type E	Part of RK Screw connection for air bellows LBT type E
N 910 105 014 010	<b>JAE 00 208 100 14</b>	Bolt M14x1.5x45 - 10.9	
N 910 105 014 010	<b>JAE 00 208 100 14 10</b>	Bolt M14x1.5x45 - 10.9	10-pack
N 910 105 014 010	<b>JAE 00 508 100 14</b>	RK Screw connections, air bellows support type A B C E	5-pack
<b>N 913 023 ...</b>			
N 913 023 010 002	<b>JAE 00 209 102 10 02</b>	Nut M10	2-pack
N 913 023 012 002	<b>JAE 00 209 100 12</b>	Nut M12x1.5	

We reserve the right to make **changes to the technical specifications** of all the products depicted in this catalogue. Updated information may be available in the online catalog at [www.jost-axle-systems.com](http://www.jost-axle-systems.com). Please refer to the appropriate documentation for installation, assembly and repair instructions. You can find further technical details and information (e.g. mounting and operating instructions) as well as terms of guarantee at [www.jost-axle-systems.com](http://www.jost-axle-systems.com)



## JOST

## ROCKINGER



- 1 Fifth wheel couplings and systems**  
2" and 3 1/2" fifth wheel couplings in a variety of construction heights, bearing types and versions, mounting plates, sliders and dual-height fifth wheel systems; sensor-controlled systems for the coupling procedure between truck and trailer



- 2 King pins**  
2" and 3 1/2" king pins with a conical or plate-shaped flange



- 3 Landing gears**  
Landing gears with variable bolting heights, crank handles, connection shaft-lengths and foot types, special landing gears for special applications



- 4 Axle systems**  
Weight-saving trailer axles with various special equipment for a wide range of uses



- 5 Hubodometers**  
Used to calculate distance driven, independent of the truck



- 6 Ball bearing turntables**  
Ball bearing turntables and slewing rings in a wide range of sizes and versions



- 7 Container technology**  
Components for intermodal transports, supports, twist locks and bolsters, swap body lifting devices, guide roller bearings and bearings



- 8 Road traffic**  
Open-end, hook and ball towing hitches, suspension elements, VARIOBLOCK alternating system and special models



- 9 Drawbars and towing eyes**  
Drawbars and towing eyes as well as custom-made products for on and off-road usage



- 10 Agriculture**  
Open-end, hook and ball towing hitches, height adjustable brackets and clutch carriers for agriculture and forestry

## TRIDEC



- 11 Steering systems**  
Axel-independent or manufacturer-independent mechanically, hydraulic and electronically controlled steering systems for trailers



- 12 Axle suspensions**  
Air suspension or hydraulically suspended axle suspensions for on and off-road usage

## Edbro



- 13 Vehicle-mounted hydraulic systems**  
Front end, underbody and tipping ejector cylinders for trucks and trailers/trailer tipper



- 14 Customer-specific hydraulic component kits**  
Hydraulic component kits for various applications, chassis-specific hydraulic container component kits

## Member of JOST-World

JOST, Germany Tel. +49 6102 295-0, jost-sales@jost-world.com, www.jost-world.com

JOST Achsen Systeme, Germany Tel. +49 5674 9237-0, sales.achsen@jost-world.com, www.jost-axle-systems.com