



	Ride height FH (mm)	Brake type			
		TSB 4309	TSB 3709	SN 4218	
EAC	205 - 510 mm	Sheet 1a			Standard air bags
			Sheet 1b		
				Sheet 1c	
	250 - 510 mm	Sheet 2a			Long stroke air bags 36-1
			Sheet 2b		
				Sheet 2c	
210 - 490 mm	Sheet 3a			Combi air bags	
		Sheet 3b			
			Sheet 3c		
EAC HD	205 - 510 mm	Sheet 4a			Standard air bags
			Sheet 4b		
				Sheet 4c	
	250 - 510 mm	Sheet 5a			Long stroke air bags 36-1
			Sheet 5b		
				Sheet 5c	
210 - 490 mm	Sheet 6a			Combi air bags	
		Sheet 6b			
			Sheet 6c		

Two-sided lifting device	Sheet 7
One-sided lifting device	Sheet 8



Suspension to drawing AC Sheet No.	Line	Weight of air suspension	Axle weights								
			Weight variations are within the permitted DIN tolerances for the production process, given in kg.								
			Type <sup>1)</sup> SHBF 9010			Type <sup>2)</sup> SKHBF 9010			Type <sup>3)</sup> HSF 9010		
			Track 2040	Track 2095	Track 2140	Track 2040	Track 2095	Track 2140	Track 2040	Track 2095	Track 2140
1a / 4a 1b / 4b 1c / 4c	1	134 <sup>5) 7)</sup>	292	294	296	282	284	286	298	301	302
	2	136 <sup>4) 6)</sup>									
	3	133 <sup>5) 7)</sup>									
	4	136 <sup>4) 6)</sup>									
	5	137 <sup>4) 6)</sup>									
	6	135 <sup>5) 7)</sup>									
	7	137 <sup>4) 6)</sup>									
	8	142 <sup>4) 6)</sup>									
	9	142 <sup>4) 6)</sup>									
	10	142 <sup>4) 6)</sup>									
2a / 5a 2b / 5b 2c / 5c	1	157 <sup>8)</sup>	292	294	296	282	284	286	298	301	302
	2	157 <sup>8)</sup>									
	3	157 <sup>8)</sup>									
	4	157 <sup>8)</sup>									
	5	162 <sup>8)</sup>									
3a / 6a 3b / 6b 3c / 6c	1	143	292	294	296	282	284	286	298	301	302
	2a	144									
	3	149									
	4	145									
	5	149									
	6	149									
	7	150									
	8	150									
	9	150									
7	Two-sided lifting device = 23 kg										
8	Onesided lifting device = 21 kg										

**Additional weight per axle**

- 1) without ABS, without dust cover. Additional weight ABS 0,2 kg, dust cover 2,9 kg
- 2) without ABS, without dust cover. Additional weight ABS 0,2 kg, dust cover 2,2 kg
- 3) without ABS, with dust cover. Additional weight ABS 0,7 kg

**Sheet 1a, 1b, 1c**

**Weight mit central screwed air bag, offset V=20**

- 4) Additional weight air bag 30 mit Universal screwed joint, offset V 0/20/60 = 4,2 kg
- 5) Additional weight air bag 30K mit Universal screwed joint, offset V 0/20/60 = 3,7 kg
- 6) Additional weight air bag 36 offset V 80 = 9,1kg
- 7) Additional weight air bag 36K offset V 80 = 8,8 kg

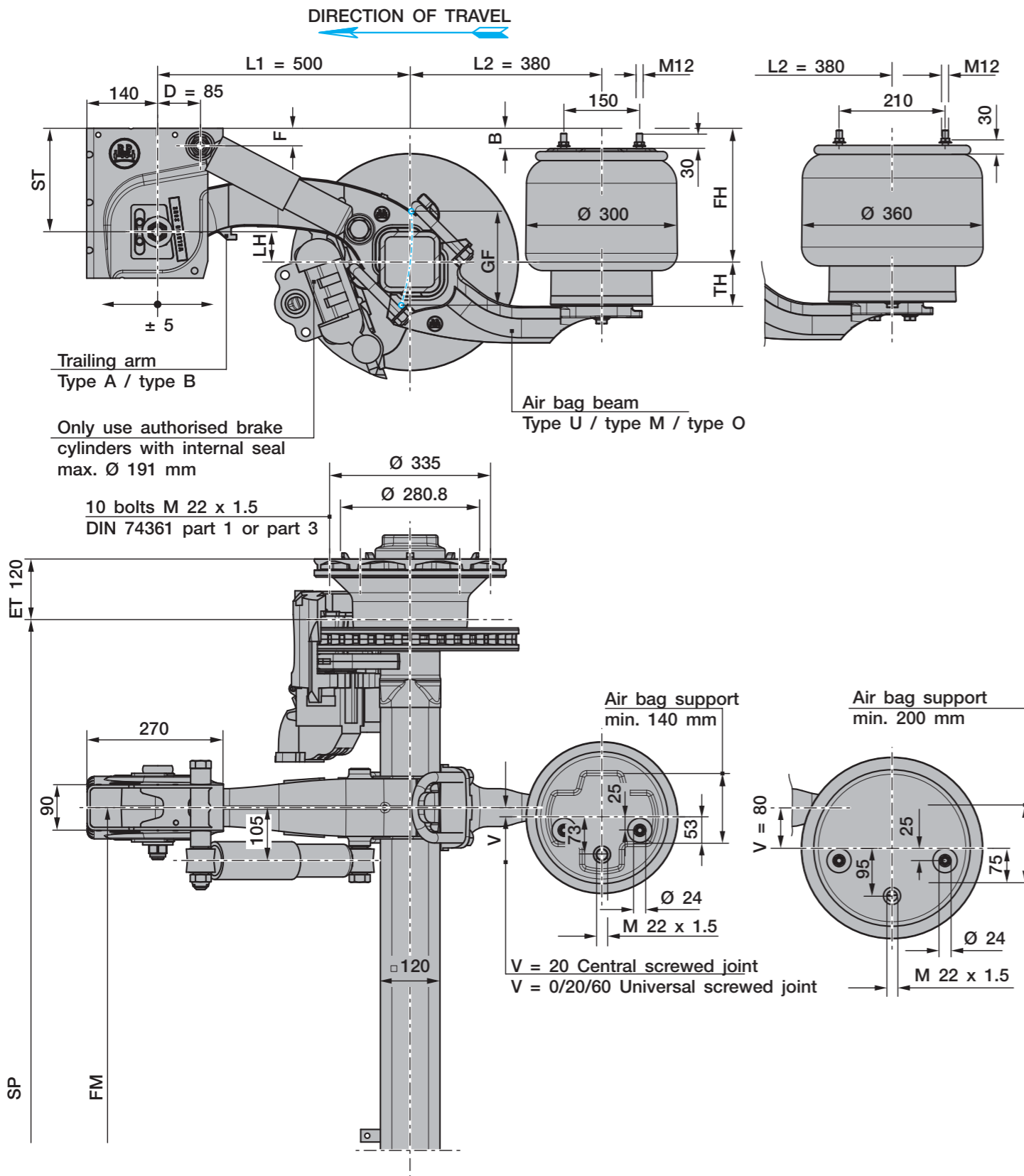
**Sheet 2a, 2b, 2c**

**Weight with air bag 36-1, offset V=80**

- 8) Additional weight air bag 36-1 offset V 45/80 = 3,9 kg

**Determining the total weight**

Air suspension parts
+ axle
+ additional weight
= <b>Total weight</b>



Line	Serie AC..	adjustable ride height FH					Total spring travel GF <sup>1)</sup>	Air bag type BPW	Shock absorber 02.37....	Trailing arm		Air bag beam		Hanger bracket		Packer B <sup>2)</sup>
		for single axles	for axle units	min. FH with axle raised	empty without air	loaded without air				LH	Typ	TH	Typ	ST	F	
1	AU	205-255	215-255	245	145	130	190	30K / 36K	..22.79.02	60	A	155	U	205	35	0
2		235-305	245-305	275	175	160	220	30 / 36				85	M			
3	AM	245-295	255-295	285	185	170	190	30K / 36K	..22.89.02	130	B	-10	O	290	67	40
4		275-345	285-345	315	215	200	220	30 / 36								
5	BM	300-370	310-370	340	240	225	220	30 / 36	..22.83.02							
6		330-380	340-380	370	270	255	190	30K / 36K								
7		360-425	370-425	400	300	285	220	30 / 36	..22.88.02							
8	BO	390-460	400-460	430	330	315	220	30 / 36								
9		415-485	425-485	455	355	340	220	30 / 36								
10		450-510	460-510	490	390	375	220	30 / 36								

<sup>1)</sup> Lifting heights acc. to TD-1242.0

<sup>2)</sup> The packer is not included in supplied package.

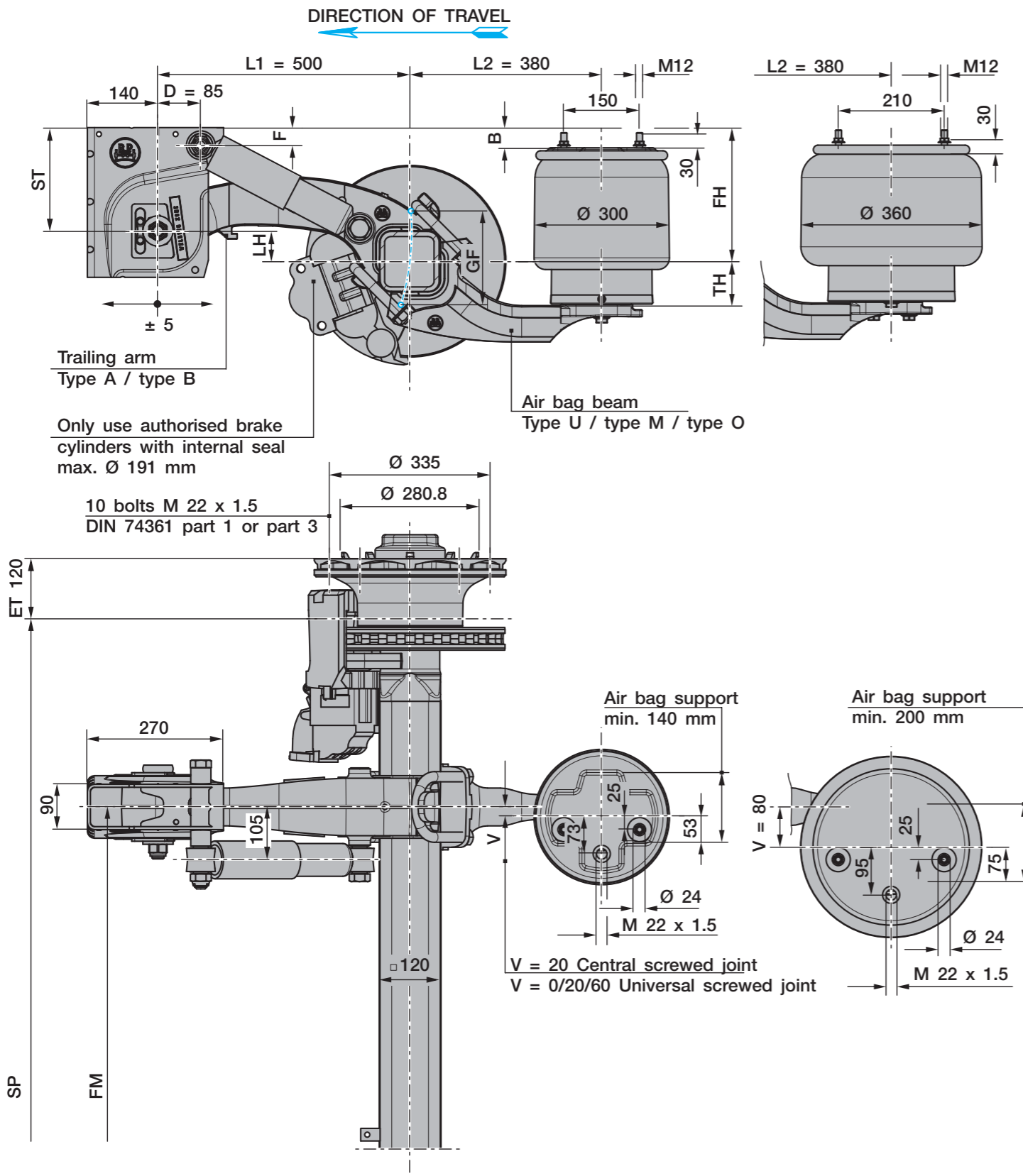
Axle type	Track SP	Spring centre FM	Tyres recommended	Height of centre of gravity <sup>3)</sup>
<b>SHBF 9010</b>	2040	1200	385/65 R22,5 385/55 R22,5	2500
	2095	1300		2700
	2140	1400		2850

<sup>3)</sup> Calculation reference: 0.4 g acceleration at right angles, side tilt body approx. 3.5° without taking account the tipping limit and tyre damping

- > Max. inclination angle of the semitrailer under full load and lowest adjustable ride height ±1°
- > Bag pressures acc. to TE-1188.0 sheet 15 ( 30/30K ), sheet 11 ( 36/36K )
- > The hanger brackets, air bag supports and the frame must be reinforced so that the forces applied can be absorbed. See the current BPW installation instructions.

**Example name SKHBFACAU 9010 V30K**

SHBF	ACAU	9010	V	30K
Axle type	Serie Air suspension	Axle type	Hanger bracket, adjustable	Air bag type



Line	Serie AC..	adjustable ride height FH					Total spring travel GF <sup>1)</sup>	Air bag type BPW	Shock absorber 02.37..	Trailing arm		Air bag beam		Hanger bracket		Packer B <sup>2)</sup>	
		for single axles	for axle units	min. FH with axle raised	empty without air	loaded without air				LH	Typ	TH	Typ	ST	F		
1	AU	205-255	215-255	245	145	130	190	30K / 36K	..22.79.02	60	A	155	U	205	35	0	
2		235-305	245-305	275	175	160	220	30 / 36									
3	AM	245-295	255-295	285	185	170	190	30K / 36K				85	M				
4		275-345	285-345	315	215	200	220	30 / 36	..22.89.02	130	B	-10	O	290	67	40	
5	BM	300-370	310-370	340	240	225	220	30 / 36									
6		330-380	340-380	370	270	255	190	30K / 36K									
7		360-425	370-425	400	300	285	220	30 / 36	..22.83.02	130	B	-10	O	290	67	40	
8	BO	390-460	400-460	430	330	315	220	30 / 36									
9		415-485	425-485	455	355	340	220	30 / 36									
10		450-510	460-510	490	390	375	220	30 / 36	..22.88.02								100

<sup>1)</sup> Lifting heights acc. to TD-1242.0

<sup>2)</sup> The packer is not included in supplied package.

Axle type	Track SP	Spring centre FM	Tyres recommended	Height of centre of gravity <sup>5)</sup>
SKHBF 9010	2040	1200	385/65 R22,5	2500
	2095	1300	385/55 R22,5 385/65 R19,5 <sup>3)</sup>	2700
	2140	1400	435/50 R19,5 <sup>4)</sup> 445/45 R19,5 <sup>4)</sup>	2850

<sup>3)</sup> The load rating of the tyre entered in the drawing is unrelated to the axle load capacity. It is dependent on the information from the tyre manufacturer.

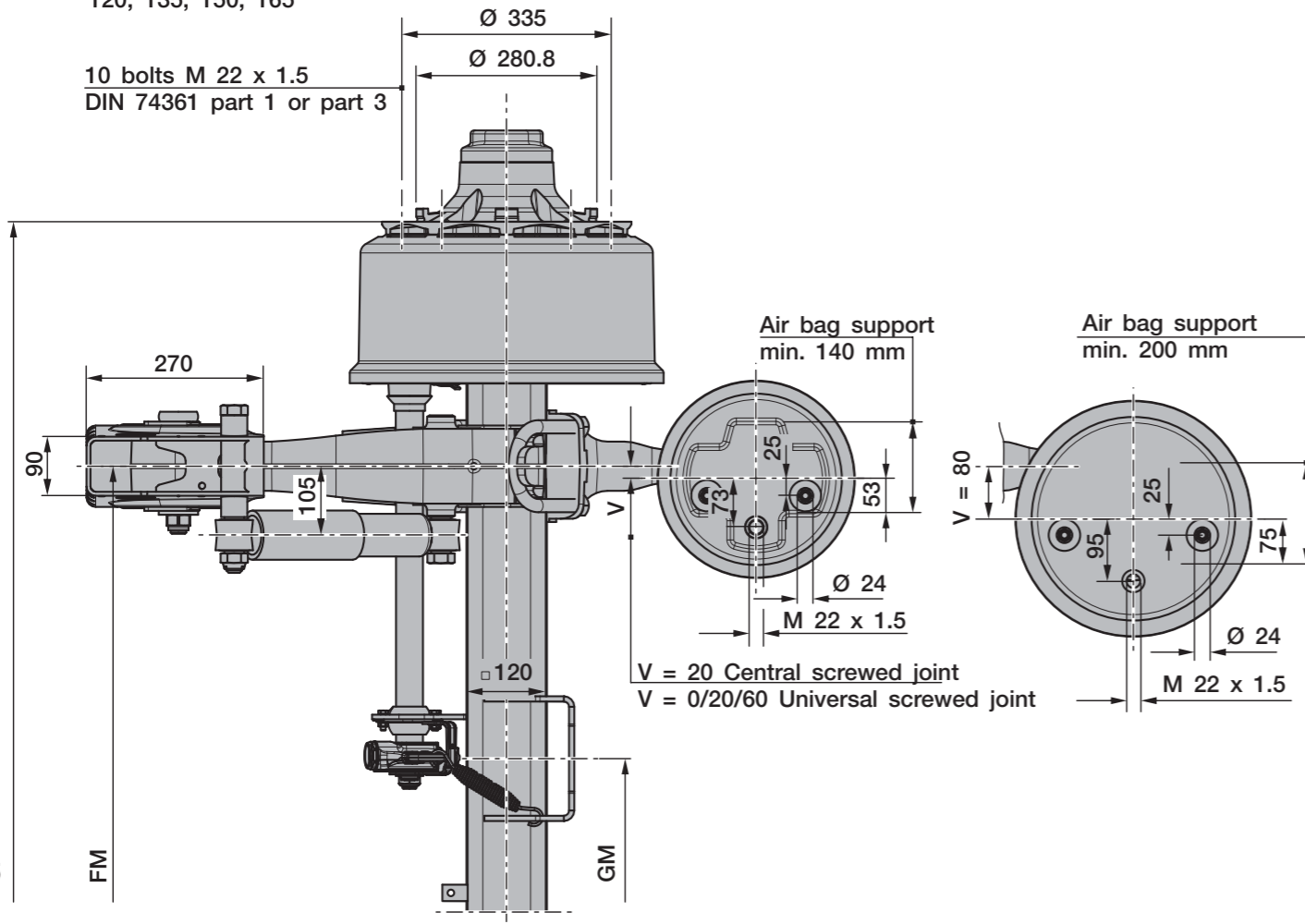
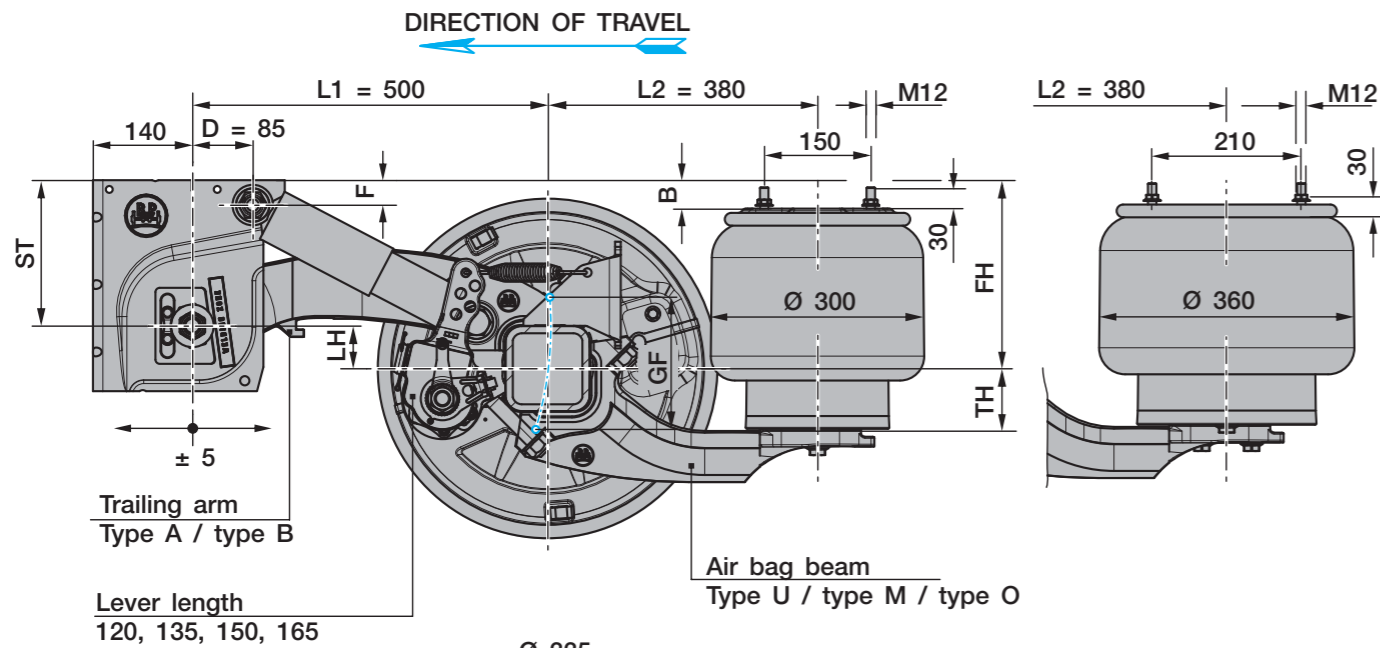
<sup>4)</sup> Pay attention to the maximum overall width and clearance between air bag and tyres (min. 30 mm)

<sup>5)</sup> Calculation reference: 0.4 g acceleration at right angles, side tilt body approx. 3.5° without taking account the tipping limit and tyre damping

- > Max. inclination angle of the semitrailer under full load and lowest adjustable ride height ±1°
- > Bag pressures acc. to TE-1188.0 sheet 15 (30/30K), sheet 11 (36/36K)
- > The hanger brackets, air bag supports and the frame must be reinforced so that the forces applied can be absorbed. See the current BPW installation instructions.

**Example name SKHBFACAU 9010 V30K**

SKHBF	ACAU	9010	V	30K
Axle type	Serie Air suspension	Axle type	Hanger bracket, adjustable	Air bag type



Line	Serie AC..	adjustable ride height FH					Total spring travel GF <sup>1)</sup>	Air bag type BPW	Shock absorber 02.37....	Trailing arm		Air bag beam		Hanger bracket		Packer B <sup>2)</sup>	
		for single axles	for axle units	min. FH with axle raised	empty without air	loaded without air				LH	Typ	TH	Typ	ST	F		
1	AU	205-255	215-255	245	145	130	190	30K / 36K	..22.79.02	60	A	155	U	205	35	0	
2		235-305	245-305	275	175	160	220	30 / 36									
3	AM	245-295	255-295	285	185	170	190	30K / 36K				85	M				
4		275-345	285-345	315	215	200	220	30 / 36	..22.89.02	130	B	-10	O	290	67	40	
5	BM	300-370	310-370	340	240	225	220	30 / 36									
6		330-380	340-380	370	270	255	190	30K / 36K									
7		360-425	370-425	400	300	285	220	30 / 36	..22.83.02	130	B	-10	O	290	67	40	
8	BO	390-460	400-460	430	330	315	220	30 / 36									
9		415-485	425-485	455	355	340	220	30 / 36									
10		450-510	460-510	490	390	375	220	30 / 36	..22.88.02								100

<sup>1)</sup> Lifting heights acc. to TD-1242.0

<sup>2)</sup> The packer is not included in supplied package.

Axle type	Track SP	Spring centre FM	Booster bracket centre GM	Brake cylinder <sup>3)</sup>	Tyres recommended	Height of centre of gravity <sup>4)</sup>
HSF 9010	2040	1200	409	M / F	385/65 R22,5 385/55 R22,5	2500
	2095	1300	464			2700
	2140	1400	509			2850

<sup>3)</sup> M = diaphragm cylinder / F = spring brake cylinder

<sup>4)</sup> Calculation reference: 0.4 g acceleration at right angles, side tilt body approx. 3.5° without taking account the tipping limit and tyre damping

> Max. inclination angle of the semitrailer under full load and lowest adjustable ride height ±1°

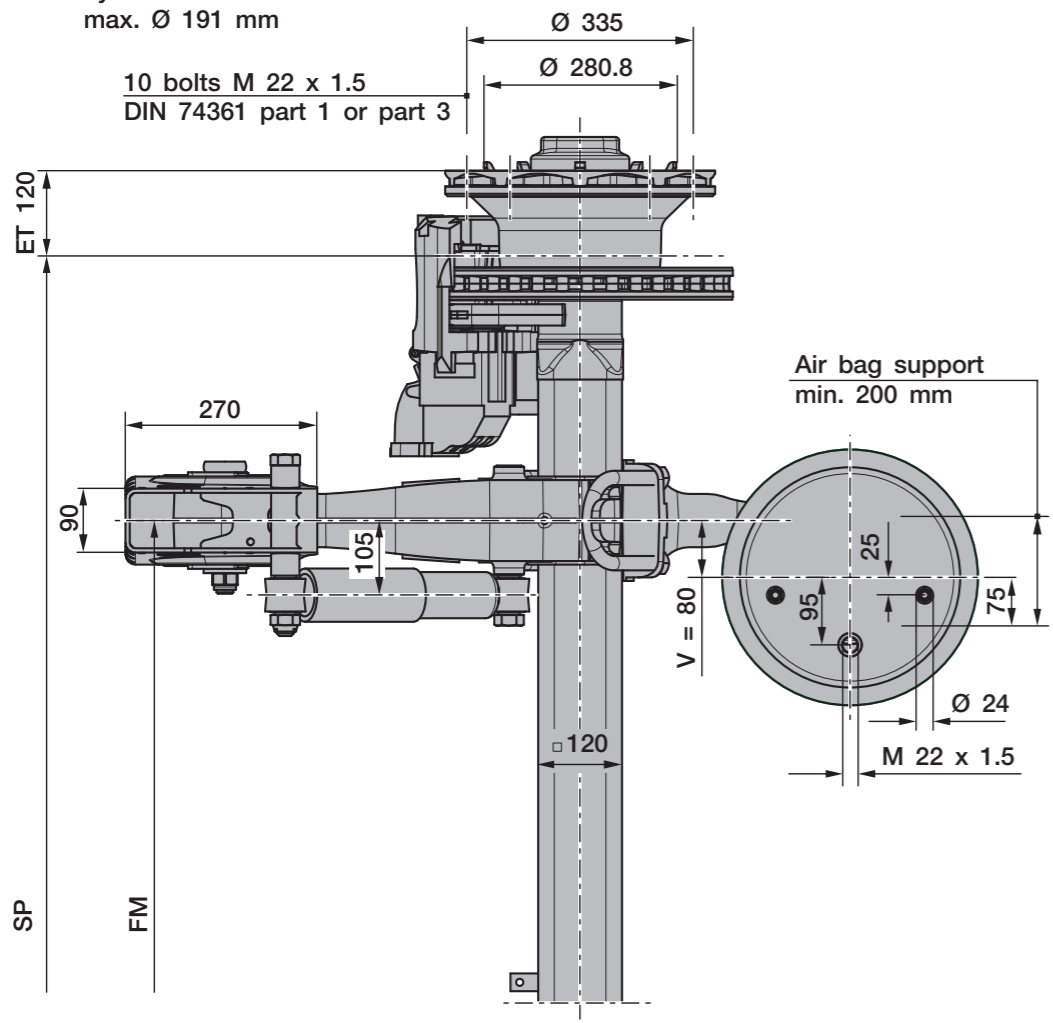
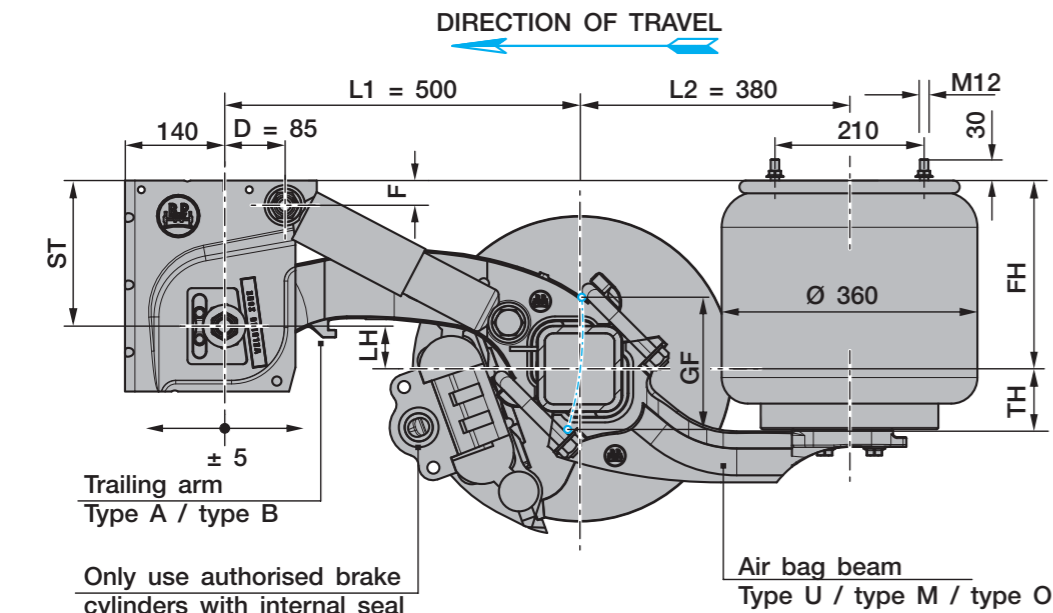
> Bag pressures acc. to TE-1188.0 sheet 15 (30/30K), sheet 11 (36/36K)

> The hanger brackets, air bag supports and the frame must be reinforced so that the forces applied can be absorbed. See the current BPW installation instructions.

**Example name HSFACAU 9010 V30K**

HSF	ACAU	9010	V	30K
Axle type	Serie Air suspension	Axle type	Hanger bracket, adjustable	Air bag type





Line	Serie AC..	adjustable ride height FH					Total spring travel GF <sup>1)</sup>	Air bag type BPW	Shock absorber 02.37...	Trailing arm		Air bag beam		Hanger bracket	
		for single axles	for axle units	min. FH with axle raised	empty without air	loaded without air				LH	Typ	TH	Typ	ST	F
1	AU	250-350	260-350	290	190	175	260	36-1 <sup>2)</sup>	..22.89.02	60	A	155	U	205	35
2	AM	290-350	300-350	330	230	215			..22.83.02			85			
3	BM	320-425	330-425	360	260	245			..22.88.02	130	B	-10	O		
4	BO	375-425	385-425	415	315	300									
5		410-510	420-510	450	350	335									

<sup>1)</sup> Lifting heights acc. to TD-1242.0

<sup>2)</sup> Stroke limiting is required in vehicles with a lifting and lowering device.

Axle type	Track SP	Spring centre FM	Tyres recommended	Height of centre of gravity <sup>3)</sup>
SHBF 9010	2040	1200	385/65 R22,5 385/55 R22,5	2500
	2095	1300		2700
	2140	1400		2850

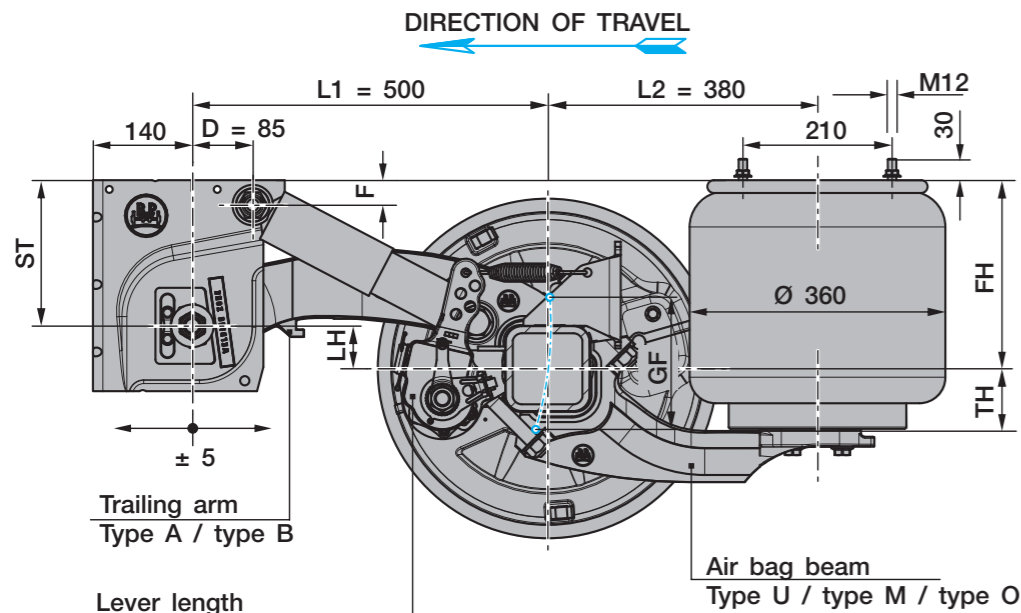
<sup>3)</sup> Calculation reference: 0.4 g acceleration at right angles, side tilt body approx. 3.5° without taking account the tipping limit and tyre damping

- Max. inclination angle of the semitrailer under full load and lowest adjustable ride height ±1°
- Bag pressures acc. to TE-1188.0 sheet 11
- The hanger brackets, air bag supports and the frame must be reinforced so that the forces applied can be absorbed. See the current BPW installation instructions.

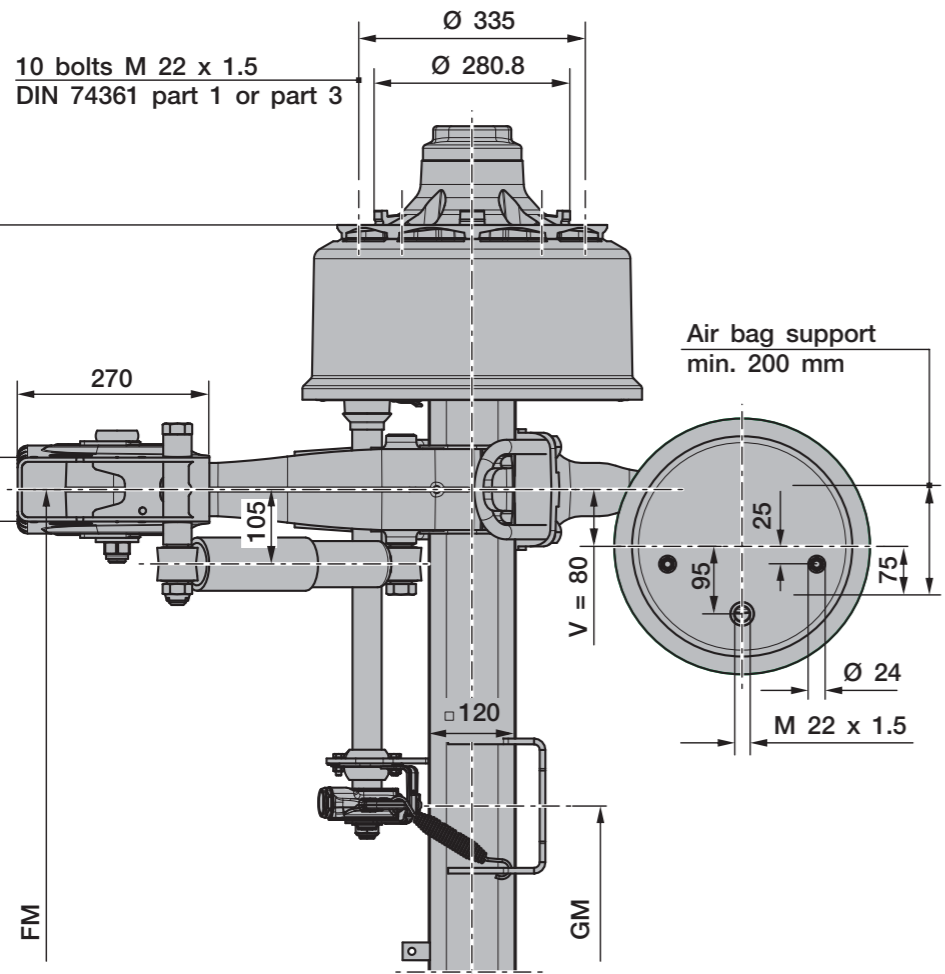
Example name SHBFACAU 9010 V36-1

SHBF	ACAU	9010	V	36-1
Axle type	Serie Air suspension	Axle type	Hanger bracket, adjustable	Air bag type





Lever length  
120, 135, 150, 165



Line	Serie AC..	adjustable ride height FH				Total spring travel GF <sup>1)</sup>	Air bag type BPW	Shock absorber 02.37...	Trailing arm		Air bag beam		Hanger bracket	
		for single axles	for axle units	min. FH with axle raised	empty without air				loaded without air	LH	Typ	TH	Typ	ST
1	AU	250-350	260-350	290	190	175	36-1 <sup>2)</sup>	..22.89.02	60	A	155	U	205	35
2	AM	290-350	300-350	330	230	215		..22.83.02			85			
3	BM	320-425	330-425	360	260	245		..22.88.02	130	B	-10	O		
4	BO	375-425	385-425	415	315	300								
5		410-510	420-510	450	350	335								

<sup>1)</sup> Lifting heights acc. to TD-1242.0

<sup>2)</sup> Stroke limiting is required in vehicles with a lifting and lowering device.

Axle type	Track SP	Spring centre FM	Booster bracket centre GM	Brake cylinder <sup>3)</sup>	Tyres recommended	Height of centre of gravity <sup>4)</sup>
HSF 9010	2040	1200	409	M / F	385/65 R22,5 385/55 R22,5	2500
	2095	1300	464			2700
	2140	1400	509			2850

<sup>3)</sup> M = diaphragm cylinder / F = spring brake cylinder

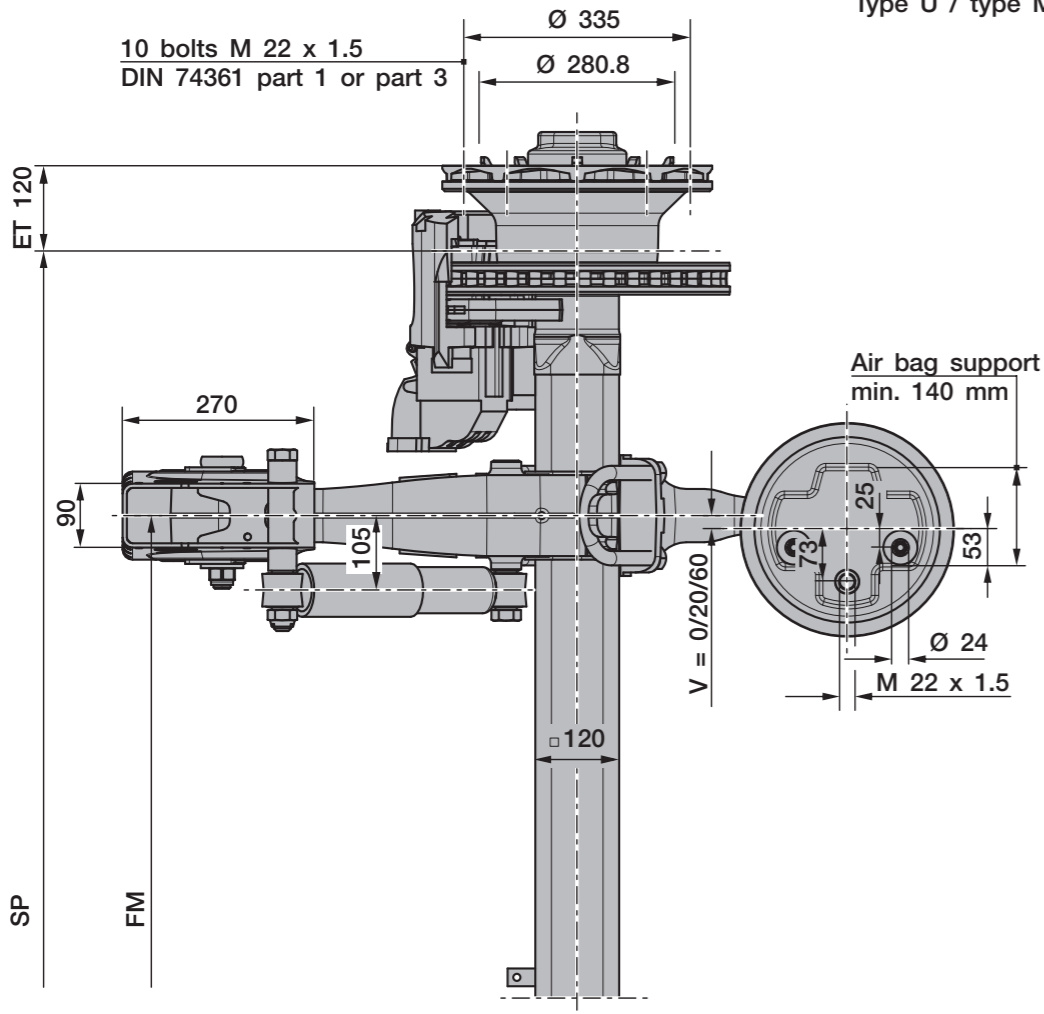
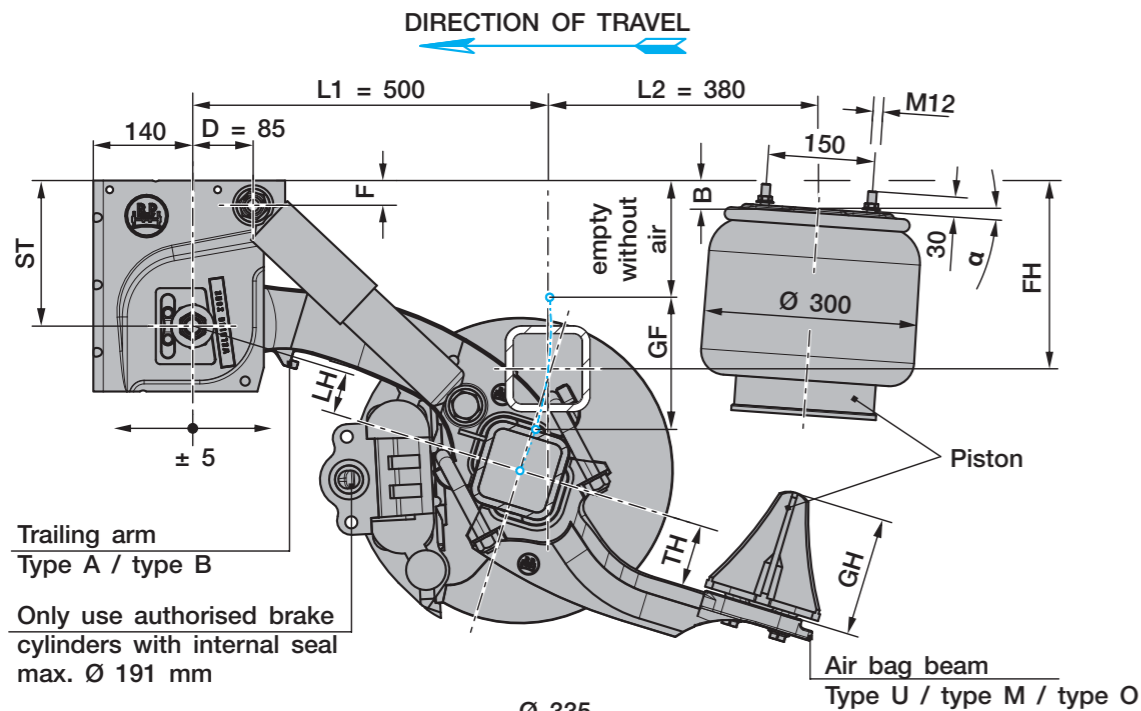
<sup>4)</sup> Calculation reference: 0.4 g acceleration at right angles, side tilt body approx. 3.5° without taking account the tipping limit and tyre damping

- ▶ Max. inclination angle of the semitrailer under full load and lowest adjustable ride height ±1°
- ▶ Bag pressures acc. to TE-1188.0 sheet 11
- ▶ The hanger brackets, air bag supports and the frame must be reinforced so that the forces applied can be absorbed. See the current BPW installation instructions.

Example name HSFACAU 9010 V36-1

HSF	ACAU	9010	V	36-1
Axle type	Serie Air suspension	Axle type	Hanger bracket, adjustable	Air bag type





Line	Serie AC..	adjustable ride height FH					Total spring travel GF <sup>1)</sup>	Combi Air bag		Shock absorber 02.37....	Trailing arm		Air bag beam		Hanger bracket		Packer <sup>2)</sup>	
		for single axles	for axle units	min. FH with axle raised	empty without air	loaded without air		05.429...	Piston height GH		LH	Typ	TH	Typ	ST	F	B	α
1		210-260	220-260	250	150	135	190	..42.05.1	135	..22.79.02	60	A	155	U	205	35	0	4,5°
2a	AU	240-290	250-290	280	180	165									290	67	0	
3		270-320	280-320	310	210	195												
4	BM	300-350	310-350	340	240	225		..42.11.1	180	..22.89.02	130	B	85	M	205	35	0	
5	AM	330-370	340-370	370	270	255	180				60	A					40	
6		365-415	375-415	405	305	290		..42.05.1	135								0	
7	BO	390-440	400-440	430	330	315	190			..22.83.02	130	B	-10	O	290	67	0	
8		415-465	425-465	455	355	340		..42.11.1	180								40	
9		450-490	460-490	490	390	375	180										100	

<sup>1)</sup> Lifting heights acc. to TD-1242.0

<sup>2)</sup> The packer is not included in supplied package.

Axle type	Track SP	Spring centre FM	Tyres recommended	Height of centre of gravity <sup>3)</sup>
SHBF 9010	2040	1200	385/65 R22,5 385/55 R22,5	2500
	2095	1300		2700
	2140	1400		2850

<sup>3)</sup> Calculation reference: 0.4 g acceleration at right angles, side tilt body approx. 3.5° without taking account the tipping limit and tyre damping

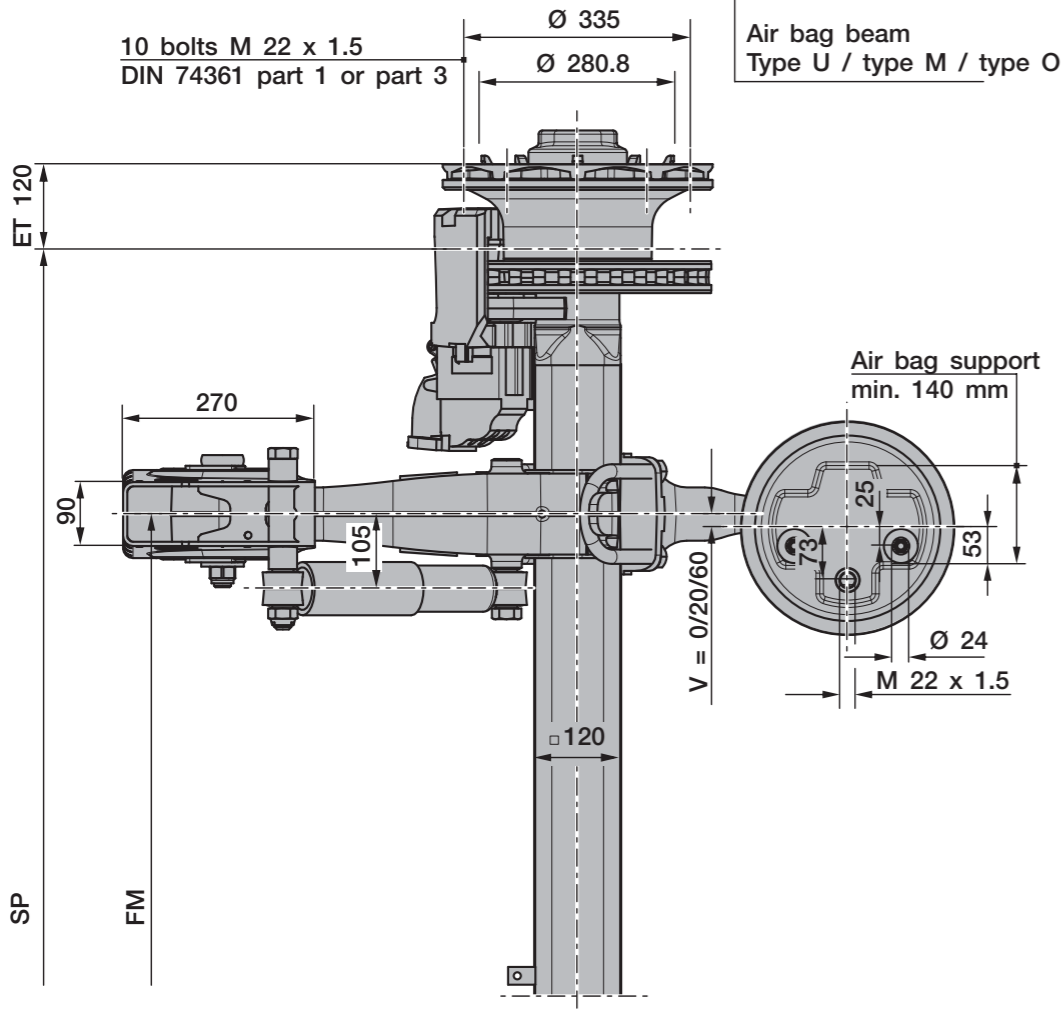
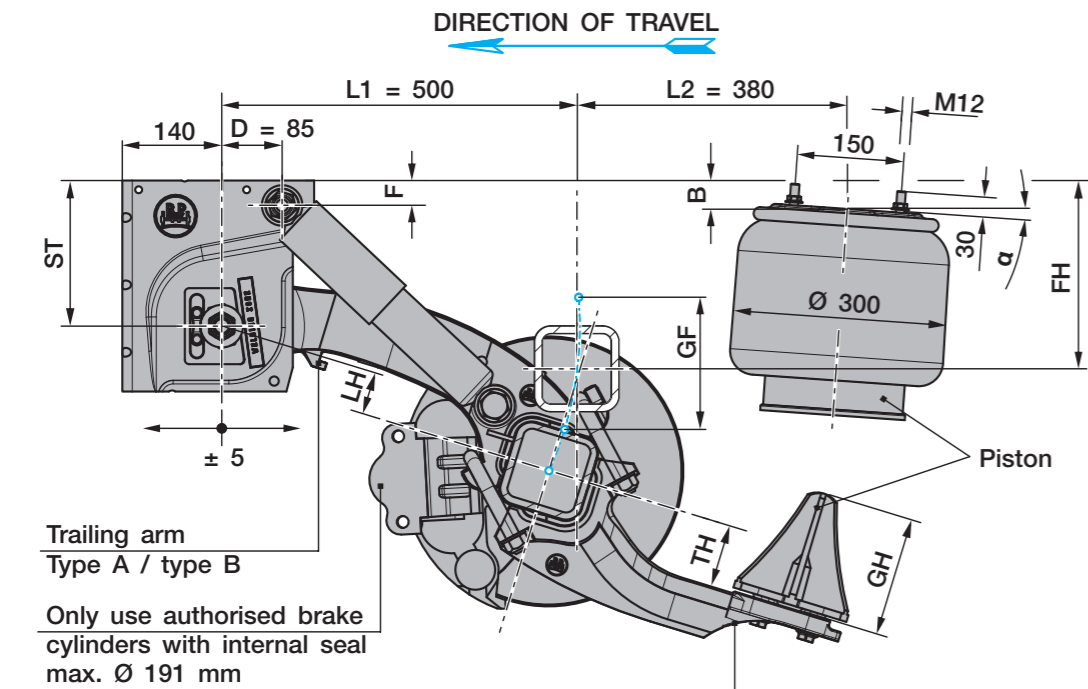
- > Max. inclination angle of the semitrailer under full load and lowest adjustable ride height ±1°
- > Bag pressures acc. to TE-1188.0 sheet 15
- > The hanger brackets, air bag supports and the frame must be reinforced so that the forces applied can be absorbed. See the current BPW installation instructions.

Example name SHBFACAU 9010 VG30K

SHBF	ACAU	9010	V	G30K
Axle type	Serie Air suspension	Axle type	Hanger bracket, adjustable	Air bag type

Rev. 3 (B) 04.08.2016

Subject to change without notice



Line	Serie AC..	adjustable ride height FH					Total spring travel GF <sup>1)</sup>	Combi Air bag		Shock absorber 02.37....	Trailing arm		Air bag beam		Hanger bracket		Packer <sup>2)</sup>						
		for single axles	for axle units	min. FH with axle raised	empty without air	loaded without air		05.429...	Piston height GH		LH	Typ	TH	Typ	ST	F	B	α					
1		210-260	220-260	250	150	135	190	..42.05.1	135	..22.79.02	60	A	155	U	205	35	0	4,5°					
2a	AU	240-290	250-290	280	180	165		..42.11.1	180						..22.89.02	130	B		85	M	290	67	0
3		270-320	280-320	310	210	195															205	35	0
4	BM	300-350	310-350	340	240	225	180	..42.05.1	135	..22.83.02	130	B	-10	O	290	67	40	0					
5	AM	330-370	340-370	370	270	255											40						
6		365-415	375-415	405	305	290	190	..42.11.1	180	..22.83.02	130	B	-10	O	290	67	0	0					
7	BO	390-440	400-440	430	330	315											40						
8		415-465	425-465	455	355	340											40						
9		450-490	460-490	490	390	375	180												100				

<sup>1)</sup> Lifting heights acc. to TD-1242.0

<sup>2)</sup> The packer is not included in supplied package.

Axle type	Track SP	Spring centre FM	Tyres recommended	Height of centre of gravity <sup>5)</sup>
SKHBF 9010	2040	1200	385/65 R22,5	2500
	2095	1300	385/55 R22,5 385/55 R19,5 <sup>3)</sup> 435/50 R19,5 <sup>4)</sup>	2700
	2140	1400	445/45 R19,5 <sup>4)</sup>	2850

<sup>3)</sup> The load rating of the tyre entered in the drawing is unrelated to the axle load capacity. It is dependent on the information from the tyre manufacturer.

<sup>4)</sup> Pay attention to the maximum overall width and clearance between air bag and tyres (min. 30 mm)

<sup>5)</sup> Calculation reference: 0.4 g acceleration at right angles, side tilt body approx. 3.5° without taking account the tipping limit and tyre damping

➤ Max. inclination angle of the semitrailer under full load and lowest adjustable ride height ±1°

➤ Bag pressures acc. to TE-1188.0 sheet 15

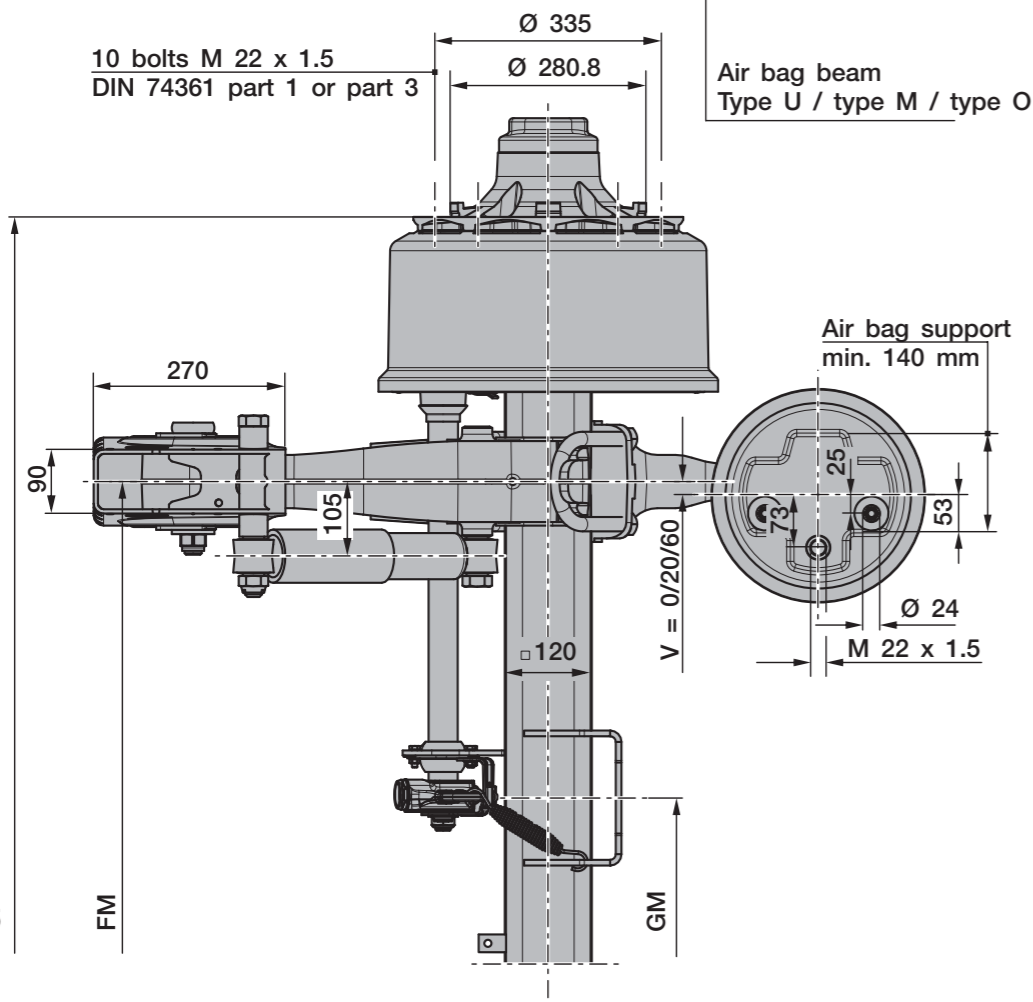
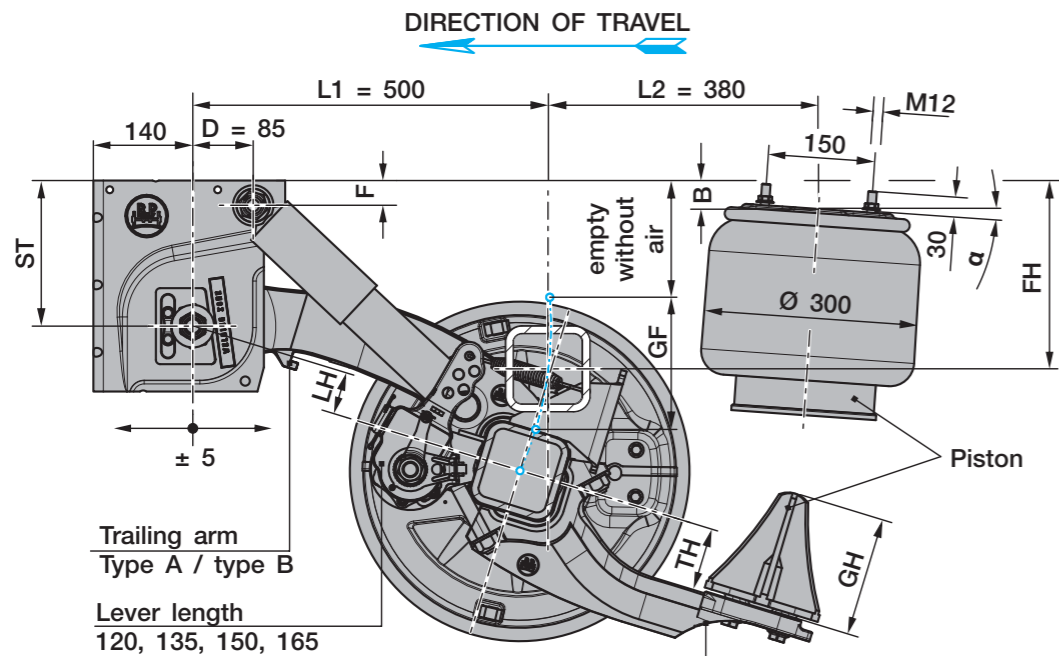
➤ The hanger brackets, air bag supports and the frame must be reinforced so that the forces applied can be absorbed. See the current BPW installation instructions.

**Example name SKHBFACAU 9010 VG30K**

SKHBF	ACAU	9010	V	G30K
Axle type	Serie Air suspension	Axle type	Hanger bracket, adjustable	Air bag type

Rev. 4 (8) 04.08.2016

Subject to change without notice



Line	Serie AC..	adjustable ride height FH					Gesamtfederweg GF <sup>1)</sup>	Combi Air bag		Shock absorber 02.37....	Trailing arm		Air bag beam		Hanger bracket		Packer <sup>2)</sup>	
		for single axles	for axle units	min. FH with axle raised	empty without air	loaded without air		05.429...	Piston height GH		LH	Typ	TH	Typ	ST	F	B	α
1		210-260	220-260	250	150	135	..42.05.1	135	..22.79.02	60	A	155	U	205	35	0	4,5°	
2a	AU	240-290	250-290	280	180	165	..42.11.1	180	..22.89.02	130	B	85	M	205	35	0	0	
3		270-320	280-320	310	210	195										55		
4	BM	300-350	310-350	340	240	225										0		
5	AM	330-370	340-370	370	270	255	180	180	..22.89.02	60	A					40	0	
6		365-415	375-415	405	305	290	..42.05.1	135	..22.83.02	130	B	-10	O	290	67	0		
7	BO	390-440	400-440	430	330	315	190	180	..42.11.1	60	A					40		
8		415-465	425-465	455	355	340	180	180	..22.83.02	130	B	-10	O	290	67	40	0	
9		450-490	460-490	490	390	375	180	180	..22.83.02	130	B	-10	O	290	67	100		

<sup>1)</sup> Lifting heights acc. to TD-1242.0  
<sup>2)</sup> The packer is not included in supplied package.

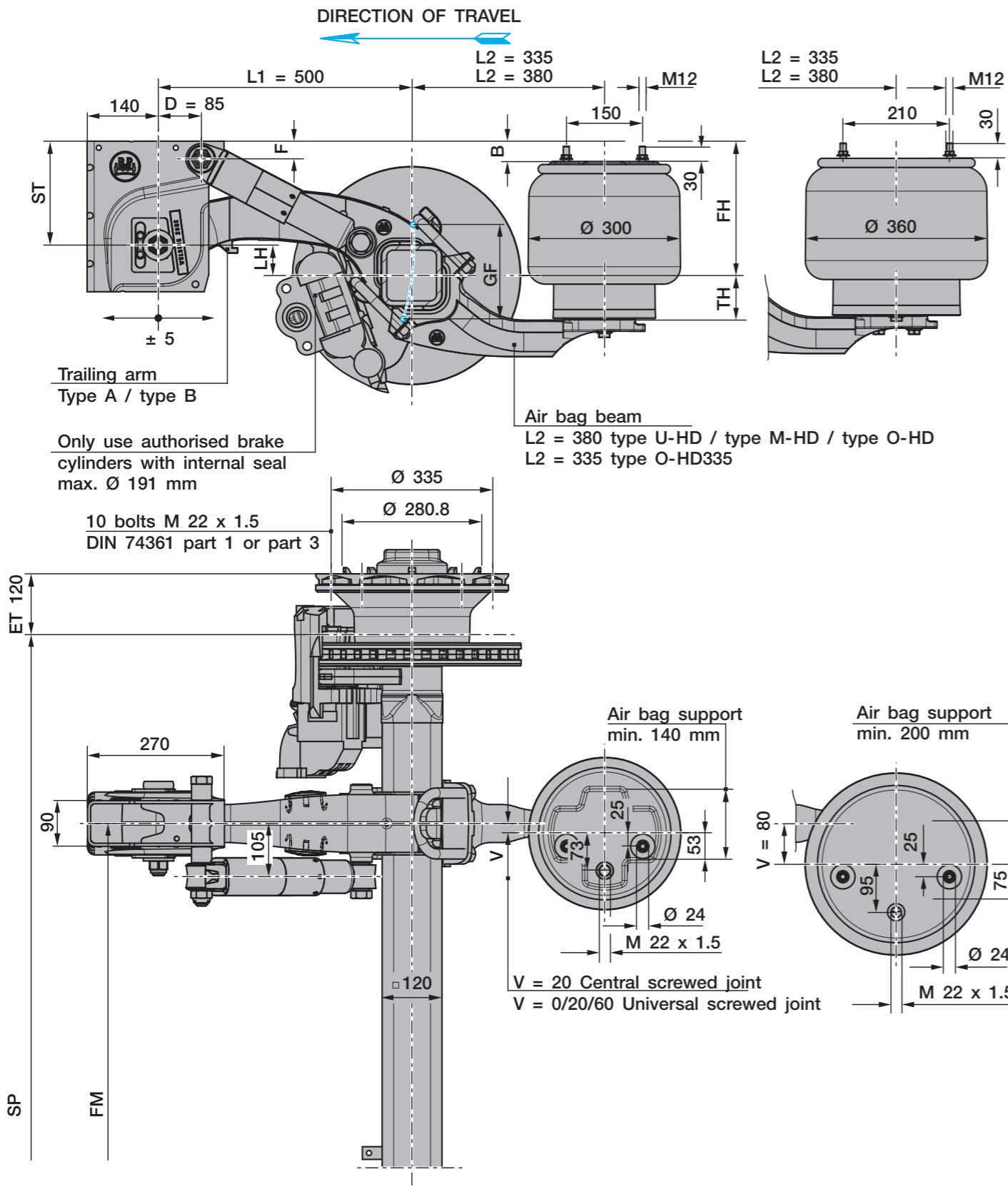
Axle type	Track SP	Spring centre FM	Booster bracket centre GM	Brake cylinder <sup>3)</sup>	Tyres recommended	Height of centre of gravity <sup>4)</sup>
HSF 9010	2040	1200	409	M / F	385/65 R22,5 385/55 R22,5	2500
	2095	1300	464			2700
	2140	1400	509			2850

<sup>4)</sup> Calculation reference: 0.4 g acceleration at right angles, side tilt body approx. 3.5° without taking account the tipping limit and tyre damping

- > Max. inclination angle of the semitrailer under full load and lowest adjustable ride height ±1°
- > Bag pressures acc. to TE-1188.0 sheet 15
- > The hanger brackets, air bag supports and the frame must be reinforced so that the forces applied can be absorbed. See the current BPW installation instructions.

Example name HSFACAU 9010 VG30K

HSF	ACAU	9010	V	G30K
Axle type	Serie Air suspension	Axle type	Hanger bracket, adjustable	Air bag type



Line	Serie AC..HD	adjustable ride height FH					Total spring travel GF <sup>1)</sup>	Air bag type BPW	Shock absorber 02.37....	Trailing arm		Air bag beam		Hanger bracket		Packer B <sup>2)</sup>
		for single axles	for axle units	min. FH with axle raised	empty without air	loaded without air				LH	Typ	TH	Typ	ST	F	
1	AU	205-255	215-255	245	145	130	190	30K / 36K	..32.05.02	60	A-HD	155	U-HD	205	35	0
2		235-305	245-305	275	175	160	220	30 / 36				85	M-HD			
3	AM	245-295	255-295	285	185	170	190	30K / 36K	..32.07.02	130	B-HD	-10	O-HD	290	67	40
4		275-345	285-345	315	215	200	220	30 / 36								
5	BM	300-370	310-370	340	240	225	220	30 / 36	..32.08.02	130	B-HD	-10	O-HD	290	67	40
6		330-380	340-380	370	270	255	190	30K / 36K								
7		360-425	370-425	400	300	285	220	30 / 36	..32.06.02	130	B-HD	-10	O-HD	290	67	40
8	BO	390-460	400-460	430	330	315	220	30 / 36								
9		415-485	425-485	455	355	340	220	30 / 36	..32.06.02	130	B-HD	-10	O-HD	290	67	40
10		450-510	460-510	490	390	375	220	30 / 36								

<sup>1)</sup> Lifting heights acc. to TD-1242.0

<sup>2)</sup> The packer is not included in supplied package.

Axle type	Track SP	Spring centre FM	Tyres recommended	Height of centre of gravity <sup>3)</sup>
SHBF 9010	2040	1200	385/65 R22,5 385/55 R22,5	2500
	2095	1300		2700
	2140	1400		2850

<sup>3)</sup> Calculation reference: 0.4 g acceleration at right angles, side tilt body approx. 3.5° without taking account the tipping limit and tyre damping

- > Max. inclination angle of the semitrailer under full load and lowest adjustable ride height ±1°
- > Bag pressures acc. to TE-1188.0 sheet 15 (30/30K), sheet 11 (36/36K)
- > The hanger brackets, air bag supports and the frame must be reinforced so that the forces applied can be absorbed. See the current BPW installation instructions.

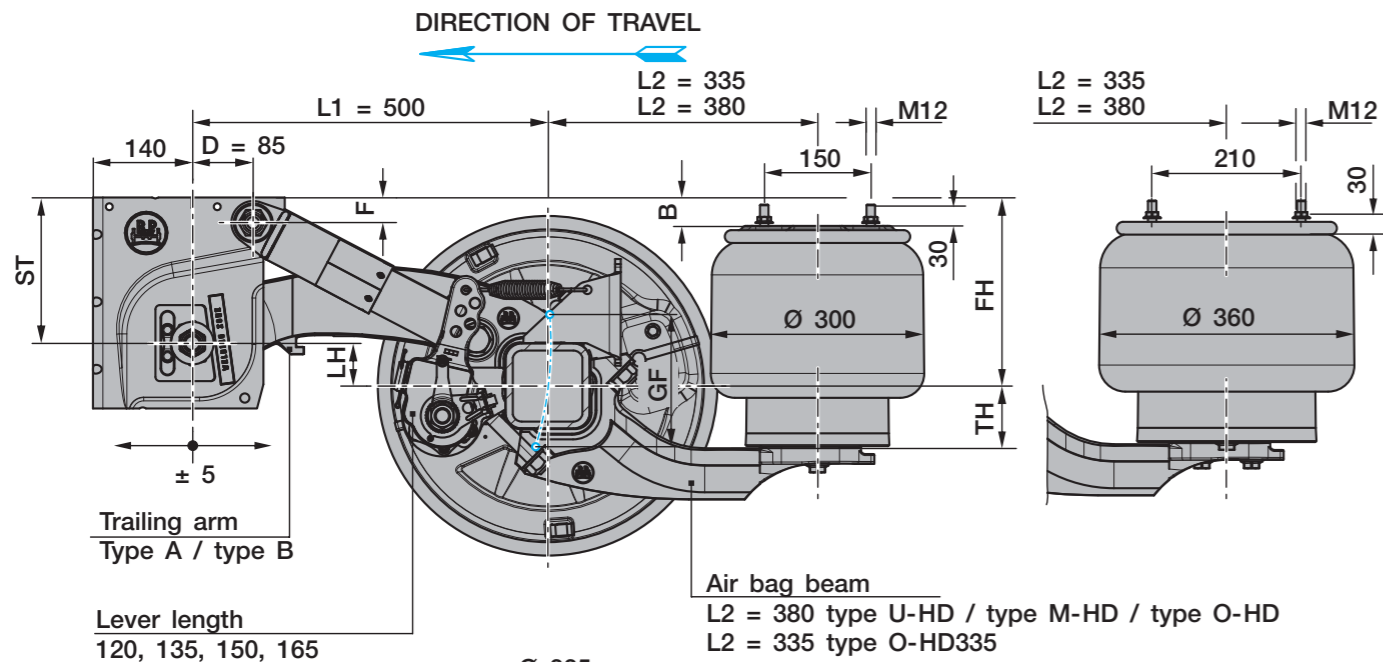
Example name SKHBFACAU 9010 V30K

SHBF	ACAU	9010	V	30K
Axle type	Serie Air suspension	Axle type	Hanger bracket, adjustable	Air bag type



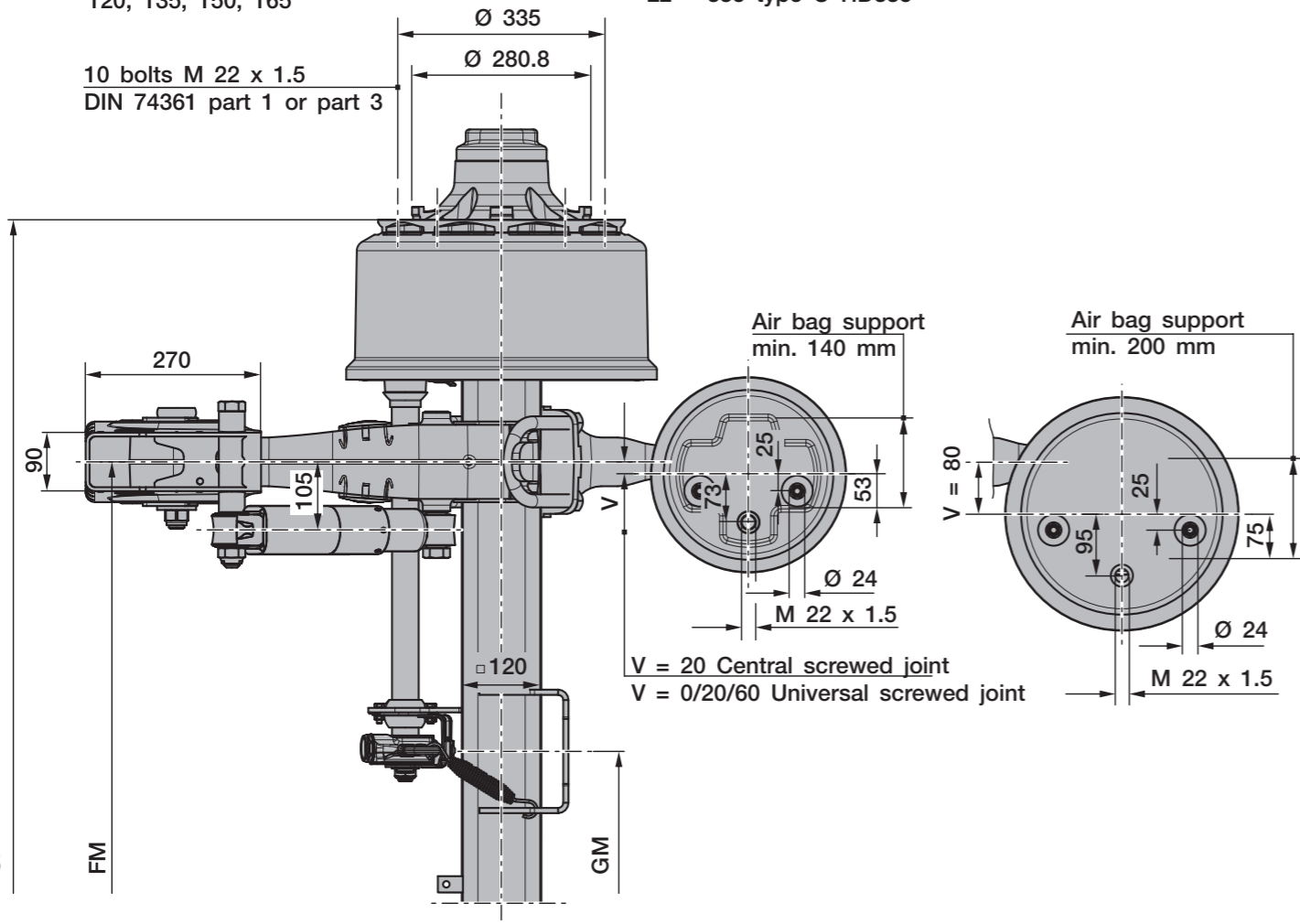






Lever length  
120, 135, 150, 165

10 bolts M 22 x 1.5  
DIN 74361 part 1 or part 3



Line	Serie AC..HD	adjustable ride height FH					Total spring travel GF <sup>1)</sup>	Air bag type BPW	Shock absorber 02.37...	Trailing arm		Air bag beam		Hanger bracket		Packer B <sup>2)</sup>
		for single axles	for axle units	min. FH with axle raised	empty without air	loaded without air				LH	Typ	TH	Typ	ST	F	
1	AU	205-255	215-255	245	145	130	190	30K / 36K	..32.05.02	60	A-HD	155	U-HD	205	35	0
2		235-305	245-305	275	175	160	220	30 / 36								
3	AM	245-295	255-295	285	185	170	190	30K / 36K								
4		275-345	285-345	315	215	200	220	30 / 36	..32.07.02			85	M-HD			
5	BM	300-370	310-370	340	240	225	220	30 / 36								
6		330-380	340-380	370	270	255	190	30K / 36K	..32.08.02	130	B-HD	-10	O-HD			
7		360-425	370-425	400	300	285	220	30 / 36								
8	BO	390-460	400-460	430	330	315	220	30 / 36								
9		415-485	425-485	455	355	340	220	30 / 36	..32.06.02				O-HD335	290	67	40
10		450-510	460-510	490	390	375	220	30 / 36								

<sup>1)</sup> Lifting heights acc. to TD-1242.0

<sup>2)</sup> The packer is not included in supplied package.

Axle type	Track SP	Spring centre FM	Booster bracket centre GM	Brake cylinder <sup>3)</sup>	Tyres recommended	Height of centre of gravity <sup>4)</sup>
HSF 9010	2040	1200	409	M / F	385/65 R22,5 385/55 R22,5	2500
	2095	1300	464			2700
	2140	1400	509			2850

<sup>3)</sup> M = diaphragm cylinder / F = spring brake cylinder

<sup>4)</sup> Calculation reference: 0.4 g acceleration at right angles, side tilt body approx. 3.5° without taking account the tipping limit and tyre damping

> Max. inclination angle of the semitrailer under full load and lowest adjustable ride height ±1°

> Bag pressures acc. to TE-1188.0 sheet 15 (30/30K), sheet 11 (36/36K)

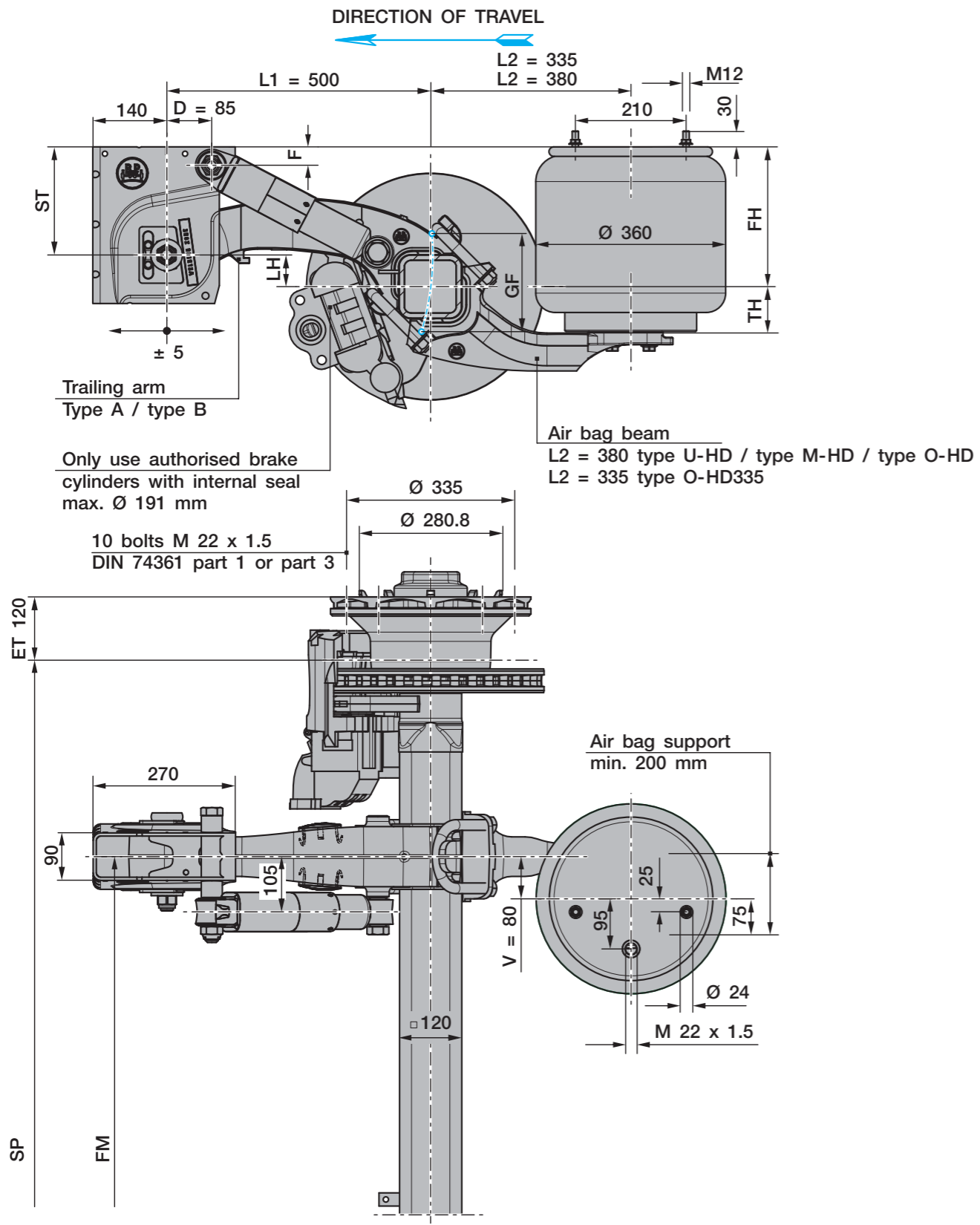
> The hanger brackets, air bag supports and the frame must be reinforced so that the forces applied can be absorbed. See the current BPW installation instructions.

Example name HSFACAU 9010 V30K

HSF	ACAU	9010	V	30K
Axle type	Serie Air suspension	Axle type	Hanger bracket, adjustable	Air bag type

Rev. 1 (8) 05.05.2017

Subject to change without notice



Line	Serie AC..HD	adjustable ride height FH					Total spring travel GF <sup>1)</sup>	Air bag type BPW	Shock absorber 02.37....	Trailing arm		Air bag beam		Hanger bracket	
		for single axles	for axle units	min. FH with axle raised	empty without air	loaded without air				LH	Typ	TH	Typ	ST	F
1	AU	250-350	260-350	290	190	175	260	36-1 <sup>2)</sup>	..32.07.02	60	A-HD	155	U-HD	205	35
2	AM	290-350	300-350	330	230	215						85	M-HD		
3	BM	320-425	330-425	360	260	245			..32.08.02	130	B-HD	-10	O-HD	290	67
4	BO	375-425	385-425	415	315	300							O-HD335		
5	BO	410-510	420-510	450	350	335							O-HD335		

<sup>1)</sup> Lifting heights acc. to TD-1242.0

<sup>2)</sup> Stroke limiting is required in vehicles with a lifting and lowering device.

Axle type	Track SP	Spring centre FM	Tyres recommended	Height of centre of gravity <sup>3)</sup>
SHBF 9010	2040	1200	385/65 R22,5 385/55 R22,5	2500
	2095	1300		2700
	2140	1400		2850

<sup>3)</sup> Calculation reference: 0.4 g acceleration at right angles, side tilt body approx. 3.5° without taking account the tipping limit and tyre damping

➤ Max. inclination angle of the semitrailer under full load and lowest adjustable ride height ±1°

➤ Bag pressures acc. to TE-1188.0 sheet 11

➤ The hanger brackets, air bag supports and the frame must be reinforced so that the forces applied can be absorbed. See the current BPW installation instructions.

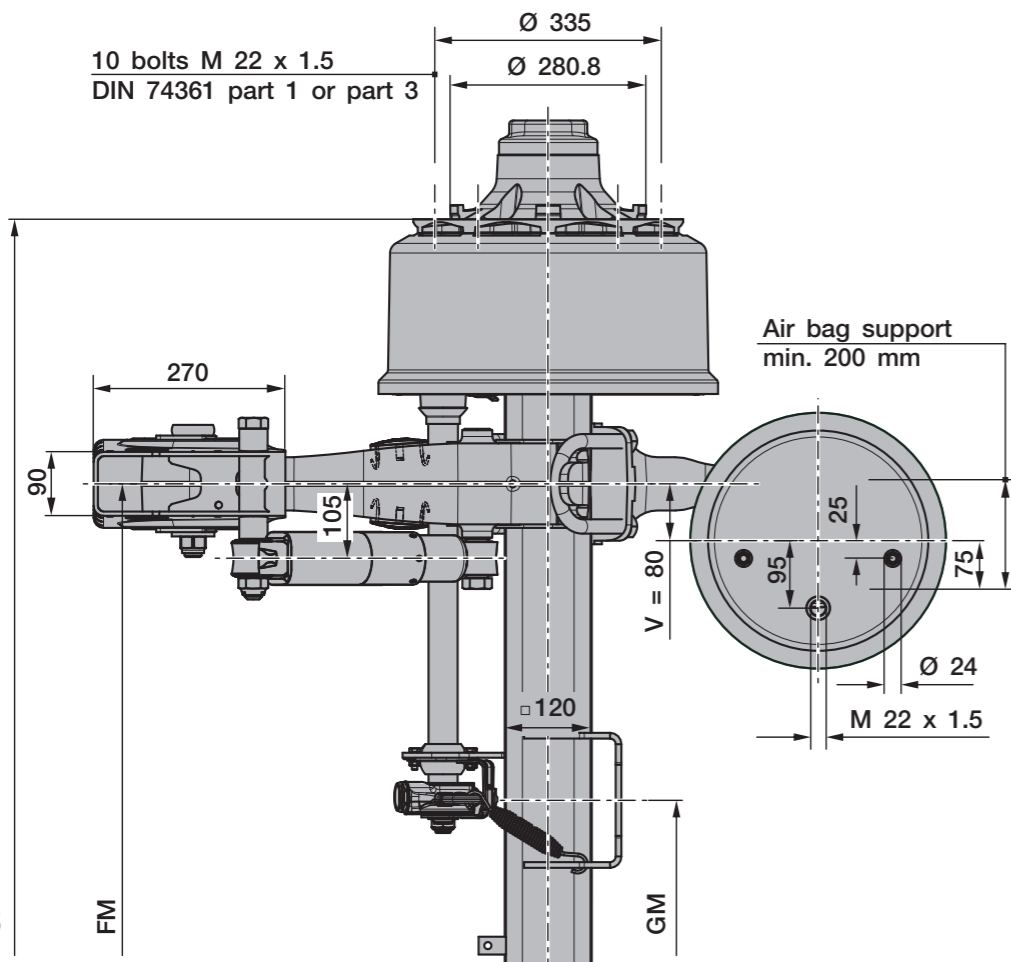
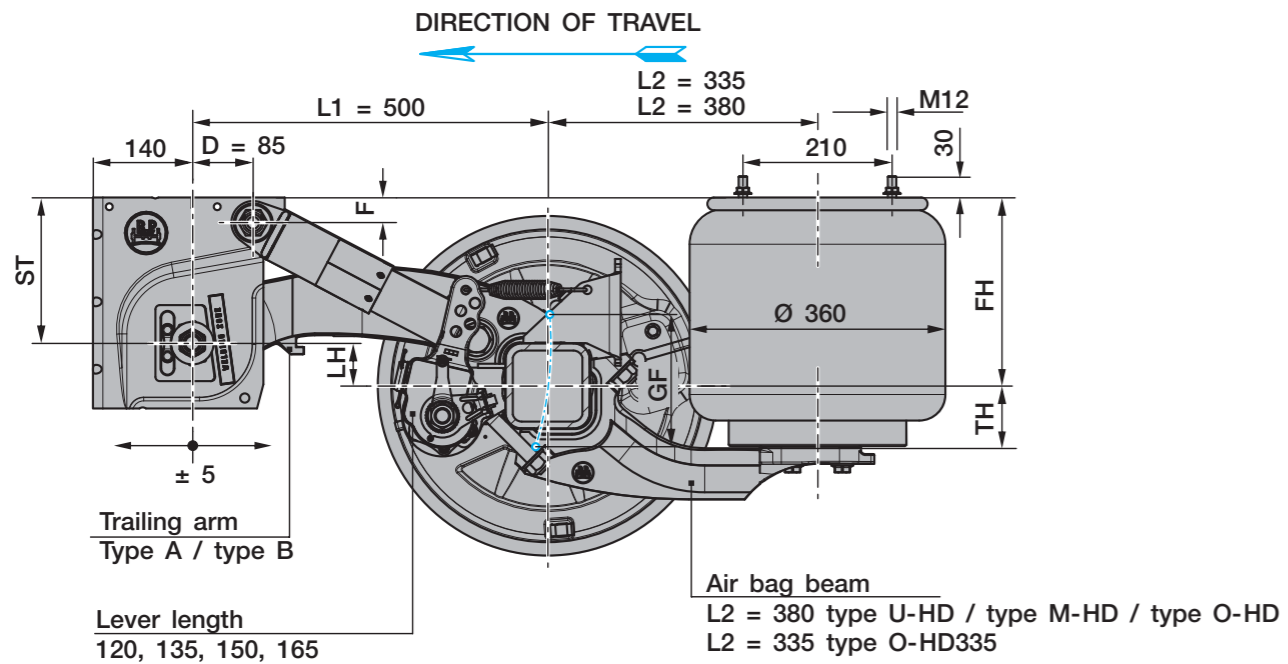
Example name SHBFACAU 9010 V36-1

SHBF	ACAU	9010	V	36-1
Axle type	Serie Air suspension	Axle type	Hanger bracket, adjustable	Air bag type

Rev. 0 (8) 04.08.2016

Subject to change without notice





Line	Serie AC..HD	adjustable ride height FH					Total spring travel GF <sup>1)</sup>	Air bag type BPW	Shock absorber 02.37....	Trailing arm		Air bag beam		Hanger bracket	
		for single axles	for axle units	min. FH with axle raised	empty without air	loaded without air				LH	Typ	TH	Typ	ST	F
1	AU	250-350	260-350	290	190	175	260	36-1 <sup>2)</sup>	..32.07.02	60	A-HD	155	U-HD	205	35
2	AM	290-350	300-350	330	230	215						85	M-HD		
3	BM	320-425	330-425	360	260	245			..32.08.02	130	B-HD	-10	O-HD	290	67
4	BO	375-425	385-425	415	315	300							O-HD335		
5	BO	410-510	420-510	450	350	335							O-HD335		

<sup>1)</sup> Lifting heights acc. to TD-1242.0

<sup>2)</sup> Stroke limiting is required in vehicles with a lifting and lowering device.

Axle type	Track SP	Spring centre FM	Booster bracket centre GM	Brake cylinder <sup>3)</sup>	Tyres recommended	Height of centre of gravity <sup>4)</sup>
HSF 9010	2040	1200	409	M / F	385/65 R22,5 385/55 R22,5	2500
	2095	1300	464			2700
	2140	1400	509			2850

<sup>3)</sup> M = diaphragm cylinder / F = spring brake cylinder

<sup>4)</sup> Calculation reference: 0.4 g acceleration at right angles, side tilt body approx. 3.5° without taking account the tipping limit and tyre damping

> Max. inclination angle of the semitrailer under full load and lowest adjustable ride height ±1°

> Bag pressures acc. to TE-1188.0 sheet 11

> The hanger brackets, air bag supports and the frame must be reinforced so that the forces applied can be absorbed. See the current BPW installation instructions.

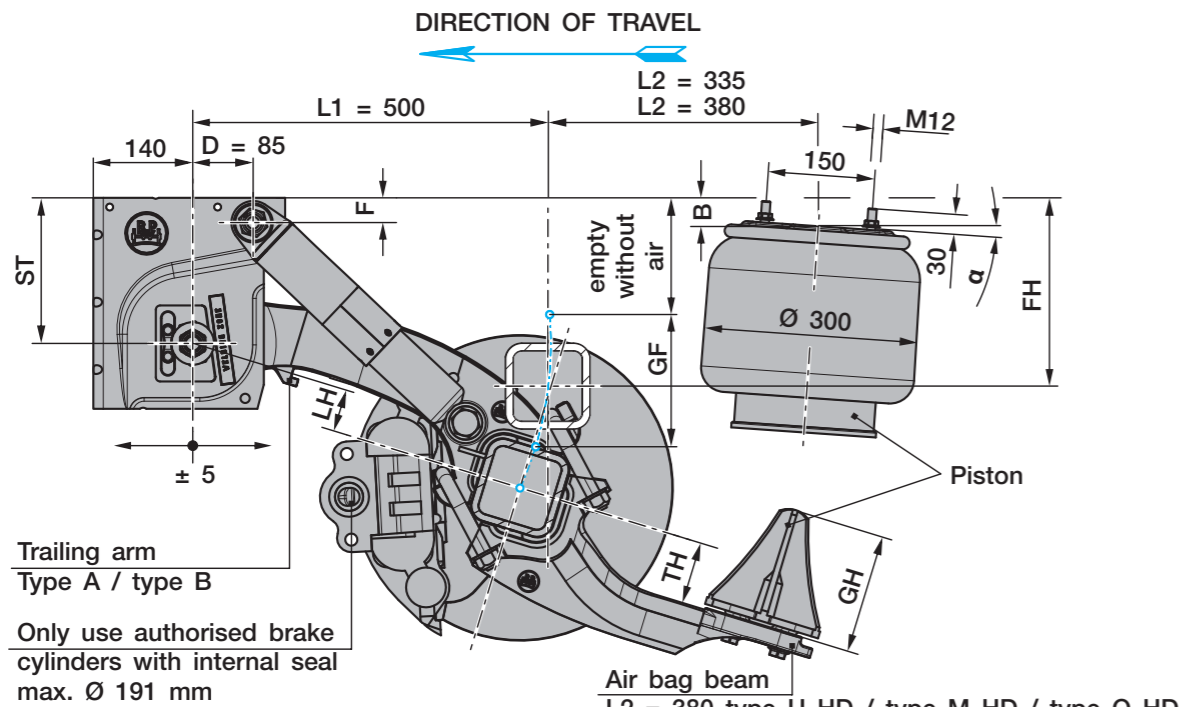
Example name HSFACAU 9010 V36-1

HSF	ACAU	9010	V	36-1
Axle type	Serie Air suspension	Axle type	Hanger bracket, adjustable	Air bag type

Rev. 0 (8) 04.08.2016

Subject to change without notice





Line	Serie AC..HD	adjustable ride height FH					Total spring travel GF <sup>1)</sup>	Combi Air bag		Shock absorber 02.37....	Trailing arm		Air bag beam		Hanger bracket		Packer <sup>2)</sup>		
		for single axles	for axle units	min. FH with axle raised	empty without air	loaded without air		05.429...	Piston height GH		LH	Typ	TH	Typ	ST	F	B	α	
1		210-260	220-260	250	150	135	190	..42.05.1	135	..32.05.02	60	A-HD	155	U-HD	205	35	0	4,5°	
2a	AU	240-290	250-290	280	180	165		..42.11.1	180		..32.07.02	130	B-HD	85	M-HD	290	67		0
3		270-320	280-320	310	210	195						60	A-HD			205	35		0
4	BM	300-350	310-350	340	240	225	180	..42.05.1	135	..32.08.02	130	B-HD	-10	O-HD O-HD335	290	67	40	0	
5	AM	330-370	340-370	370	270	255											0		
6		365-415	375-415	405	305	290											0		
7	BO	390-440	400-440	430	330	315	190	..42.11.1	180	..32.08.02	130	B-HD	-10	O-HD O-HD335	290	67	40	0	
8		415-465	425-465	455	355	340											40		
9		450-490	460-490	490	390	375											100		

<sup>1)</sup> Lifting heights acc. to TD-1242.0

<sup>2)</sup> The packer is not included in supplied package.

Axle type	Track SP	Spring centre FM	Tyres recommended	Height of centre of gravity <sup>3)</sup>
SHBF 9010	2040	1200	385/65 R22,5 385/55 R22,5	2500
	2095	1300		2700
	2140	1400		2850

<sup>3)</sup> Calculation reference: 0.4 g acceleration at right angles, side tilt body approx. 3.5° without taking account the tipping limit and tyre damping

- > Max. inclination angle of the semitrailer under full load and lowest adjustable ride height ±1°
- > Bag pressures acc. to TE-1188.0 sheet 15
- > The hanger brackets, air bag supports and the frame must be reinforced so that the forces applied can be absorbed. See the current BPW installation instructions.

Example name SHBFACAU 9010 VG30K

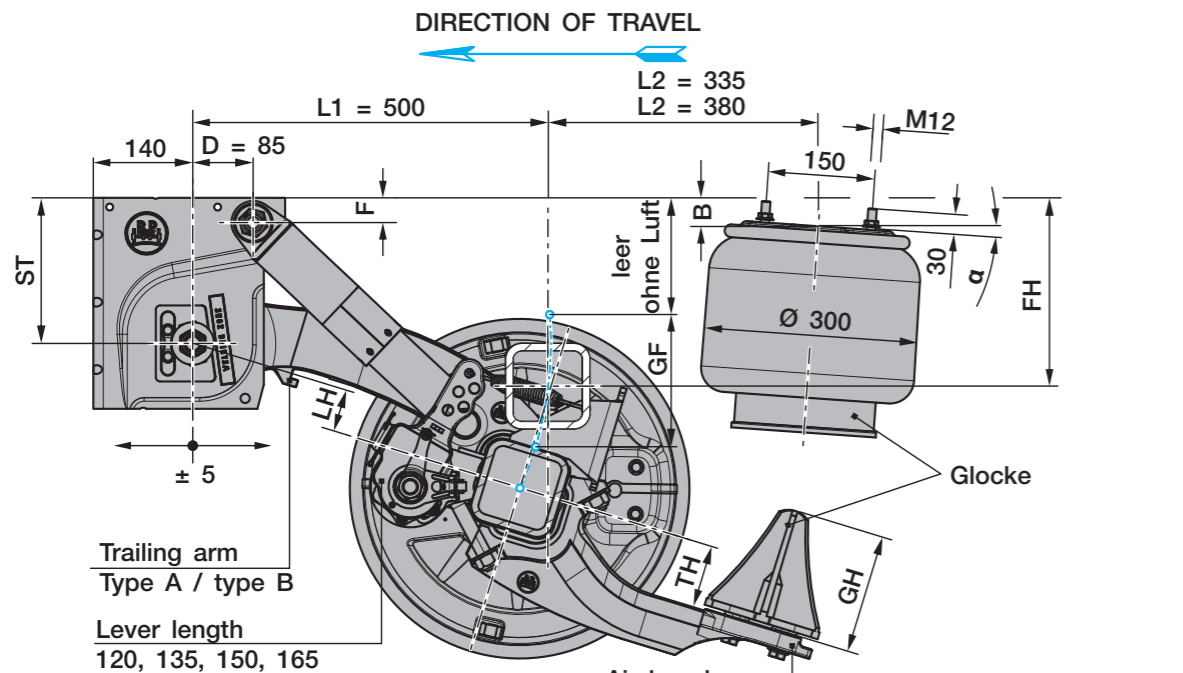
SHBF	ACAU	9010	V	G30K
Axle type	Serie Air suspension	Axle type	Hanger bracket, adjustable	Air bag type

Rev. 0 (8) 04.08.2016

Subject to change without notice







Line	Serie AC..HD	adjustable ride height FH					Gesamtfederweg GF <sup>1)</sup>	Combi Air bag		Shock absorber 02.37...	Trailing arm		Air bag beam		Hanger bracket		Packer <sup>2)</sup>	
		for single axles	for axle units	min. FH with axle raised	empty without air	loaded without air		05.429...	Piston height GH		LH	Typ	TH	Typ	ST	F	B	α
1		210-260	220-260	250	150	135	190	..42.05.1	135	..32.05.02	60	A-HD	155	U-HD	205	35	0	4,5°
2a	AU	240-290	250-290	280	180	165											55	
3		270-320	280-320	310	210	195											290	
4	BM	300-350	310-350	340	240	225	180	..42.11.1	180	..32.07.02	130	B-HD	85	M-HD	205	35	0	0
5	AM	330-370	340-370	370	270	255					60						A-HD	
6		365-415	375-415	405	305	290	190	..42.05.1	135	..32.08.02	130	B-HD	-10	O-HD O-HD335	290	67	0	0
7	BO	390-440	400-440	430	330	315											40	
8		415-465	425-465	455	355	340											40	
9		450-490	460-490	490	390	375	180	..42.11.1	180	..32.08.02	130	B-HD	-10	O-HD O-HD335	290	67	100	0

<sup>1)</sup> Lifting heights acc. to TD-1242.0  
<sup>2)</sup> The packer is not included in supplied package.

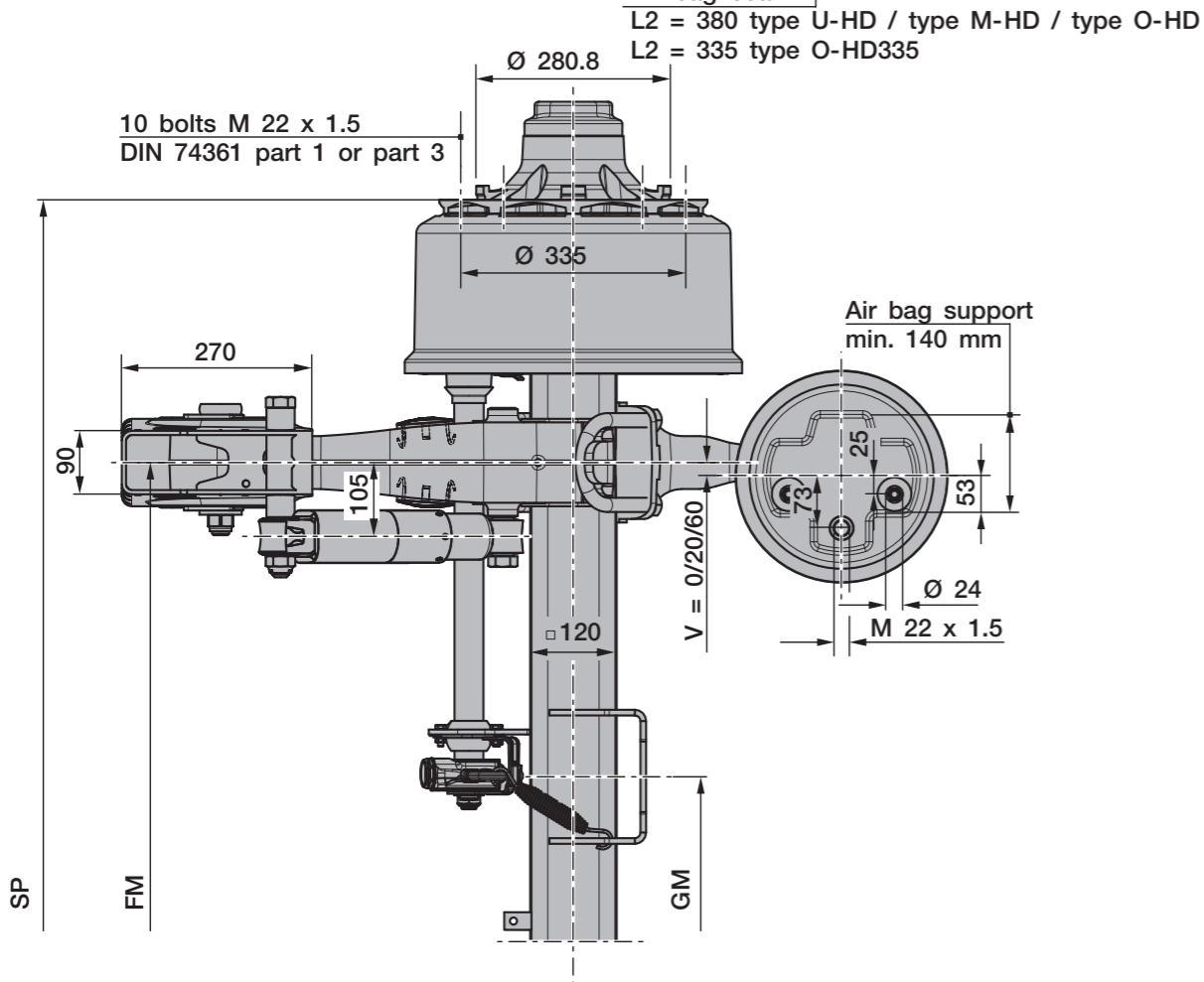
Axle type	Track SP	Spring centre FM	Booster bracket centre GM	Brake cylinder <sup>3)</sup>	Tyres recommended	Height of centre of gravity <sup>4)</sup>
HSF 9010	2040	1200	409	M / F	385/65 R22,5 385/55 R22,5	2500
	2095	1300	464			2700
	2140	1400	509			2850

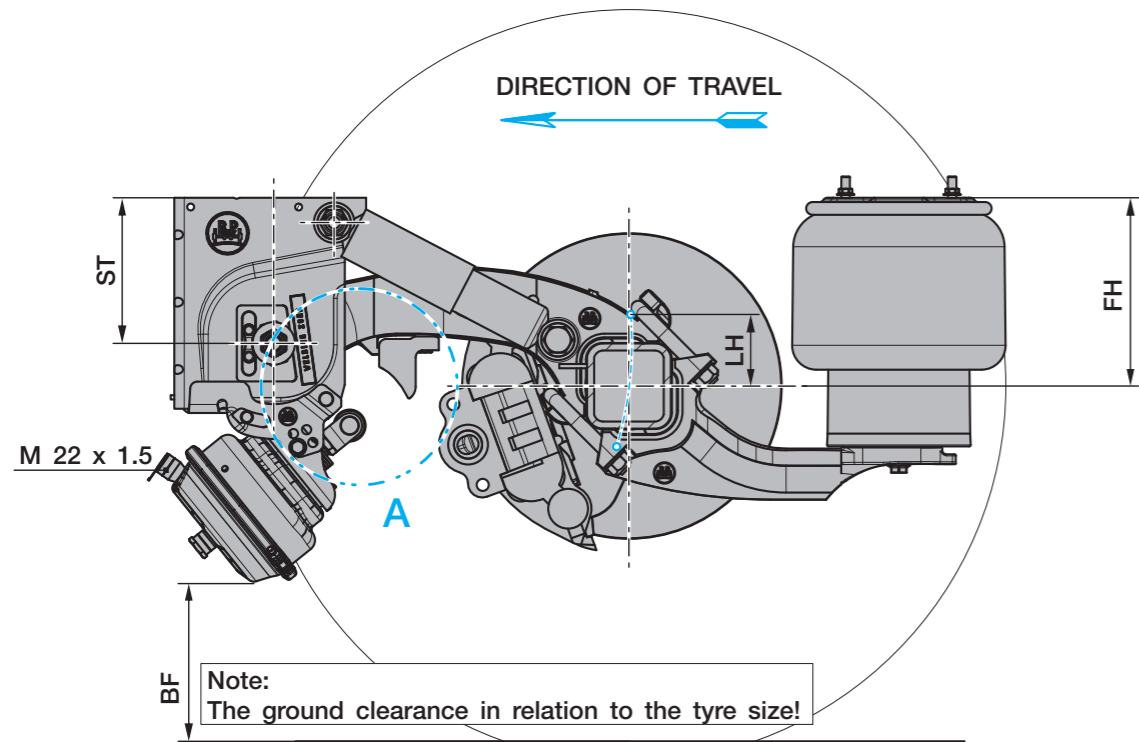
<sup>4)</sup> Calculation reference: 0.4 g acceleration at right angles, side tilt body approx. 3.5° without taking account the tipping limit and tyre damping

- > Max. inclination angle of the semitrailer under full load and lowest adjustable ride height ±1°
- > Bag pressures acc. to TE-1188.0 sheet 15
- > The hanger brackets, air bag supports and the frame must be reinforced so that the forces applied can be absorbed. See the current BPW installation instructions.

Example name HSFACAU 9010 VG30K

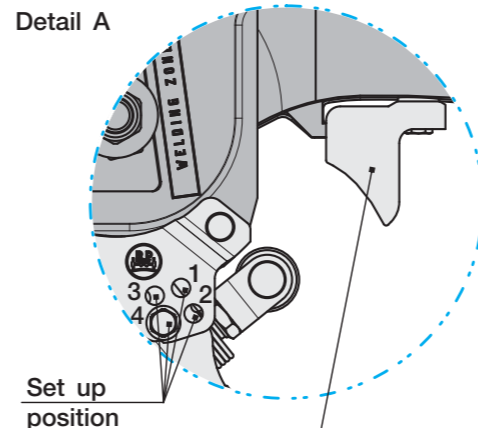
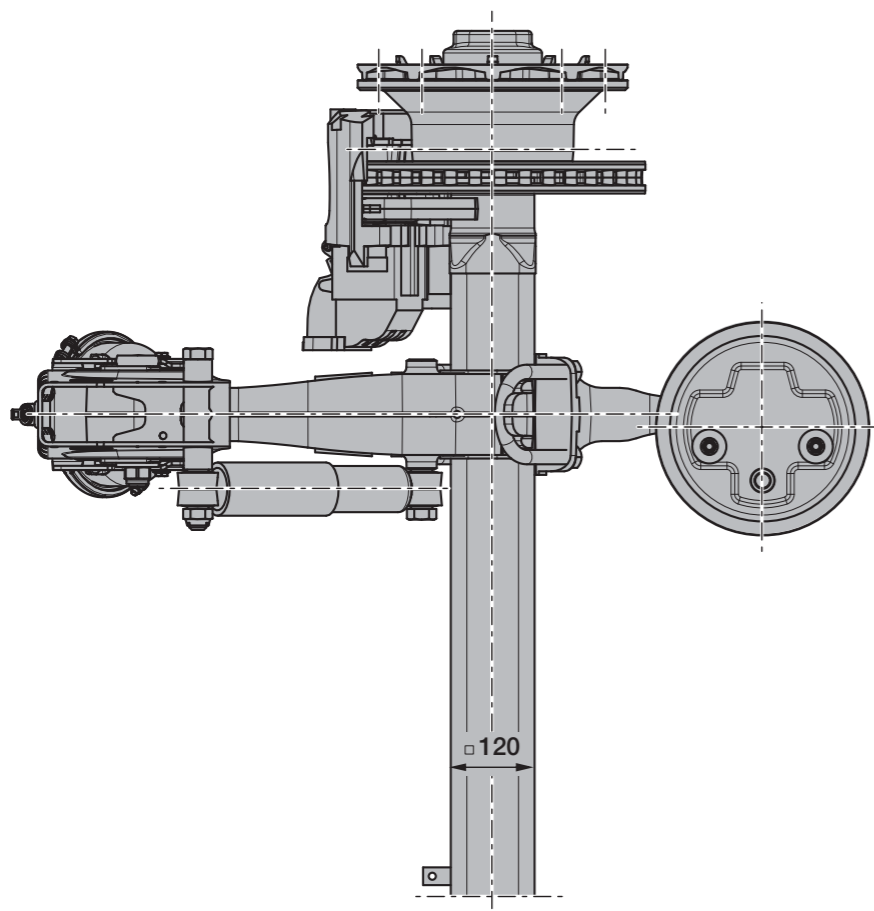
HSF	ACAU	9010	V	G30K
Axle type	Serie Air suspension	Axle type	Hanger bracket, adjustable	Air bag type





Suspension to drawing	adjustable ride height FH		min. Lifthub LH	Hanger bracket height ST	Ground clearance BF <sup>1)</sup>	Set up position Pos. <sup>2)</sup>	Axle lift kit 05.828...	
	for axle units	min. FH with axle raised						
Sheet 1a, 1b, 1c 4a, 4b, 4c	215-255	245	100	205	203	1	..32.05.0	
	245-305	275			230	2		
	255-295	285			240	2		
	285-345	315			270	3		
	310-370	340			295	2		
	340-380	370			325	2		
	370-425	400			356	4		
	400-460	430			300	2		..32.06.0
	425-485	455			325	3		
460-510	490	361		4				
Sheet 3a, 3b, 3c 6a, 6b, 6c	220-260	250		205	205	2	..32.05.0	
	250-290	280		290	183	1		
	280-320 <sup>3)</sup>	310		205	295	2		..32.06.0
	310-350	340		290	240	2	..32.05.0	
	340-370	370			278	1	..32.06.0	
	375-415	405			300	2		
	400-440	430			325	3		
	425-465	455			360	3		
	460-490	490						

<sup>1)</sup> Ground clearance in relation to the set minimum ride height with the axle raised.  
 \* Tyre: 385/65 R22,5 (r<sub>stat</sub> = 496)  
<sup>2)</sup> During fitting, pay attention to the set up position, see 04.00.540844.  
<sup>3)</sup> Because of the small amount of ground clearance, it might be necessary to check whether use of the two-side axle lift is possible, depending on the specific application.



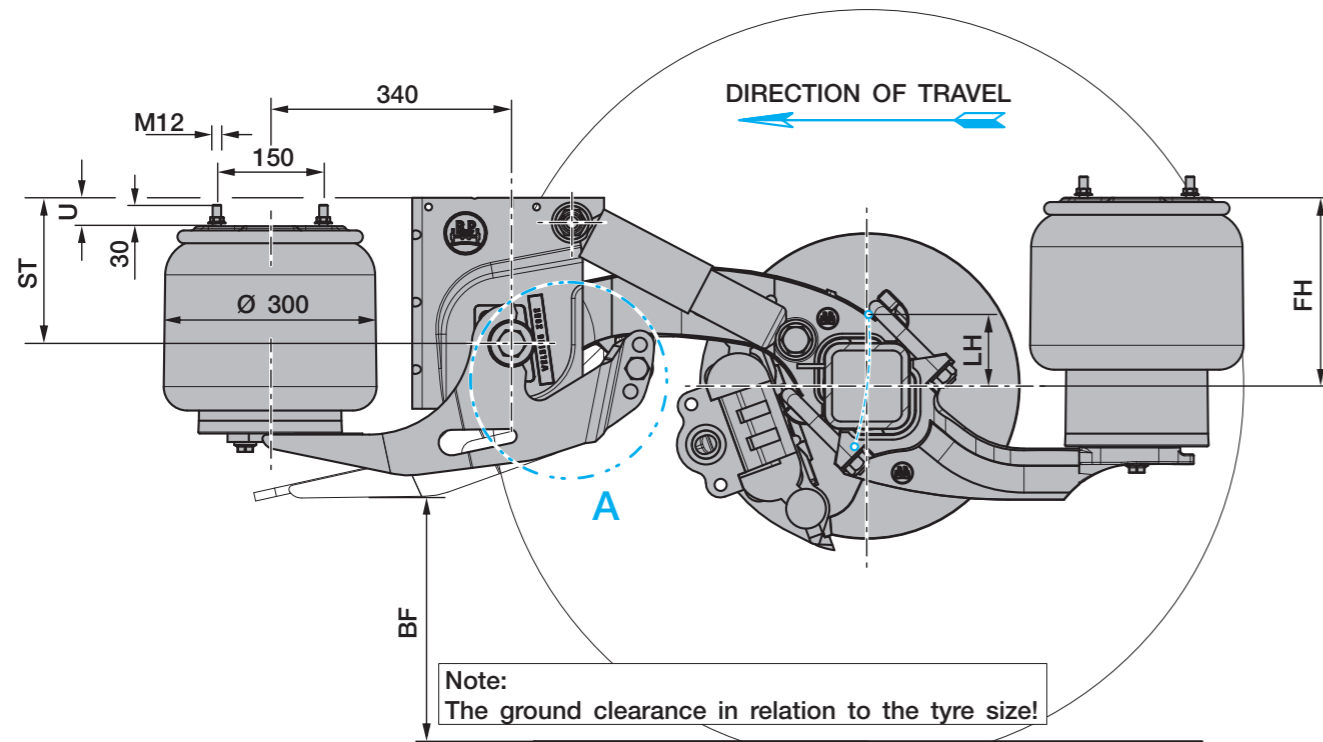
Shaped part  
 03.001.35.17.0 (Trailing arm type A / 60mm)  
 03.001.35.19.0 (Trailing arm type B / 130mm)

- In the lifting and lowering version, the total spring travel must be limited by a shut off valve.
- Minimum air pressure for lifting the axle approx. 6 bar.
- The hanger brackets, air bag supports and the frame must be reinforced so that the forces applied can be absorbed. See the current BPW installation instructions.

Example name SHBFACUA 9010 V30K

SHBF	ACAU	A	9010	V	30K
Axle type	Serie Air suspension	Achslift	Axle type	Hanger bracket, adjustable	Air bag type

Rev. 3 (B) 04.08.2016  
 Subject to change without notice



Note:  
The ground clearance in relation to the tyre size!

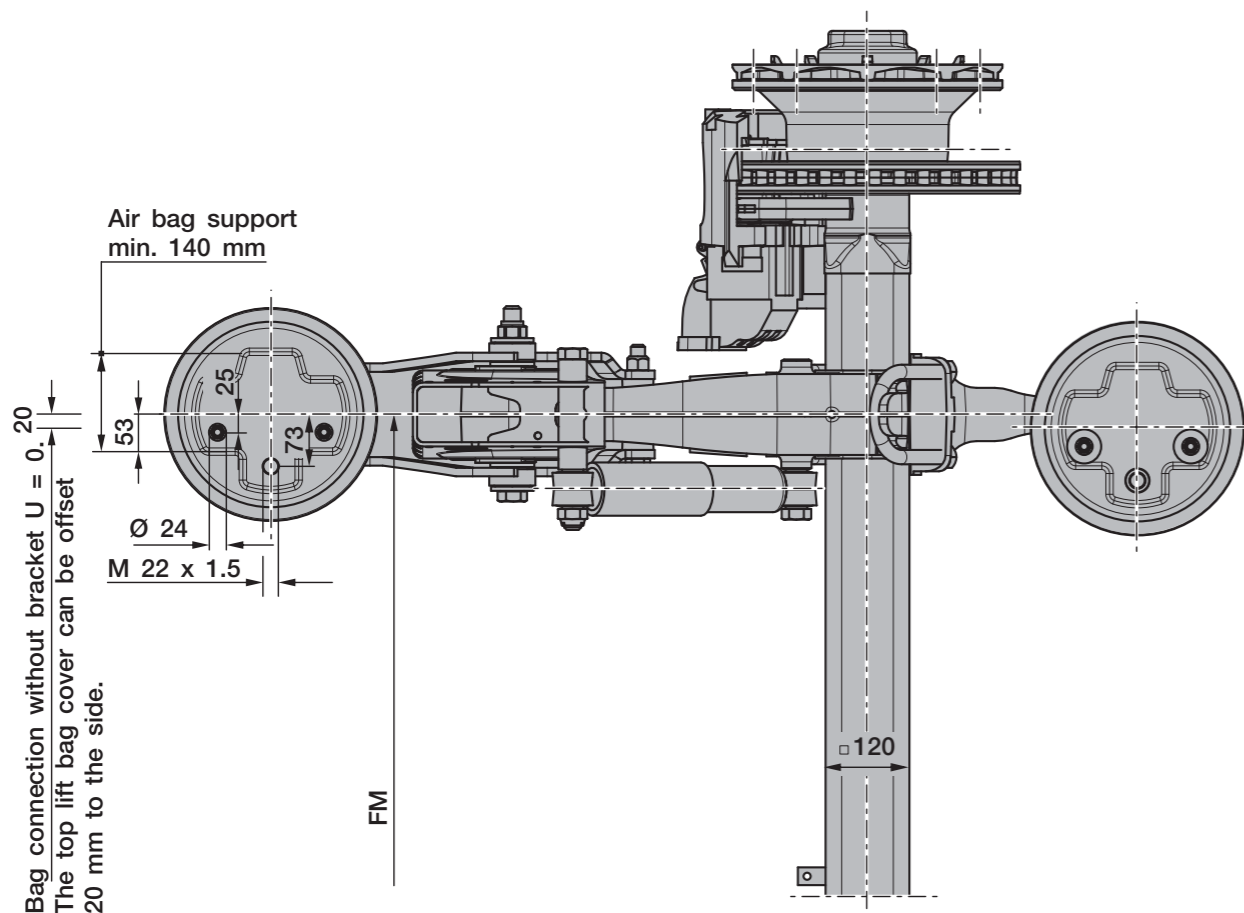
Suspension to drawing	adjustable ride height FH		min. Lifthub LH	Hanger bracket height ST	Ground clearance BF <sup>1)</sup>	Set up position Pos. <sup>2)</sup>	Axle lift kit 05.828...	Packer U
	for axle units	min. FH with axle raised						
Sheet 1a, 1b, 1c 4a, 4b, 4c	215-255	245	100	205	291	1	..32.07.0	0 <sup>3)</sup>
	245-305	275			338	1		0
	255-295	285			358	1		0
	285-345	315			243	2		0 <sup>3)</sup>
	310-370	340			364	2		0 <sup>3)</sup>
	340-380	370		411	2	0 <sup>3)</sup>		
	370-425	400		458	2	0		
	400-460	430		371	2	100		
	425-485	455		411	2	100		
Sheet 2a, 2b, 2c 5a, 5b, 5c	460-510	490	205	290	469	2	60	
	260-350	290			304	2	0	
	300-350	330			368	2	0	
	330-425	360		394	2	0		
	385-425	415		424	3	0		
	420-510	450		290	402	3	60	

<sup>1)</sup> Ground clearance in relation to the set minimum ride height with the axle raised.

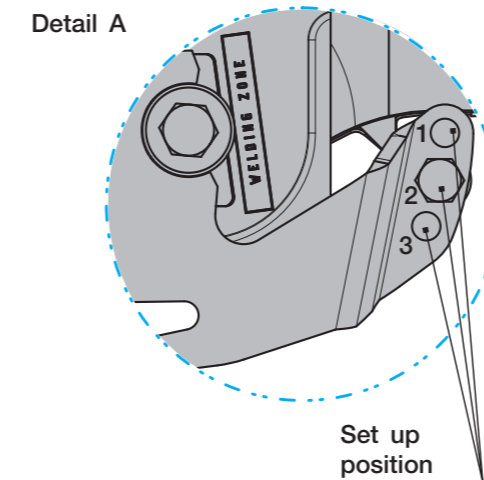
\* Tyre: 385/65 R22,5 (r<sub>stat</sub> = 496)

<sup>2)</sup> The packer is not included in supplied package.

<sup>3)</sup> A 40 mm tall packer is possible as an alternative, packer is not supplied.



Bag connection without bracket U = 0, 20  
The top lift bag cover can be offset 20 mm to the side.



- The air pressure for the lift bag must be limited to 5 bar at the reduction valve.
- The hanger brackets, air bag supports and the frame must be reinforced so that the forces applied can be absorbed. See the current BPW installation instructions.

Example name SHBFACUA 9010 V30K

SHBF	ACAU	A	9010	V	30K
Axle type	Serie Air suspension	Achslift	Axle type	Hanger bracket, adjustable	Air bag type

Rev. 2 (B) 04.08.2016

Subject to change without notice