



Driver & Vehicle
Standards
Agency

Individual Vehicle Approval (IVA) Manual for categories O1, O2, O3 and O4

(Trailers)



Driver and Vehicle Standards Agency©Crown copyright 2014.

You may re-use this information (not including logos) free of charge in any format or medium, under the terms of the Open Government Licence.

To view this licence, visit www.nationalarchives.gov.uk/doc/open-government-licence/ or write to the Information Policy Team, The National Archives, Kew, London TW9 4DU, or email: psi@nationalarchives.gsi.gov.uk

Any enquiries regarding this publication should be sent to us at enquiries@vosa.gov.uk.

This document is also available from the DVSA section of GOV.UK website at <https://www.gov.uk/vehicle-approval/overview>

Contents Page

Version Control	
Time bound concessions to required standards	
Foreword	
Non-European and Other Acceptable Standards	
01 / 02 Comparable Standards - IVA	
03B Rear Protective Devices (Under Run)	
04 Rear Registration Plate Space	
05 Steering Effort	
09 Braking	
18 Statutory Plates	
20 Installation of Lights	
21 Retro Reflectors	
22 End-outline, Position (Side), Stop and Side Marker Lamps	
23 Direction Indicators	
24 Rear Registration Lamps	
28 Rear Fog Lamps	
29 Reversing Lamps	
36 Heating Systems	
42 Lateral Protection System (Side Guards)	
43 Spray Suppression	
45 Safety Glass	
46 Tyres	
48A Masses and Dimensions	
48B Masses and Dimensions: Over-length AIL Trailers	
48C Masses and Dimensions: STGO over-width or over-width <i>and</i> over-length	
50A Couplings	
50B Couplings	
General Construction	
Glossary of Terms	

Version Control

Section Number	Section Title	Revision Date	Revision Number
	Version Control	29/10/2014	6
	Foreword	29/10/2014	6
	Non European and Other Acceptable Standards	29/10/2014	2
03B	Rear Protective Devices (Under Run)	29/10/2014	4
4	Rear Registration Plate Space	29/10/2014	5
5	Steering Effort	16/04/2009	1
9	Braking	29/10/2014	3
18	Statutory Plates	29/10/2014	6
20	Installation of Lights	29/10/2014	6
21	Retro Reflectors	29/10/2014	6
22	End-outline, Position (Side), Stop and Side Marker Lamps	29/10/2014	4
23	Direction Indicators	29/10/2014	3
24	Rear Registration Lamps	29/10/2014	3
28	Rear Fog Lamps	29/10/2013	3
29	Reversing Lamps	29/10/2014	4
36	Heating Systems	29/10/2013	2
42	Lateral Protection System (Side Guards)	29/10/2014	5
43	Spray Suppression	29/10/2014	4
45	Safety Glass	29/10/2013	4
46	Tyres	29/10/2014	3
48A	Masses and Dimensions	29/10/2014	6
48B	Masses and Dimensions: Over-length (AIL)	29/10/2014	1
48C	Masses and Dimensions: STGO – Over width or over length and width	29/10/2014	1
50A	Couplings	29/10/2013	4
50B	Couplings	28/02/2011	2
	General Construction	29/10/2012	3
	Glossary of Terms	29/10/2014	5

Time bound concessions to required standards

Section Number	Section Title	End Date	Details	Notes

Foreword

This Manual is a detailed guide to the inspection of trailers submitted to an authorised inspection site under the Individual Vehicle Approval (IVA) scheme.

It is produced for the examiners who carry out the inspections and for trailer presenters and other interested parties who wish to familiarise themselves with the technical requirements and inspection procedures.

Application

The IVA scheme is one of three routes for a road vehicle to gain approval and thereby obtain licensing and registration in UK.

The IVA route is open to vehicles falling under the following categories:

M1, M2, M3,
N1, N2, N3
O1, O2, O3, O4

This manual covers solely the IVA technical requirements for trailers of the following categories:

- O1,** Very Light Trailers, 0.75 Tonnes or less
- O2,** Light Trailer, Over 0.75 Tonnes up to 3.5 Tonnes
- O3** Medium Trailers, Over 3.5 Tonnes up to 10 Tonnes
- O4.** Heavy Trailers, Over 10 Tonnes

For information on other vehicle categories, the following DVSA IVA inspection manuals should be consulted.

- The Light Vehicle IVA Inspection Manual for vehicle category M1.
- The Light Goods Vehicle IVA Inspection Manual for vehicle category N1
- The Heavy vehicle IVA Inspection Manual for vehicle categories N2 and N3
- The Bus and Coach IVA Inspection Manual for vehicle categories M2 and M3

Obligatory Approval certificates.

The IVA scheme is one of three routes for a new trailer to gain approval and thereby be legal for entry into service in UK. The other two routes are: European Whole Vehicle Type Approval (ECWVTA), and National Small Series Type approval (NSSTA). Refer to the Road Vehicles (Approval) Regulations 2009 (SI 2009 No. 717) for more information.

Trailer entry into service

New procedures to control the entry into service for heavy trailers will apply from 29 October 2012. From this date all new heavy trailers will be required to hold a valid approval certificate under one of the three approval schemes before obtaining a consent from DVSA to enter into service on the road. As a general guide, all heavy trailers are subject to entry into service provisions if they are designed to carry goods, exceed 1020kg unladen weight and exceed 3500kg laden weight.

Most heavy trailers will also be subject to plating and testing unless they are deemed to be 'special purpose' or outside of the scope of plating and testing.

Trailers subject to annual test

For trailers that are currently subject to annual test, the trailer will need to be notified to DVSA **before** it is first placed on the road and used, and proof of a relevant approval certificate provided. (Although towing an unfinished trailer on the public road, to a place where the trailer will be finished, will be permitted, as long as no goods are carried).

Trailers not subject to annual test

For trailers not subject to annual test, from the applicable dates there will be a legal obligation on the **retailer** to keep a record of all the trailers that he has sold, which are sufficient to identify the trailer and which include details of the approval certificate (where applicable).

Approval Process

There is only one level of compliance to the IVA Approval process for trailers.

“Normal IVA Requirements” applies to Trailers.

The standards applicable are those given in each section of this manual, and apply to trailers submitted for inspection on or after 29th April 2009.

The onus is on the applicant to provide evidence of compliance. This can, for example, be in the form of manufacturer's markings on the trailer, documentary evidence from the competent authority in the country of origin or the manufacturer, submission of a test report from an accredited technical service, test house or a combination of such elements, and it may also include a degree of visual examination and practical tests. Applicants may be required to dismantle certain parts of the trailer to allow DVSA examiners to carry out a full and meaningful inspection.

Applications and supportive documentation will be assessed prior to the issue of an appointment for inspection by Technical Services Branch. Examination of the trailer will include verification checks to confirm as far as possible compliance with the required standards.

Scope of Inspection

The design and construction requirements applicable to road vehicles are contained within the Road Vehicles (Approval) Regulations 2009. The inspection procedures within this manual have been developed to assess as far as practicable the ability of the vehicle to comply with those Regulations. This manual is however not a legal interpretation of the Regulations. The issue of an Approval Certificate should not be taken as absolute evidence that the vehicle can legally be used on the road, since there may be other applicable requirements contained in other regulations.

Examiners are not required to carry out a roadworthiness inspection but where obvious safety defects are noted the trailer may be subject to prohibition action, The IVA certificate will not be issued and where applicable it may be indicated on the IVA 30 (refusal to issue a certificate) that a relevant section of the inspection was "Unable to be assessed fully" due to the condition of an item.

NOTE: The trailer will be assessed for compliance in all modes of operation (as required for normal road use), for example, in the case of a lifting axle, with the axle up and down, etc unless otherwise specified.

Method of Inspection

The examination will be limited to parts of the trailer which can be readily seen without dismantling. However, the driver might be required to open lockable compartments, remove covers, inspection/access panels, trims or carpeting, etc in order to gain access to items subject to examination.

The visual assessment of certain items e.g. overrun brake couplings (which in Type Approval undergo a physical test) might not always be sufficient to satisfy the examiners that the trailer complies with the requirements of the regulations. In such circumstances the onus is on the applicant to demonstrate that the trailer complies with the requirements of the regulations, for example, by the production of satisfactory test result documentation.

In some areas of the inspection, evidence that the trailer complies with the relevant criteria may be submitted in the form of documentation. This can, for example, be satisfactory evidence that the trailer complies with the relevant requirements of a European Directive

For any technical subject an appropriate type approval certificate or a test report from a recognised test house will be accepted as an alternative provided that the trailer can be identified as belonging to the type to which the documentation refers.

In certain cases calculations will be required to prove compliance. Where these are required they should be submitted with the application for verification prior to the inspection. Failure to produce these calculations may delay the inspection appointment being confirmed.

Use of this manual

The manual has been arranged in the same order as the Recast Framework Directive (RFD) from which the inspection criteria is derived. Each inspection area broadly covers the requirements that trailers must meet or exceed based upon the National IVA scheme.

General Construction is a section that does not explicitly exist in the RFD, rather it is implicit that unsafe trailers are not permitted to be approved.

Special Purpose Vehicles. (SPV)

Certain vehicles / trailers are classified as Special Purpose Vehicles. If built in a single stage they are given more time to comply with the new approval regime (see above) and they may be subject to additional exemptions from the required standards but only where the special function of the trailer makes it impossible to comply.

Trailer Caravans are considered to be Special Purpose but any applicants requesting exemption under Special Purpose Vehicle status for additional trailer types must at the time of application, submit to DVSA all vehicle specific documentary evidence supporting any such request.

Use of a suitable towing vehicle

All trailers presented for IVA Inspection must be accompanied by a suitable towing vehicle. The vehicle must be compatible with the type of trailer and so equipped to allow the operation of all lights and any braking fitted to the trailer. Its coupling must allow the trailer to be at its normal running attitude.

The use of verified air brake/suspension or lighting simulators in place of a towing vehicle at Privately Owned Test Facilities (POTFs) may be acceptable subject to prior agreement by DVSA.

Special Types General Order

The following special trailers that are regulated under Great Britain's legislation for *special* (including extra large) trailer types ("STGO") fall in scope of this manual:

A: Abnormal Indivisible Load (AIL) trailers – trailers that are designed to carry a bulky or heavy load that cannot be carried on regular trailers meeting the 'normal' regulations C&U and Authorised weight regulations.

	Normal size	Long (>12m*)	Wide (>2.55m) or both wide and long (>12m*)	Super-size: >6.1m wide, >30m long
Normal weight	P&T, C&U	P&T, C&U	STGO (Cat 1)	VSO
Cat 1 weights – 50T	P&T, STGO	P&T, STGO	STGO	VSO
Cat 2 – 80T	P&T, STGO	P&T, STGO	STGO %	VSO
Cat 3 – 150T	P&T, STGO	P&T, STGO	STGO %	VSO
Exceeds 150T	STGO	STGO	STGO %	VSO

P&T = Plating & Testing, C&U = Construction & Use

* - distance from king pin to rear: 12m for a semi-trailer/step frame trailer and 13.5m for a low loader.

% - exempt from Spray suppression

B: Road Recovery Vehicle (RRV) – an O4 trailer used to recover another vehicle, where the normal C&U limits are exceeded,

In addition, this manual covers one other category planned for inclusion in STGO which at present still require a Vehicle Special Order (VSO) to authorise each trailer:

C: Crane ballast trailers – trailers designed to carry the ballast required by mobile cranes. These are carrying a divisible load which is very heavy, but nevertheless are permitted in the interests of avoiding the need for two or more vehicles carrying ballast to follow the crane.

Refusal to examine

The examination of a trailer may be refused for any of the following reasons

- the trailer is not submitted for examination at the time and place appointed
- the fee has not been paid
- the trailer is presented in a dirty or dangerous condition such as to make it unreasonable for the examination to be carried out
- a load or items on the trailer are not secured or removed as requested
- a proper examination cannot be carried out because any door or other device designed to be readily opened cannot be opened
- the condition of the trailer (in the opinion of the examiner) is such that proper examination of the trailer would involve a danger of injury to any person or damage to the trailer or any other property
- there was no means of identifying the trailer, i.e. the trailer identification number was missing or did not relate to the trailer
- the driver does not remain with the trailer or in its vicinity and operate the controls, manoeuvre the trailer or to remove/refit panels as requested to allow a meaningful examination of the trailer.
- Unsuitable towing vehicle

Summarised Table of requirements for Trailers							
IVA Item Number	Directive Requirement	As amended by	UNECE Regulation	O1	O2	O3	O4
3B Rear Under-run	70/221/EEC	2006/20/EC	58.01			Approval & Ins	Approval & Ins
4 Reg plate space	70/222/EEC		34.02 & 58.01	Inspection	Inspection	Inspection	Inspection
5 Steering effort	70/311/EEC	1999/7/EC	79.01	Inspection	Inspection	Approval	Approval
9 Braking	71/320/EEC	98/12/EC	13.08 / 13H	Approval	Approval	Approval	Approval
18 Statutory Plates	76/114/EEC	78/507/EEC.		Inspection	Inspection	Inspection	Inspection
20 Installation of lights			48.03	Inspection	Inspection	Inspection	Inspection
21 Retro reflectors	76/757/EEC	97/29/EC	3.02	Inspection	Inspection	Inspection	Inspection
22 Side & stop lights	76/758/EEC	97/30/EC	7.02 / 87.00 / 91.00	Inspection	Inspection	Inspection	Inspection
23 Direction indicators	76/759/EEC	99/15/EC	6.01	Inspection	Inspection	Inspection	Inspection
24 Rear Reg lamp light	76/760/EEC	97/31/EC	4.00	Inspection	Inspection	Inspection	Inspection
28 Rear Fog lights	77/538/EEC	99/14/EC	38.00	Inspection	Inspection	Inspection	Inspection
29 Reverse lamps	77/539/EEC	97/32/EC	23.00	Inspection	Inspection	Inspection	Inspection
36 Heater systems	2001/56/EC	2006/119/EC	122.00	Inspection	Inspection	Inspection	Inspection
42 Side Guards	89/297/EEC		73.00			Inspection	Inspection
43 Spray Suppression	91/226/EEC					Inspection	Inspection
45 Safety glass			43.00	Inspection	Inspection	Inspection	Inspection
46 Tyres	92/23/EEC	2005/11/EC		Inspection	Inspection	Inspection	Inspection
48 Masses & Dimensions	97/27/EC	2003/19/EC		Inspection	Inspection	Inspection	Inspection
50 Couplings	94/20/EC		55.01	Inspection	Inspection	Inspection	Inspection

Record of Revision

Revision	Date	Description of Change
1	16/04/2009	
2	28/02/2011	Add new text to foreword
3	30/04/2012	Add the use of verified brake/suspension/lighting simulators at POTFs, add SPV details
4	08/04/2013	Remove boat trailer from list of SPVs on page 4
5	29/10/2013	Amend paragraph 4 on page 3, revise list of Special Purpose vehicles and amend bullet point 8 on page 5 remove reference to UNECE Reg. 107.2 from Section 48 in table of Regs & Directives
6	29/10/2014	DVSA replaces VOSA, STGO information added

Non-European and Other Acceptable Standards

Evidence that a trailer complies with the standards in the table will be accepted instead of compliance with the relevant IVA requirements, where evidence is provided physical inspection is not required unless there is evidence of modifications. This does not necessarily mean that these standards are equivalent to the IVA requirements but they do guarantee a suitably high level of safety.

Mass-Produced trailers from USA or Canada.

To prove compliance with the listed standards, these trailers must be fitted with a Compliance plate which will contain the name of manufacturer, 17 digit VIN number, gross weights for trailer & axle(s) and the following:

For FMVSS. *'This vehicle conforms to all applicable Federal Motor Vehicle Safety Standards in effect on the date of manufacture shown above'*.

For CMVSS: The plate will contain bilingual text (English/French) and a Transport Canada maple leaf containing a number



Such trailers will be exempt from inspection in respect to certain sections of the manual. However in the case of modified trailers, modifications to the trailer may have invalidated the original compliance and so enquiries will need to be made of the converter, in particular whether any increase in maximum permissible weights is technically justifiable and whether the brakes have likewise been uprated

Mass produced trailers from other territories: DVSA will update this manual from time to time with the latest information.

Non-European and Other Acceptable Standards

O1 / O2 Comparable Standards - IVA			
Section No.	Subject Area	United States (U)	Canada (C)
45	Glass	FMVSS 205 (U1)	CMVSS 205 (C1)
46	Tyres	FMVSS 109 (U2)	CMVSS 110 (C3)
		FMVSS 110 (U3)	CMVSS 119/120
		FMVSS 119/120	CMVSS 139
		FMVSS 139	

This information is provided for guidance only and DVSA retains the right to test the vehicle against the IVA requirements if they have any reason to doubt compliance with the indicated standard.

(U) FMVSS = Federal Motor Vehicle Safety Standards

(C) CMVSS = Canadian Motor Vehicle Safety Standards

(U1) and (C1) Glass bearing the following marking complies with FMVSS 205 and CMVSS 205

- in the case of windows in a trailer caravan – AS1, AS2, AS3, AS10, AS11A, AS14, AS15, AS16.

(U2) Tyre speed capability may not be sufficient. It must be no less than the towing design speed.

(U3) and (C3) Non-pneumatic spare tyres are illegal for use in Great Britain.

Non-European and Other Acceptable Standards

Record of Revision

Revision	Date	Description of Change
1	29/10/2012	
2	29/10/2014	DVSA replaces VOSA

Non-European and Other Acceptable Standards

This page intentionally left blank

03B Rear Protective Devices (Under Run)

Application: All Trailers of category O3 and O4

Method of Inspection		Required Standard
Exempt Trailers :		<p>Approval</p> <ol style="list-style-type: none"> The trailer as presented must be accompanied by satisfactory evidence of compliance regarding the protective system (see note1) Separate devices must be correctly marked and be as specified in the approval / test report or calculation documents. <p>Installation check (see note 1)</p> <ol style="list-style-type: none"> Where a separate device is fitted it must be fitted as per manufacturer's instructions. The lower edge of the rear under-run must at no point be more than 550mm above the ground. The width of the rear under-run must not extend beyond the width of the rear axle. (see notes 2 and 3) The width of the rear under-run must extend to within 100mm of the width of the rear axle on either side (see notes 2 and 3) The rear under-run criteria must be met as close to the rear of the trailer as possible The section height of the rear under-run must not be less than 100mm
Trailer type	Exemption Provided	
Trailers designed to carry timber, beams or girders of exceptional length	'Slung' trailers and other similar trailers for the transport of logs or other very long items, are exempt.	
Vehicle transporters (trailers designed to carry other vehicles loaded onto it from the rear)	Exempt if the platform upper edge is lower than 550 mm	
Concrete pumping trailers*	Exempt if the operation of equipment is compromised by the fitment of an underrun	
Skip loaders, including hook lifts	Exempt if the operation of equipment is compromised by the fitment of an underrun OR the upper edge of the loading platform is lower than 550mm	
Gritter (vehicle fitted at the rear with apparatus for spreading material on a road)	Exempt	
Highways Surface/Geological survey trailers	Exempt where fitment of devices would interfere with the operation equipment	
Trailers (including STGO) for which rear under-run protection is incompatible with their use are exempt. (evidence may be required)		
*In cases where it is impracticable to comply with the full requirements the protection device will be mounted as close to the rear as possible.		

Rear Protective Devices (Under Run) 03B

Method of Inspection	Required Standard
<p>Ensure the trailer or device as presented is accompanied by satisfactory evidence in the form of:</p> <ul style="list-style-type: none"> • a type approval <p>(If a valid trailer approval relating to the trailer in its finished un modified state is provided the installation check is not required)</p> <p>or</p> <ul style="list-style-type: none"> • a test report witnessed by a Approval Authority • a test report issued by a Approved Technical Service • evidence that calculations were provided at the time of application to the satisfaction of the Approval Authority. <p>And in these cases an Installation check is required</p> <p>Note 1: Evidence may be for a trailer, a separate device or that the rear of the trailer is so designed as to perform the same function. Where the rear body is so designed the Installation Inspection as appropriate relates to the structure forming the rear of the trailer.</p> <p>Note 2: The width of the rear axle is measured at the outermost points of the wheels including the tyres (excluding any tyre bulging close to the ground). Where more than one rear axle is fitted the width used is that of the widest axle</p> <p>Note 3: Where the rear under-run is combined with a tail lift the lift structure may extend beyond the width of the rear axle to the width of the body, the requirements for the rear under run will be considered to be met providing the “device” meets all other dimensions up to the width of the rear axle.</p>	<ol style="list-style-type: none"> 9. The outer ends of the rear under-run must be rounded on the outside and have a radius of curvature of not less than 2.5mm. 10. Rear under run must be securely attached to the rear of the trailer 11. Rear under-run mountings must clearly be of adequate strength to perform their function. 12. In the case of a movable rear under-run, the device must be able to be securely locked into the service position. 13. In the case of a movable rear under-run, the locking mechanism must be clearly of adequate strength to enable the device to perform its function <p>Where platform lifts are incorporated into the under-run</p> <ol style="list-style-type: none"> 14. The lateral distance between working elements of the lift and fixed elements of rear under-run must be a maximum of 25mm 15. Each individual section of the rear under-run-must have a rear facing surface area of at least 350cm²

Record of Revision

Revision	Date	Description of Change
1	16/04/2009	
2	28/02/2011	Add exemptions
3	30/04/2012	Modify exemptions
4	29/10/2014	Add STGO to the exemptions

Rear Protective Devices (Under Run) 03B

This page intentionally left blank

04 Rear Registration Plate Space

Application: All Trailers

Method of Inspection	Required Standard												
<p>All trailers must have a suitable place to mount a rear registration plate.</p> <p>Trailers which are approved to Directive 70/222/EEC will not require an inspection to this section, providing the trailer has not been modified.</p> <p>Note 1: + 20° is with the plate angled in at the top, - 15° is with the plate angled in at the bottom</p> <p>Note 2: A plate hanging from the trailer with no structure or support brackets behind it would be considered unacceptable</p> <p>Note 3: With an “IVA Test” plate of the required size placed onto the space provided, check that it is visible and that the whole of the shaded portion (yellow on DVSA supplied equipment) can be easily seen from a height of 1.5m from all points along a 21.5m line on the ground placed at 10.75m (centralised to the centre of the available rear reg. plate space) behind and parallel to the rear of the trailer.</p> <p>Note 4: Euro space dimensions taken from directive 70/220/EEC</p> <p>Minor intrusions up to 5mm by mounting channels / retaining lugs into the shaded area will be permitted. These hold the plate in place along its edges but will still allow the registration mark to be displayed.</p>	<ol style="list-style-type: none"> 1. All trailers must comply with one of the “options” listed in table 1. 2. The space must permit the mounting of a plate in a position as close to vertical (+ 20° or - 15°) as is permitted by the trailer structure available. (see Note 1) 3. An external body surface or a purpose-designed mounting system securely attached to the trailer must be provided to hold the plate in a fixed position. (see note 2) 4. The whole of the shaded portion of the “IVA Test plate must be capable of being easily seen from every point along the test line. (see note 3) <p>Table 1</p> <table border="1" style="width: 100%; border-collapse: collapse; margin-top: 10px;"> <thead> <tr style="background-color: #e0e0e0;"> <th style="width: 20%;"></th> <th style="width: 20%;"></th> <th style="width: 20%;">Width</th> <th style="width: 20%;">Height</th> </tr> </thead> <tbody> <tr> <td style="text-align: center;">Euro space (see note 4)</td> <td style="text-align: center;">Option 1</td> <td style="text-align: center;">520</td> <td style="text-align: center;">120</td> </tr> <tr> <td></td> <td style="text-align: center;">Option 2</td> <td style="text-align: center;">340</td> <td style="text-align: center;">240</td> </tr> </tbody> </table>			Width	Height	Euro space (see note 4)	Option 1	520	120		Option 2	340	240
		Width	Height										
Euro space (see note 4)	Option 1	520	120										
	Option 2	340	240										

Rear Registration Plate Space 04

Record of Revision

Revision	Date	Description of Change
1	16/04/2009	
2	28/02/2011	Re order notes and link to Required Standards
3	30/04/2012	Remove the term 'Yellow' and replace with shaded
4	29/10/2012	Amend Note 3
5	29/10/2014	DVSA replaces VOSA, note 4 added

05 Steering Effort

Application: All Trailers of category O3 and O4 if fitted with steered axles

Method of Inspection	Required Standard
Ensure the trailer has satisfactory evidence of compliance to the required standard	<ol style="list-style-type: none"><li data-bbox="1196 424 2063 517">1. The trailer as presented must be accompanied by satisfactory evidence of compliance with the required standard for Steering Effort

Record of Revision

Revision	Date	Description of Change
1	16/04/2009	

09 Braking

Application: All Trailers of category O2, O3 and O4 (O1 if equipped with a braking system)

Method of Inspection	Required Standard
<p>Ensure that the trailer as presented has satisfactory evidence of compliance to the required standard</p> <p>Note 1: Vehicles subject to both P&T and STGO (dual use) will require evidence of compliance for P&T weights, and evidence of compliance for the higher weights of STGO. The latter should be in the form of a Model Report based on calculations, as track testing above normal weights is not required..</p> <p>Note 2: Vehicles solely for STGO use will be required to provide evidence of compliance to the requirements via documentary evidence. This should be in the form of a Model Report based on calculations as track testing above normal weights is not required.</p> <p>O2 trailers and O1 trailers equipped with a braking system</p> <p>Check that a test report for the foundation brake, the coupling, and a compatibility report are provided</p> <p>Check that a breakaway cable is fitted to all trailers and is fitted with an attachment device such as a snap clip, carabena or shackle.</p> <p>Note 3: The braking systems shall be such that the trailer is stopped automatically if the coupling separates while the trailer is in motion. However, this requirement does not apply to trailers with a maximum mass not exceeding 1,5 metric tons provided that the trailers are fitted, in addition to the main coupling, with a secondary coupling</p>	<ol style="list-style-type: none"> 1. The trailer as presented must be accompanied by satisfactory evidence of compliance with the required standard for "Braking". (see notes 1 & 2) <p>O2 trailers and O1 trailers equipped with a braking system</p> <ol style="list-style-type: none"> 2. Any cable used for brake transmission must be sheathed 3. A breakaway cable must be fitted to the trailer if over 1500kg (see note 3) 4. A breakaway cable must be able to apply the trailer brakes in the event of detachment. 5. The breakaway cable must be fitted with an attachment device that enables the cable to be fitted to any suitable drawing vehicle. 6. A breakaway cable must be fitted with a guide to ensure that the brake is applied with the trailer at any towing angle in the event of detachment 7. A parking brake lever must have unobstructed movement throughout its full travel

Braking 09

Record of Revision

Revision	Date	Description of Change
1	16/04/2009	
2	29/10/2013	Insert new RS2 & RS7
3	29/10/2014	Add New Notes 1 and 2 – Link to RS1, old note 1 becomes note 3

18 Statutory Plates

Application: All Trailers

Method of Inspection	Required Standard
<p>Check that the manufacturer's plate (in the case of a multistage build, one for each stage) complies with the Required Standards.</p> <p>Check the trailer is provided with a compliant permanently marked Trailer Identification number on the chassis</p> <p>The manufacturer may give additional information. A type approval number or stage of build may be listed below the manufacturer's name. Any other information must be outside a clearly marked rectangle which shall enclose only the mentioned information.</p> <p>If any of the technically permissible masses are higher than the masses permitted in GB and NI for a trailer or axle (see Annex 1 for details of the maximum masses permitted in GB and NI), then there should be 2 columns for masses - in the left hand column the maximum permitted mass in GB/NI, and in the right hand column, the technically permissible mass. This does not apply to a trailer issued with a Plating certificate under the Goods Vehicles (Plating and Testing) Regulations 1988 where only one column, giving the technically permissible masses, is permitted. (See Section 48 Masses and Dimensions for requirements for a plating certificate).</p> <p>The identification number of the base trailer (TIN) prescribed by Directive 76/114/EEC shall be retained during all the subsequent stages of the type-approval process to ensure the 'traceability' of the process.</p>	<ol style="list-style-type: none"> 1. The trailer must be fitted with a manufacturer's plate in a conspicuous and readily accessible position 2. A manufacturer's plate must be fitted for each stage of a multistage build. 3. The manufacturer's plate(s) must be made of a durable material 4. The manufacturer's plate must be securely attached to a part of the trailer that will not be replaced through normal use. (See note 1) 5. The manufacturer's plate(s) must be indelibly marked with the Trailer Identification Number (TIN) which matches the number marked into the trailer structure. (See note 3) 6. The manufacturer's plate(s) must show the following required information in the correct order inside a clearly marked rectangle:- (See notes 2, 3, 4, 5 & 9) <ul style="list-style-type: none"> • Name of manufacturer • Approval No. and/or Build Stage No. (if available) • Trailer Identification Number • Maximum permitted laden mass of trailer • Maximum permitted laden road mass for each axle, listed in order from front to rear • In the case of a semi trailer, the maximum permitted mass on the fifth wheel kingpin.

Statutory Plates 18

Method of Inspection	Required Standard
<p>However, at the final stage of completion, the manufacturer concerned by this stage may replace, in agreement with the approval authority, the first and second sections of the trailer identification number with his own vehicle/trailer manufacturer code and the trailer identification code if, and only if, the trailer has to be registered under his own trade name. In such a case, the complete trailer identification number of the base vehicle must not be deleted.</p> <p>Note 1:- 'Securely attached' means screwed, bolted, riveted or otherwise fixed such that it is not likely to become displaced during the life of the trailer.</p> <p>Note 2: Where the trailer is subject to a multistage build, a plate is required on completion of each stage as appropriate; every plate fitted must display the same Trailer Identification number (Chassis number) as displayed on the chassis. The weight information is only necessary on the chassis manufacturer's plate or on a converters plate if they have altered those weights with any modification.</p> <p>Note 3:- For markings to be considered 'indelible' they should be unlikely to become disfigured or obliterated during the life of the trailer. Whilst stamping or engraving is preferable it is possible to accept a printed or painted plate providing it has been treated in such a way that it is most unlikely that essential information would be obliterated or defaced during the normal life of the trailer.</p> <p>Note 4: It is acceptable if the maximum mass on the fifth wheel kingpin is listed above the mass of the first axle.</p> <p>Note 5: The spacing of characters must be such that no additional characters could be added at a later date.</p>	<p>And in the case of O1 trailers, followed by the year of manufacture (optional for other categories)</p> <p>Trailers exceeding the normal length or width (see Section 48B and 48C)</p> <ol style="list-style-type: none"> 7. The manufacturers plate must also show the following text "Designed to carry AIL of exceptional length" 8. The manufacturers plate must also show the following text "Over-width trailer – for STGO use only". <p>Optional Dimension Plate</p> <ol style="list-style-type: none"> 9. Where fitted; a second plate must be fitted next to the manufacturer's plate and must contain the dimensions listed below, (see notes 5, 6, 7 & 10) <ul style="list-style-type: none"> • name of the manufacturer; • trailer identification number; • length of the trailer "body" (L); • width of the trailer (W); • data for the measurement of the length of vehicle combinations: <ol style="list-style-type: none"> i. the distance (#) between the centre of the coupling device of the trailer (semi-trailer kingpin) and the rear of the trailer; in the case of a device with several coupling points, the minimum and maximum values must be given (# min and # max). 10. The TIN on the manufacturer's plate must be marked in characters at least 4mm high. 11. The characters on the manufacturer's plate (with the exception of the TIN) must be at least 2 mm high.

Statutory Plates 18

Method of Inspection	Required Standard
<p>Note 6: Alternatively this data can be contained within the manufacturer's plate and in the case of a trailer requiring a Plating certificate the second plate is not required.</p> <p>Note 7: Not required if the dimension information is contained on the manufacturer's plate</p> <p>Note 8: Major manufacturers for technical reasons, may mark the number on two lines. However, in this case no section may be divided between the two lines. (First section would be 3 characters in length, second section would be 6 characters in length and the last section would be 8 characters in length)</p> <p>. The beginning and end of each line must be indicated by a symbol which is neither an Arabic numeral nor a roman capital letter, and which can not be confused with either, these symbols are not required if the T.I.N on the manufacturer's plate is marked in a single line</p> <p>Note 9: The maximum mass (T) on each axle group may be included within the rectangle</p> <p>Note 10: Categories O1 & O2 – dimension plate only required to be displayed on trailers, while in use, which exceed 7000mm in length except those designed specifically to carry an indivisible load e.g. Glider Trailer</p>	<p>12. The TIN must be marked on the chassis, frame or other similar structure on the right hand side of the trailer. (as viewed from the rear of the trailer)</p> <p>13. The TIN must consist of 17 digits with the information shown in a single line. (see notes 5 & 8)</p> <p>14. The TIN must be placed in a clearly visible and accessible position by a method such as hammering or stamping so that it can not be obliterated or deteriorate.</p> <p>15. Capital letters and numerals must be used for the TIN.</p> <p>16. There must not be any gaps between the characters for the TIN shown on the manufacturer's plate or stamped into the trailer. (see note 5)</p> <p>17. The characters used for the TIN stamped into the chassis, frame or other similar structure must be at least 7mm high.</p> <p>18. Use of the letter I, the letter O, the letter Q and dashes, asterisks and other special signs is not permitted.</p> <p><u>Where the TIN has been changed in agreement with the Approval Authority</u></p> <p>19. Evidence of the agreement with the approval authority must be provided</p> <p>20. The original complete trailer identification number of the base trailer must be present on the chassis</p> <p>21. The complete new TIN must be stamped on the chassis as near as possible to the original TIN</p> <p>22. The last eight characters of the new TIN must be identical to the last eight characters of the base trailer TIN</p>

Method of Inspection	Required Standard																																										
	<p data-bbox="1066 201 1346 229"><u>Special Types Plate</u></p> <p data-bbox="1115 268 2069 331">23. Trailers intended for use under STGO Cat 2 and 3 conditions must be fitted with the Plate specified below:</p> <table border="1" data-bbox="1066 368 2125 647"> <thead> <tr> <th></th> <th>Axle 1</th> <th>Axle 2</th> <th>Axle 3</th> <th>Axle 4</th> <th>Max load on towing vehicle</th> <th>Max gross weight</th> </tr> </thead> <tbody> <tr> <td>20 mph</td> <td></td> <td></td> <td></td> <td></td> <td></td> <td></td> </tr> <tr> <td>25 mph</td> <td></td> <td></td> <td></td> <td></td> <td></td> <td></td> </tr> <tr> <td>30 mph</td> <td></td> <td></td> <td></td> <td></td> <td></td> <td></td> </tr> <tr> <td>35 mph</td> <td></td> <td></td> <td></td> <td></td> <td></td> <td></td> </tr> <tr> <td>40 mph</td> <td></td> <td></td> <td></td> <td></td> <td></td> <td></td> </tr> </tbody> </table> <p data-bbox="1115 687 2033 751">24. The plate must be securely fixed to the trailer in a conspicuous and readily accessible position.</p> <p data-bbox="1115 791 2069 855">25. It must contain the heading “SPECIAL TYPES USE” in letters not less than 4mm high.</p> <p data-bbox="1115 895 2119 1054">26. It must be indelibly marked, in letters and figures not less than 4mm high, with the maximum weights (in kg or tonnes) at which, in the opinion of the manufacturer, the trailer may be used legally in the UK when travelling on roads at or below the speed in question, (with the number of axles as applicable):</p>		Axle 1	Axle 2	Axle 3	Axle 4	Max load on towing vehicle	Max gross weight	20 mph							25 mph							30 mph							35 mph							40 mph						
	Axle 1	Axle 2	Axle 3	Axle 4	Max load on towing vehicle	Max gross weight																																					
20 mph																																											
25 mph																																											
30 mph																																											
35 mph																																											
40 mph																																											

Statutory Plates 18

Annex 1**Maximum permitted weights in Great Britain and Northern Ireland**

Trailers	Weight (GVW)
O1	Up to 750kg (0.75 tonnes)
O2	751kg (0.75 tonnes) up to 3500kg (3.5 tonnes)
O3	3501kg (3.5 tonnes) up to 10000kg (10.0 tonnes)
O4	10001kg (10.0 tonnes) +
Axles	Weight
Single axle	10 tonnes
Tandem axles of trailers and semi-trailers	
	The sum of the axle weights must not exceed
Distance between axle centres is less than 1metre	11 tonnes
from 1metre and less than 1.3metres	16 tonnes
from 1.3metres and less than 1.8metres	18 tonnes
1.8metres or more	20 tonnes
Tri-axle trailers and semi-trailers	
	The sum of the axle weights must not exceed
from between axle centres 1.3metres or less	21 tonnes
from 1.3metres and up to 1.4metres	24 tonnes

Record of Revision

Revision	Date	Description of Change
1	16/04/2009	
2	28/02/2011	Reword MOI and add RS for Dimension plate
3	30/04/2012	Add information to MoI for VIN number sections and add new standards
4	29/10/2012	Amend RS6, insert new RS8, amend RS9 and renumber following RSs
5	29/10/2013	Amend RS6, 7 & 13, insert new notes 4, 9 & 10, link RS6 to notes 4, 5 & 9 and RS8 to notes 2, 3, 4 & 9
6	29/10/2014	Insert new RS7 and 8, Add new standards for STGO Plates RS23 – RS26, clarify RS 9 & note 10

20 Installation of Lights

Application: All Trailers

Method of Inspection	Required Standard
<p>The examiner will perform a visual check of all lamps and reflectors fitted to the trailer to ensure the correct colour light is visible to the front or rear and that no light emitting surfaces are obscured</p> <p>Note 1: Lamp/reflector lateral position is measured from the extreme outer edge of the trailer (disregarding tyres, mirrors, lamps and reflectors) to the edge of the illuminated area (or reflective surface on a reflector) nearest that side of the trailer.</p> <p>Lamp/reflector vertical position is measured from the ground;</p> <p>In the case of the maximum height to the top edge of the illuminated area (reflective surface on a reflector).</p> <p>In the case of the minimum height to the lower edge of the illuminated area (reflective surface on a reflector).</p>	<ol style="list-style-type: none"> 1. The trailer must be fitted with lamps or retro reflective material only capable of showing a white light to the front except for: <ul style="list-style-type: none"> • an amber light from a direction indicator or hazard beacon • an amber light from a side marker light • a yellow light from a conspicuity marking material • an green light from a ABS light 2. The trailer must be fitted with lamps or retro reflective material only capable of showing a red light to the rear except for: <ul style="list-style-type: none"> • an amber light from a direction indicator or hazard beacon • a white light from a work lamp, reversing lamp, interior lamp, or a registration plate lamp • a yellow light from a rear registration plate • a yellow light from a conspicuity marking material • an amber light from a side marker light • emergency vehicles only, a blue light from an external warning lamp or beacon. 3. All obligatory and optional lamps, reflectors and rear markers must be securely fitted to the trailer and not move by swivelling, deflecting, or otherwise while the trailer is in motion, except for a work lamp, used to illuminate a working area or the scene of an accident, breakdown or road works in the vicinity of the trailer to which it is fitted.

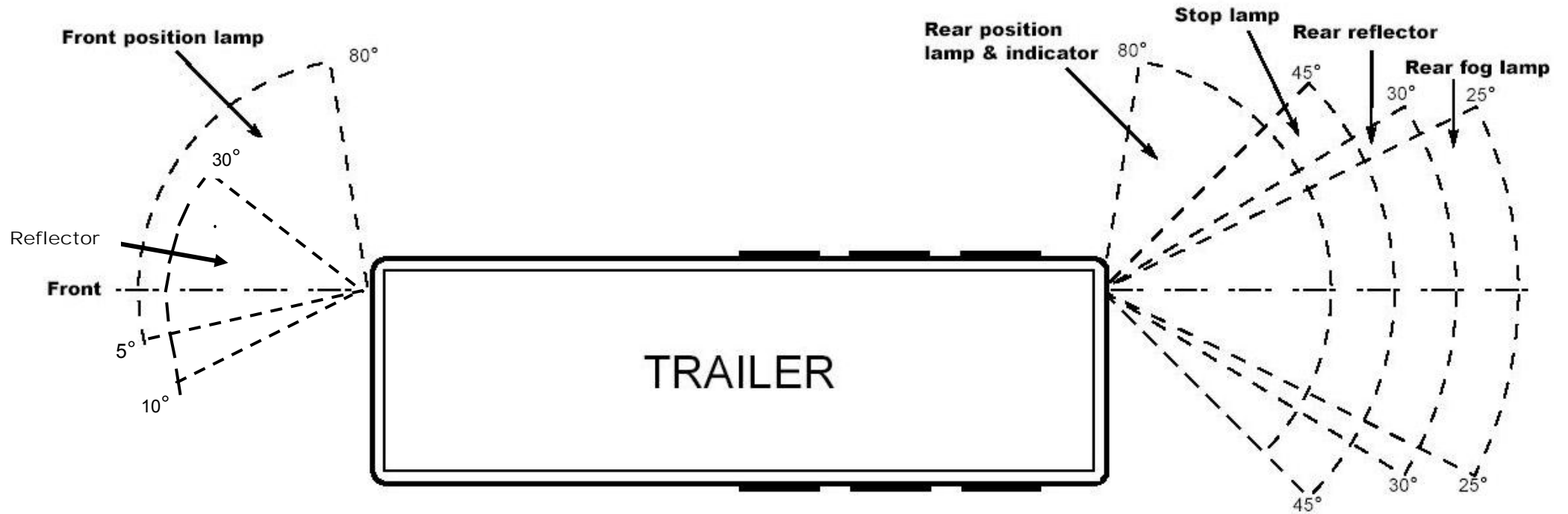
Installation of Lights 20

Method of Inspection	Required Standard
<p>Note 2: This does not apply to rear retro reflectors which must be visible at all times.</p> <p>Note 3: Additional reflectors fitted to O3/O4 trailers do not have to be triangular in shape</p> <p>If workshop tools or equipment are required to reinstate the function of a lamp that 'lamp' should be considered not 'fitted'. If a stop lamp meets the criteria of an optional lamp and is 'fitted', i.e. connected it must operate.</p> <p>Two or more lamps (see “A” and “B” in Figure 4), whether identical or not, having the same function and emitting light of the same colour are considered to be one lamp if the aggregate illuminated area of the lamps occupies 60% or more of the area of the smallest rectangle circumscribing those illuminated areas.</p>	<ol style="list-style-type: none"> 4. The operation of any lamp must not effect any other lamp or be affected by the operation of any other lamp, unless specifically designed to do so 5. All obligatory and optional lamps, reflectors and rear markers must be fitted to their correct orientation 6. When every door or other movable part is in the fixed open position (any position in which the component will remain, with or without a fixed stay) the <ul style="list-style-type: none"> • front and rear position lamps • front and rear indicators • rear retro reflectors <p>must fulfil one of the following conditions:</p> <ol style="list-style-type: none"> a. half (50%) of the apparent surface of the lamp or reflector is visible from directly behind the trailer, or b. additional fully visible lamp (s) / reflectors satisfying all requirements for the above lamps / reflectors are activated / visible, or c. a notice on the trailer must inform the user that in certain positions of the movable components, other road users should be warned of the presence of the trailer on the road (e.g. by laying out a warning triangle). (see note 2)

Installation of Lights 20

Figure 1
Horizontal Angles of Visibility

Each lamp and reflector must be positioned such as to provide an “apparent surface”. At least 50% of the “apparent surface” of each lamp or reflector must be visible from any point within the relevant angles.



Installation of Lights 20

Figure 2 Vertical Angles of Visibility

Each lamp and reflector must be positioned such as to provide an “apparent surface”. At least 50% of the “apparent surface” of each lamp or reflector must be visible from any point within the relevant angles.

Front Position Lamps, Retro Reflectors and Indicators (including Side Repeaters)

‘a’ = less than 750mm above ground level.

‘b’ = 750mm or more above ground level.

‘ar’ = Front retro reflector less than 750mm above ground level

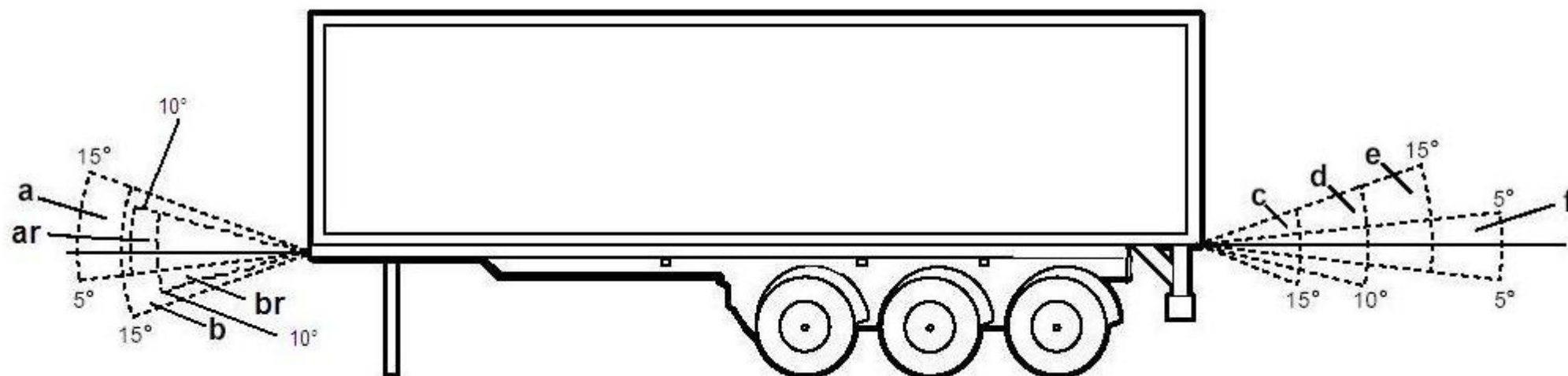
‘br’ = Front retro reflector more than 750mm above ground level

‘c’ = Rear position lamps and Stop lamps 1500mm or more above ground level. Indicators and Rear reflectors 750mm or more above ground level.

‘d’ = Rear position lamps and Stop lamps less than 1500mm above ground level.

‘e’ = Rear position lamps, Stop lamps, Indicators and Rear reflectors less than 750mm above ground level.

‘f’ = Rear fog lamps.



Installation of Lights 20

Figure 3

“To the rear” of the trailer means “in an area the sides of which are at an angle of 15 degrees out from the extreme outer edge of the trailer, (starting from the rear corner) and extending up to **25m** from the rear of the trailer (measured along the trailer longitudinal).”

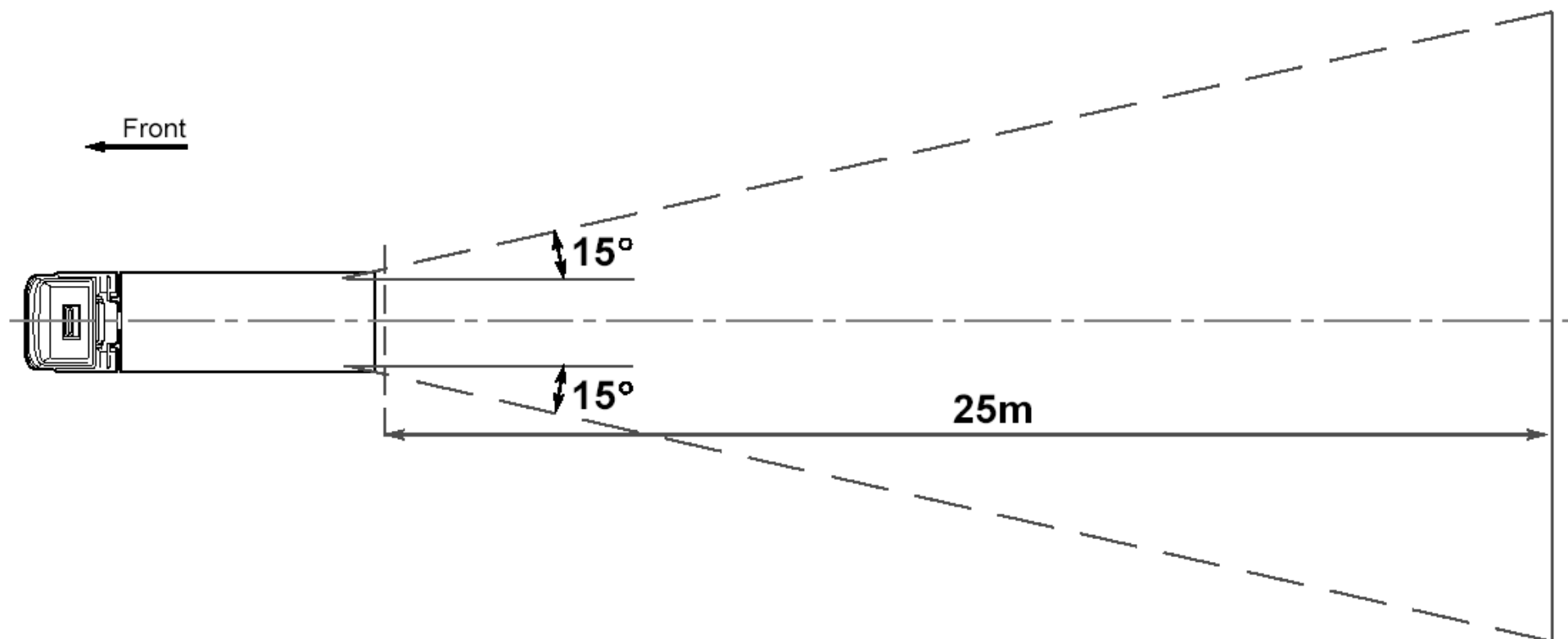
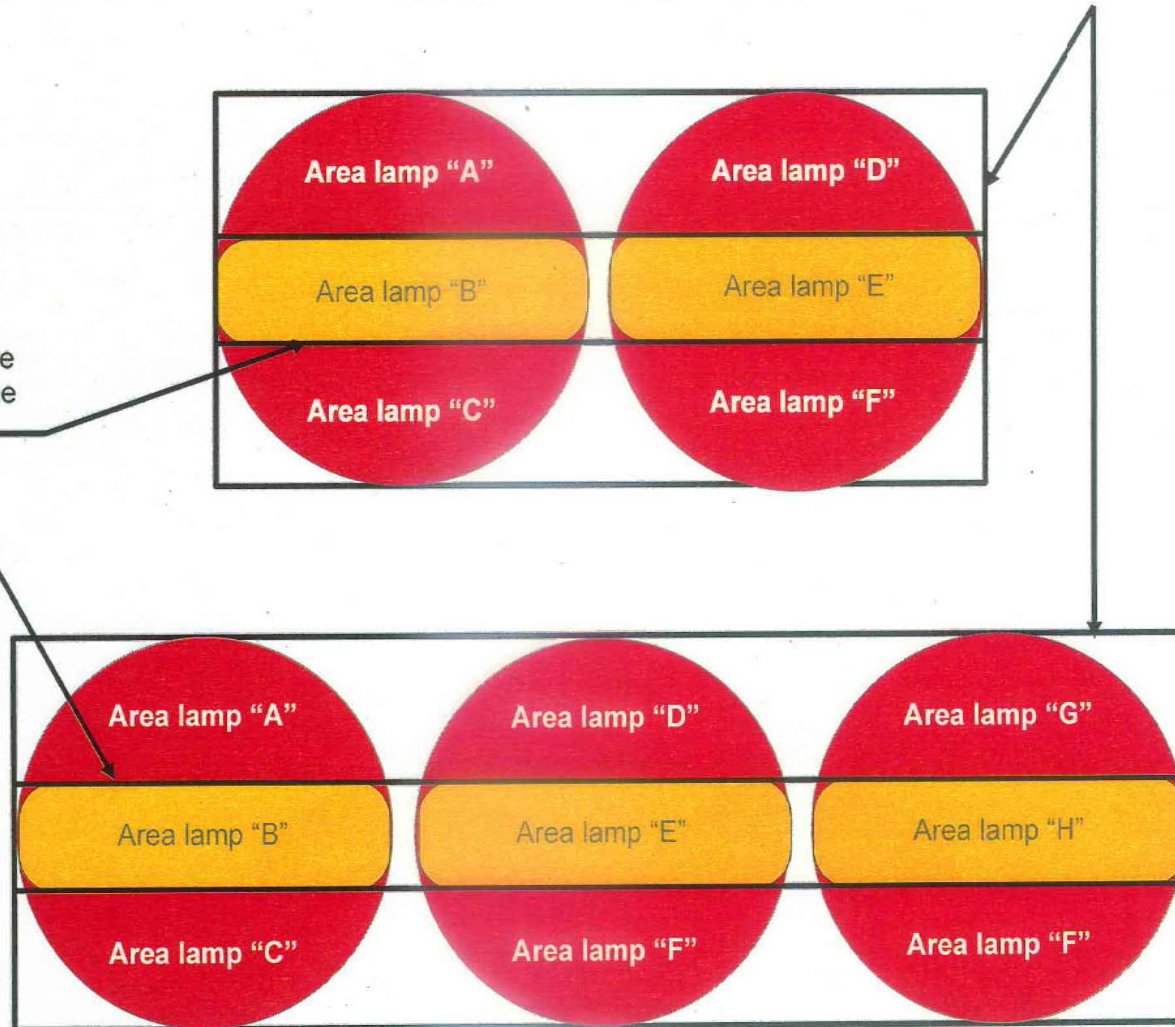
**Installation of Lights 20**

Figure 4

If the total of the red area is 60% or more of the area drawn around the lamps, the lamps are considered to be one lamp.

If the total of the amber area is 60% or more of the area drawn around the lamps, the lamps are considered to be one lamp.



Installation of Lights 20

Record of Revision

Revision	Date	Description of Change
1	16/04/2009	
2	28/02/2011	Add new RS 4 and renumber remaining standards
3	30/02/2012	Add exemptions to allowed light in RS 1 & 2
4	29/10/2012	Add angles of visibility of reflectors in Figures 1 & 2.
5	29/10/2013	Insert text in Note 2, correction to Figure 1, and amend Table 1 Side Retro-Reflectors (Application), insert new Fig. 4
6	29/10/2014	Add new Note 3


This page intentionally left blank

21 Retro Reflectors

Application: (Reflectors) All Trailers, (Conspicuity Markings) O3 & O4 trailers more than 6 metres long and more than 2.1 metres wide. (Optional on O2 trailers; prohibited on O1 trailers.)

Method of Inspection	Required Standard
<p>Carry out a visual check of all mandatory retro reflectors, conspicuity marking and rear markers fitted to the vehicle for colour, number, approval markings and correct positioning.</p> <p>Vehicles are required to have a full contour marking on the rear, i.e. horizontal and vertical markings to outline the shape of the vehicle, and partial contour markings on the side. Partial contour markings consist of a horizontal line showing the length of the vehicle and 'tick' marks showing the upper corners of the vehicle. (see figure 1, 2 & 3)</p> <p>Note 1: Geometric angles of visibility and positional requirements are not required for all optional reflectors and rear markers.</p> <p>Note 2: RS 1 is not applicable to O1 – O2 trailers imported from outside the EU</p> <p>Note 3: Where the shape, structure, design or operational requirements make it impossible to install the mandatory contour marking, a line marking is acceptable (see figure 6),</p>	<p>Retro reflectors;</p> <ol style="list-style-type: none"> 1. All reflectors must be 'e' or 'E' marked and where applicable, bear the appropriate identity marking as listed in Table 1 (see note 2) 2. The correct number must be fitted to the trailer (Table 1) 3. The correct colour must be fitted to the trailer (Table 1) 4. They must be positioned to meet <ol style="list-style-type: none"> a. the positional requirements of Table 1 b. the angles of visibility requirements of Table 1 5. They must be of the correct shape (Table 1) <p>Conspicuity Markings; trailers above 3500kgs</p> <ol style="list-style-type: none"> 6. Full or partial conspicuity markings must be fitted (See note 3) 7. Conspicuity Markings must only be applied to the correct category of trailer (see application) 8. All conspicuity marking material must be of an approved type (see note 4)

Retro Reflectors 21

Method of Inspection	Required Standard
<p>Note 4: Example of an Approval Mark</p>  <p>104 R - 0001148</p> <p>Symbol "C" indicates the class of the retro-reflective material which is intended for contour/strip marking.</p> <p>Note 5: Markings are considered continuous if gaps are less than 50% of the length of adjacent elements, However, if the manufacturer can prove to the satisfaction of the authority responsible for type approval that it is impossible to respect the value of 50 per cent, the distance between adjacent elements may be larger than 50 per cent of the shortest adjacent element, and it shall be as small as possible and not exceed 1000 mm</p> <p>Note 6: If 1500mm is not practicable this can be increased to 2500mm.</p> <p>Note 7: Rear marker plates (R70.01) count towards cumulative total width of conspicuity marking.</p> <p>Note 8: Overall trailer length excludes the drawbar</p> <p>Note 9: Rear markers are not required to be fitted as long as the trailer has been fitted with Conspicuity Markings that comply to the required standards of this section.</p>	<p>9. There must be at least one visible approval mark on an element of a retro-reflective marking material fitted to each face of the vehicle (o/s, n/s & rear) (figure 7)</p> <p>10. The maximum gap between adjacent elements must be no greater than 50% of the smallest adjacent element (see note 5)</p> <p>11. The lowest edge must be between 250mm and 1500mm from the ground. (see note 6)</p> <p>12. The minimum width of the markings must be at least 50mm</p> <p>13. The maximum width of the markings must be no greater than 60mm.</p> <p>Rear Conspicuity Markings; trailers over 3500kg and over 2.1m wide</p> <p>14. must be coloured either red or yellow</p> <p>15. must cover at least 70% of the overall trailer width (see note 7 & figure 5)</p> <p>16. must be at least 200mm away from any mandatory brake light (see figure 4 A)</p> <p>Side Conspicuity markings; trailers over 3500kg and over 6 metres in length</p> <p>17. must be coloured either white or yellow</p> <p>18. must extend within 600mm of either end of the trailer (see figure 2)</p> <p>19. must cover at least 70% of the overall trailer length (see note 8 & figure 5)</p> <p>If Full or Partial Contour Markings are fitted</p> <p>20. The maximum height must be as close as is practical to the top of the body. (see figure 2)</p>

Retro Reflectors 21

Method of Inspection	Required Standard
	<p data-bbox="1003 268 2085 331">21. The vertical aspect of marking must be as close to the edge as practicable. (see figure 4 B)</p> <p data-bbox="1003 371 1912 403">22. Each side of a Tick Marking must be at least 250mm (see figure 3)</p> <p data-bbox="954 438 1805 470">Rear Markers; (O1, O2 if over 8m in length and all O3 and O4)</p> <p data-bbox="1003 507 1809 539">23. All rear markers must bear the appropriate approval marks</p> <p data-bbox="1003 576 2123 639">24. A minimum of one set of obligatory markers must be fitted to the trailer (see note 9 & Table 2)</p> <p data-bbox="1003 676 2092 740">25. They must be positioned correctly to meet the positional requirements of Table 2 (See note 1)</p> <p data-bbox="1003 777 1615 809">26. They must be of the correct type (Table 2)</p>

Table 1

TYPE	NUMBER	APPLICATION	COLOUR	POSITION			ANGLES OF VISIBILITY (see figure 1 & 2 of section 20)	APPROVAL MARK "E" or "e" Identity Symbol or BS Mark / Notes
				MAX DISTANCE FROM SIDE (mm)	MAX HEIGHT (mm)	MIN HEIGHT (mm)		
Rear Retro Reflectors Triangular (Optional reflectors may be any shape)	Min 2 Max any number Includes optional	Mandatory	Red	400 (Min separation 600 unless trailer width less than 1300, where Min separation 400)	900 or if impracticable 1500	250	a. Horizontal i. 30° inwards and outwards. b. Vertical i. < 750mm above the ground 15° above and 5° below horizontal. ii. otherwise 15° above and below horizontal	IIIA or IIIB "E" or "e"
Front Retro Reflectors Non-triangular	Min 2 Max any number Includes optional	Mandatory	White	150	900 or if impracticable 1500	250	a. Horizontal i. 10° inwards and 30° outwards. b. Vertical i. < 750mm above the ground 15° above and 5° below horizontal. ii. otherwise 15° above and below horizontal	IA or IB "E" or "e"
Side Retro Reflectors Non-triangular	See below	Mandatory on all trailers	Amber The rearmost may be red if within 1m of the rear	N/A	1500 or if the shape of the bodywork makes it impossible 2100	250	a. Horizontal 45° to the front and to the rear b. Vertical i. < 750mm above the ground 15° above and 5° below horizontal. ii. otherwise 15° above and below horizontal	IA or IB "E" or "e"
<ul style="list-style-type: none"> • At least one side reflector fitted to the middle third of the trailer • The foremost side- reflector being not further than 3 m from the front • The distance between two adjacent side- reflectors shall not exceed 3m (if bodywork makes it impracticable this distance may be increased to 4m) • The distance between the rearmost side- reflector and the rear of the trailer shall not exceed 1 m 								

Retro Reflectors 21

Figure 1

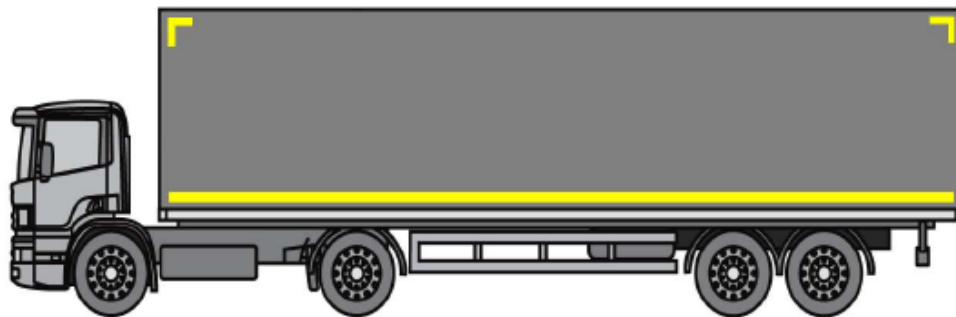
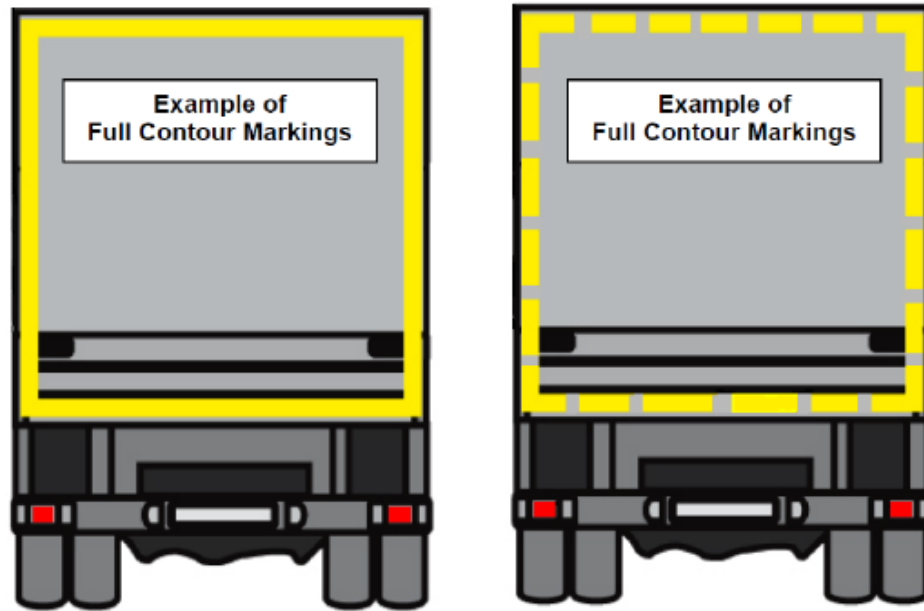


Figure 2

The maximum height must be as close as is practical to the top of the body

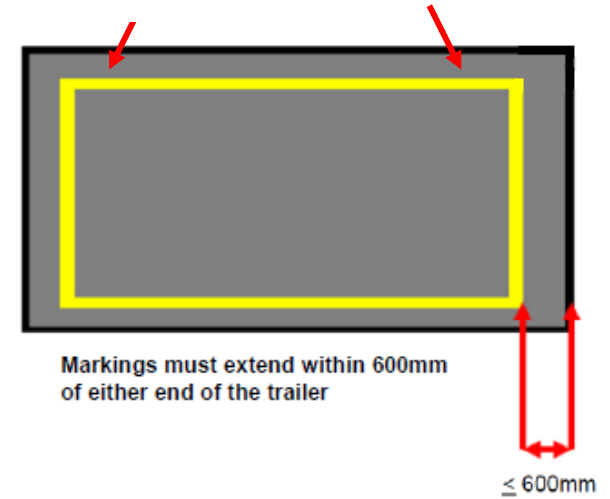
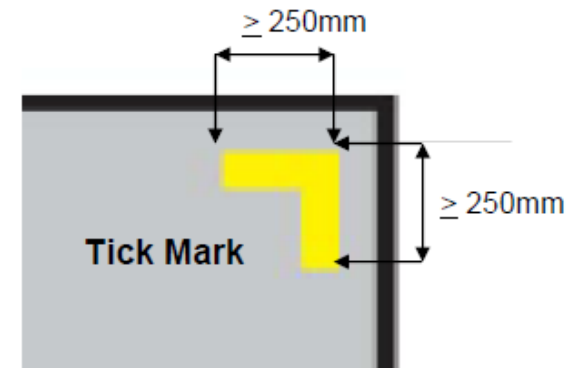


Figure 3



Rear marker plates are optional (A, B, C)

Where fitted rear marker plates may only be counted as contributing to the rear contour marking (C) provided they comply with UNECE Regulation 70.01

Marker plates approved to UNECE Regulation 70.00 do not count towards the conspicuity marking

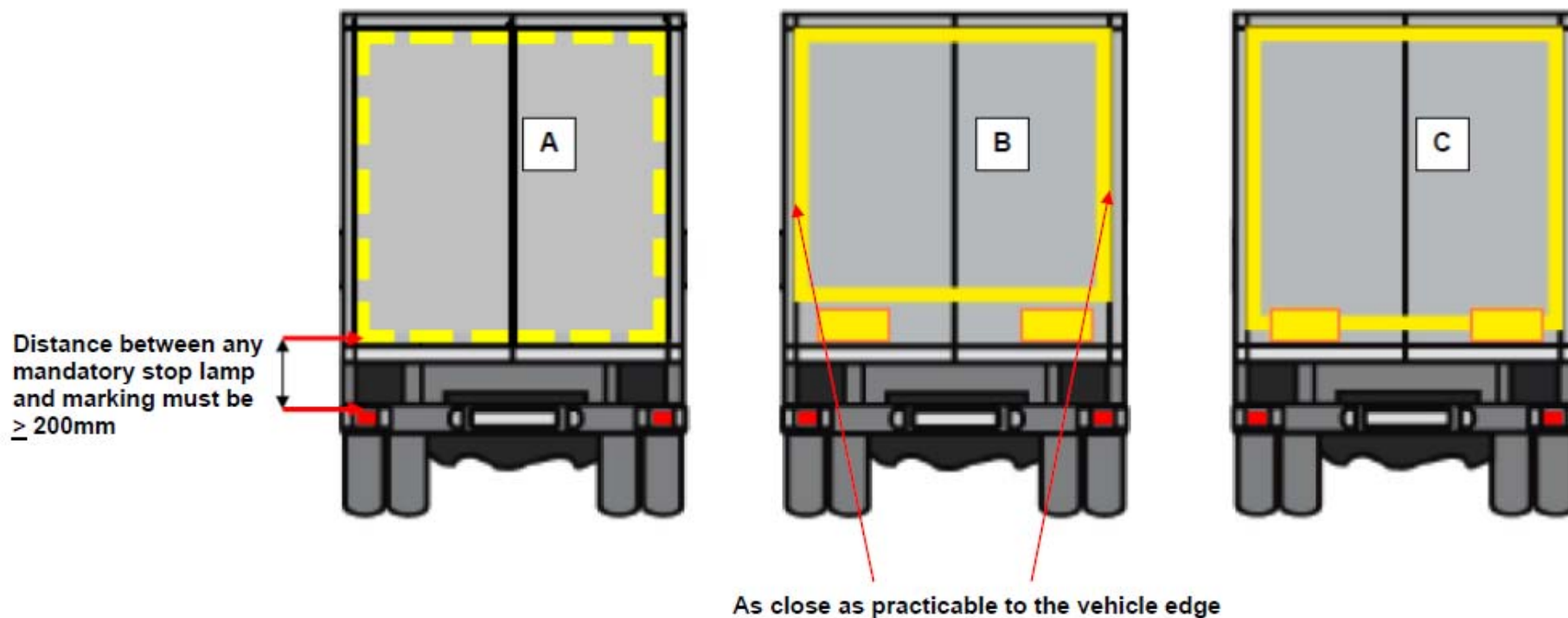
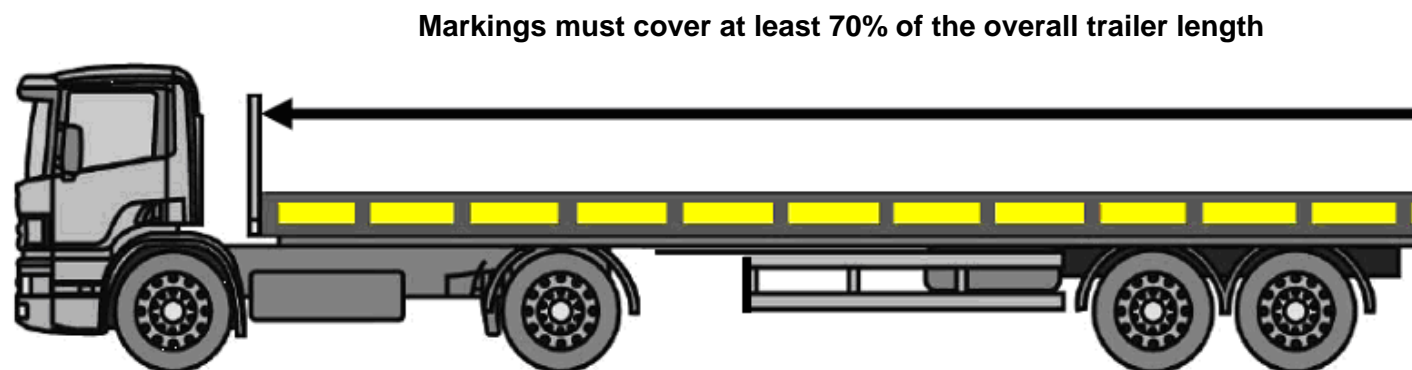


Figure 5



Markings must cover at least 70% of the overall trailer width

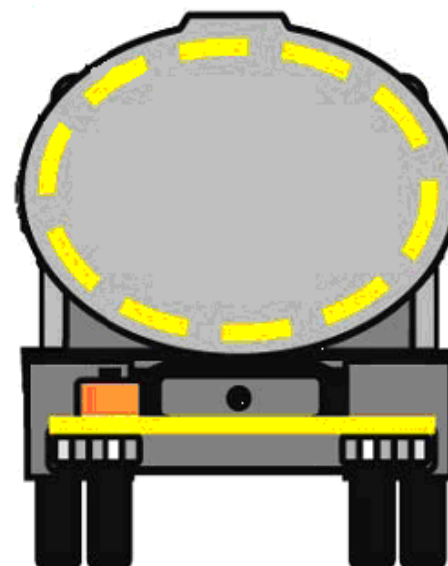


Figure 6 Typical examples of line markings

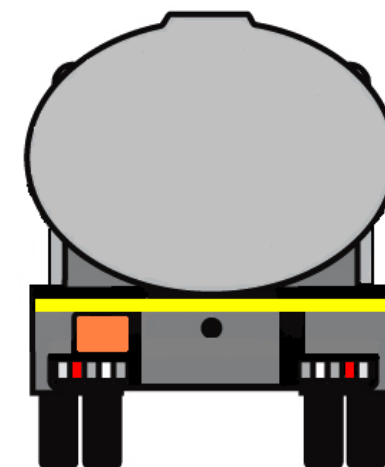
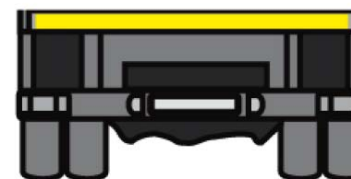
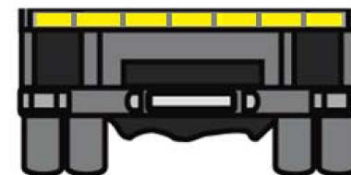
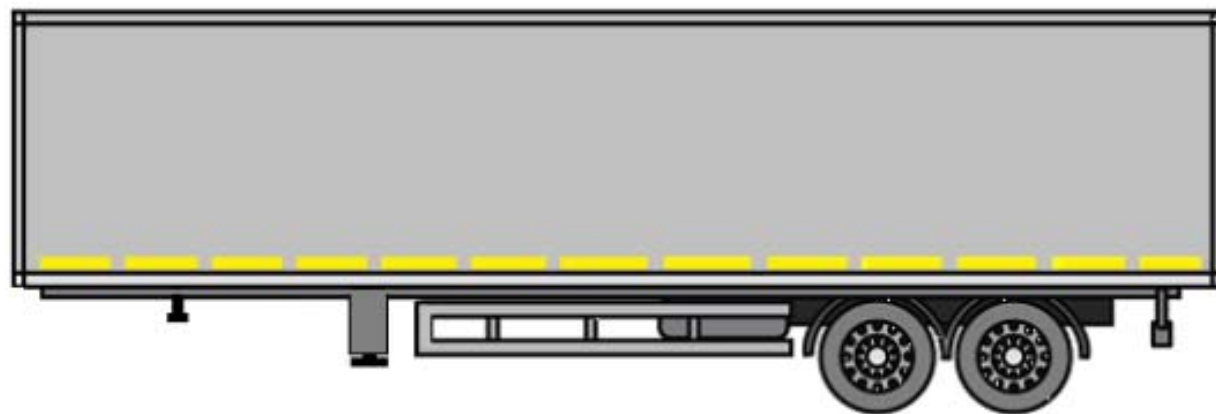
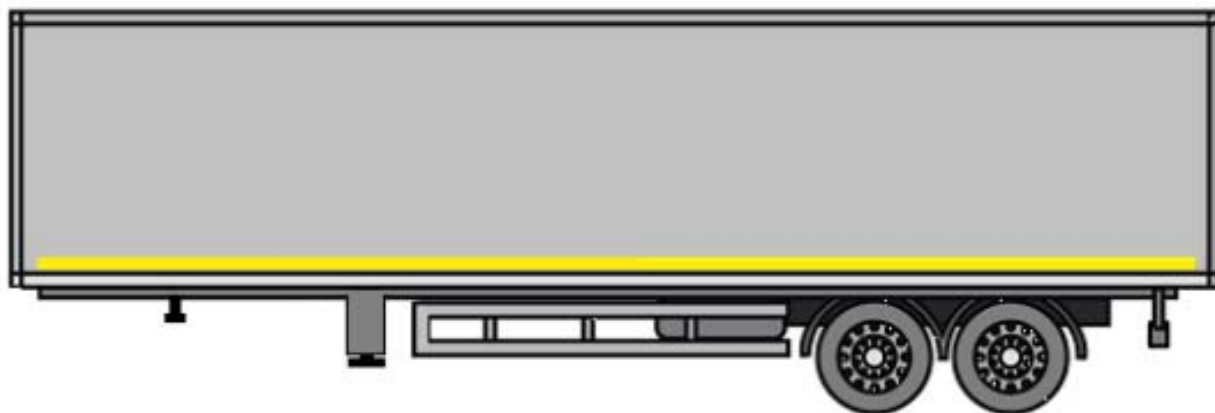



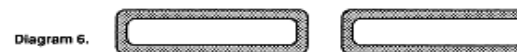
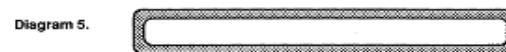
Table 2

1. Description	
A trailer if it forms part of a combination of vehicles the overall length of which does not exceed 11m:	A rear marking of a type shown in diagram 1, 2, 3 or 4 in Part III of this Section
A trailer if it forms part of a combination of vehicles the overall length of which exceeds 11m but does not exceed 13m:	A rear marking of a type shown in Part III of this Section
A trailer if it forms part of a combination of vehicles the overall length of which exceeds 13m:	A rear marking of a type shown in diagram 5, 6, 7 or 8 in Part III of this Section
2. Position	
Longitudinal:	At or near the rear of the trailer
A rear marking of a type shown in diagram 2, 3, 4, 6, 7 or 8 in Part III of this Section:	Each part shall be fitted as near as practicable to the outermost edge of the trailer so that no part of the marking projects beyond the outermost part of the trailer on either side
A rear marking of a type shown in diagram 1 or 5 in Part III of this Section:	The marking shall be fitted so that the vertical centre-line of the marking lies on the vertical plane through the longitudinal axis of the trailer and no part of the marking projects beyond the outermost part of the trailer on either side
Vertical:	The lower edge of every rear marking shall be at a height of not more than 1700mm nor less than 400mm above the ground whether the trailer is laden or unladen
3. Visibility:	Plainly visible to the rear
4. Alignment:	The lower edge of every rear marking shall be fitted horizontally. Every part of a rear marking shall lie within 20° of a transverse vertical plane at right angles to the longitudinal axis of the trailer and shall face to the rear
5. Markings	An approval mark to ECE Regulation 70 or 70:01 Example Marking
	RF  01148
6. Colour:	Red fluorescent material in the stippled areas shown in any of the diagrams in Part III of this Section and yellow retro reflective material in any of the areas so shown, being areas not stippled and not constituting a letter.

Retro Reflectors 21

Part III

Rear markings prescribed for Trailers (where required to be fitted)



Record of Revision

Revision	Date	Description of Change
1	16/04/2009	
2	28/02/2011	Add Conspicuity Markings and more acceptable markings for reflectors
3	30/04/2012	Re-order Rs for conspicuity markings, amend text for marker boards
4	29/10/2012	Reword statements on Figure 4 & remove labelling from tanker on page 7
5	29/10/2013	Revise Application header, insert new note 2 & RS6, link RS24 to note 7 and revise requirement for side Retro-Reflectors in table 1.
6	29/10/2014	Add new note 2 and renumber remaining notes

This page intentionally left blank

22 End-outline, Position (Side), Stop and Side Marker Lamps

Application: All Trailers

Method of Inspection	Required Standard
<p>Carry out a visual check of all outline marker, position, stop, side marker and daytime running lamps fitted to the trailer for operation, colour, number, approval marks and correct positioning. This includes all optional lamps.</p> <p>With optional lamps check that fitment is permitted and they do not exceed the maximum number of lamps of that type allowed to be fitted</p> <p>Note 1: Geometric angles of visibility and positional requirements are not required for all optional position lamps, stop lamps and end outline marker lamps.</p> <p>Note 2: RS 1 is not applicable to O1 – O2 trailers imported from outside the EU</p> <p>Note 3: The inspection of the side marker lamps applies to the obligatory lamps fitted to all trailers exceeding 6m in length</p> <p>Note 4: The inspection of end-outline marker lamps applies to the obligatory marker lamps fitted to trailers exceeding 2.10m in width</p> <p>Note 5: Both front and rear end outline marker lamps can be combined in one device</p> <p>Note 6: There is no requirement for special bracketry to be manufactured in order to accommodate these lamps.</p>	<ol style="list-style-type: none"> 1. All lamps must be 'e' or 'E' marked and where applicable, bear the appropriate identity marking as listed in table 1 (See note 2) <p>Front and Rear Position Lamps;</p> <ol style="list-style-type: none"> 2. The correct number must be fitted to the trailer (Table 1) 3. They must be operational 4. They must only emit white light to the front / red light to the rear 5. They must be positioned to meet (see note 1) <ol style="list-style-type: none"> a. the positional requirements of Table 1 b. the angles of visibility requirements of Table 1 <p>Stop Lamps;</p> <ol style="list-style-type: none"> 6. The correct number must be fitted to the trailers (Table 1) 7. They must be operational 8. They must only emit red light 9. They must only illuminate when the service brake is applied, and must extinguish when the service brake is released

End-outline, Position (Side), Stop and Side Marker Lamps 22

Method of Inspection	Required Standard
	<p>10. They must be positioned to meet: (see note 1)</p> <ul style="list-style-type: none"> a. the positional requirements of Table 1 b. the angles of visibility requirements of Table 1 <p>Side Marker lamps; (see note 3)</p> <p>11. The correct number must be fitted to the trailer (in accordance to the positional requirements)</p> <p>12. They must be operational</p> <p>13. They must emit an amber light (red is permitted if within 1 metre of the rear)</p> <p>14. They must be positioned to meet:</p> <ul style="list-style-type: none"> the positional requirements of Table 1 the angles of visibility requirements of Table 1 <p>End Outline Marker Lamps; (see note 4, 5 & 6)</p> <p>15. The correct number must be fitted to the trailer (Table 1)</p> <p>16. They must be operational</p> <p>17. They must only emit red light to the rear / white light to the front</p> <p>18. They must be positioned to meet: (see note 1)</p> <ul style="list-style-type: none"> the positional requirements of Table 1 the angles of visibility requirements of Table 1

End-outline, Position (Side), Stop and Side Marker Lamps 22

Table 1

TYPE	NUMBER	APPLICATION	COLOUR	POSITION			ANGLES OF VISIBILITY (see figure 1 & 2 of section 20)	APPROVAL MARK "E" or "e" Identity Symbol or BS Mark
				MAX DISTANCE FROM SIDE (mm)	MAX HEIGHT (mm)	MIN HEIGHT (mm)		
Front Position Lamps	Min 2 Max any number Includes optional lamps	Not required on trailers for the carriage and launching of boats	White	150	O1 / O2 2100	350	a. Horizontal i. 5° Inwards ii. 80° Outwards b. Vertical i. 15° Above and below the horizontal (May be reduced to 5° if the lamps are less than 750mm above the ground)	A "E" or "e"
		Mandatory on trailers over 1600mm wide Optional on other trailers			O3 / O4 1500 or if the structure makes this impossible / impractical 2100			
Rear Position Lamps	Min 2 Max any number Includes optional lamps	Mandatory	Red	400	1500 or if the structure makes this impossible / impractical 2100	350	a. Horizontal i. 45° Inwards ii. 80° Outwards b. Vertical i. 15° above and below the horizontal (May be reduced to 5° if the lamps are less than 750mm above the ground)	R "E" or "e"
Stop Lamps	Min 2 Max any number Includes optional lamps	Mandatory	Red	400	1500 or if the structure makes this impossible / impracticable 2100	350	a. Horizontal i. 45° inwards and outwards b. Vertical i. as rear position lamps.	S1 or S2 "E" or "e"
Stop Lamps (Optional)	Min 1 Max any number	Optional	Red	If 1 is fitted: as close to trailer centre-line as practicable If 2 are fitted: no requirement	n/a	no lower than the mandatory stop lamps	Must face the rear	S1 or S2 "E" or "e"

End-outline, Position (Side), Stop and Side Marker Lamps 22

TYPE	NUMBER	APPLICATION	COLOUR	POSITION			ANGLES OF VISIBILITY (see figure 1 & 2 of section 20)	APPROVAL MARK "E" or "e" Identity Symbol or BS Mark
				MAX DISTANCE FROM SIDE (mm)	MAX HEIGHT (mm)	MIN HEIGHT (mm)		
End Outline Marker Lamp	2 visible from the front and 2 visible from the rear Max any number Includes optional lamps	Mandatory on all trailers exceeding 2.10m wide	Front-White Rear - Red	As close as possible to the extreme edge and not more than 400mm from the edge		Front and Rear: as high as possible, where trailer structure exists to mount the lamps on (See note 5)	a. Horizontal i. 80° Outwards b. Vertical i. 5° Above the horizontal ii. 20° Below the horizontal	A or R "E" or "e"
Side Marker Lamp	See below	All trailers where the length exceeds 6m (The length of trailers includes the drawbars) Not required on trailers for the carriage and launching of boats	Amber The rearmost marker may be red	N/A	1500 or if impracticable 2100	250	a. Horizontal i. 45° to the front and rear (Can be reduced to 30° if fitted as an optional extra) b. Vertical i. 10° Above and below the horizontal (The vertical angle below the horizontal may be reduced to 5° if the side marker lamp is fitted less than 750mm from the ground)	SM1 "E" or "e"
<p>Side Marker Lamp Spacing</p> <ul style="list-style-type: none"> at least one side-marker lamp must be fitted to the middle third of the trailer the foremost side-marker lamp being not further than 3 m from the front the distance between two adjacent side-marker lamps shall not exceed 3 m, if bodywork makes it impracticable this distance may be increased to 4 m the distance between the rearmost side-marker lamp and the rear of the trailer shall not exceed 1 m 								

End-outline, Position (Side), Stop and Side Marker Lamps 22

Record of Revision

Revision	Date	Description of Change
1	16/04/2009	
2	28/02/2011	Add notes and link to standards
3	29/10/2013	Link RS1 to note 1, insert new note 5, revise front pos. lamps angles of viz. and min height of end outline marker lamps in Table 1
4	29/10/2014	Add new note 2 and renumber remaining notes

End-outline, Position (Side), Stop and Side Marker Lamps 22

This page intentionally left blank

End-outline, Position (Side), Stop and Side Marker Lamps 22

23 Direction Indicators

Application: All Trailers

Method of Inspection	Required Standard
<p>Carry out a visual check of all direction indicators fitted to the trailer for operation, colour, number, approval marks and correct positioning.</p> <p>With optional lamps check that fitment is permitted and they do not exceed the maximum number of lamps allowed to be fitted</p> <p>The inspection of hazard warning lamps applies to all the obligatory lamps fitted to the trailer</p> <p>Note 1: Geometric angles of visibility and positional requirements are not required for all optional direction indicator lamps.</p> <p>Note 2: RS 1 is not applicable to O1 – O2 trailers imported from outside the EU</p>	<p>Directional Indicators;</p> <ol style="list-style-type: none"> 1. All lamps must be ‘e’ or ‘E’ marked and where applicable, bear the appropriate identity marking as listed in table 1 (see note 2) 2. They must be operational 3. The correct number must be fitted to the trailer (Table 1) 4. They must flash at a rate of between 60 and 120 times a minute (with all mandatory indicators working, and with the engine running on the towing vehicle if initially below the requirement) 5. All lamps must emit amber light. 6. They must be positioned to meet (see note 1) <ol style="list-style-type: none"> a. the positional requirements of Table 1 b. the angles of visibility requirements of Table 1 <p>Hazard Warning Lights;</p> <ol style="list-style-type: none"> 7. The hazard warning device must operate all of the direction indicators simultaneously

Direction Indicators 23

Table 1

TYPE	NUMBER	APPLICATION	COLOUR	POSITION			ANGLES OF VISIBILITY (see figure 1 & 2 of section 20)	APPROVAL MARK "E" or "e" Identity Symbol or BS Mark / Notes
				MAX DISTANCE FROM SIDE (mm)	MAX HEIGHT (mm)	MIN HEIGHT (mm)		
Direction Indicators & Hazard Warning	Trailers Rear - Two (one each side), plus 2 optional	Mandatory	Amber	400 (min separation 600 unless trailer width is less than 1300 where min separation is 400)	1500 or if impracticable 2100	350	a. Horizontal i. 80° outwards 45° inwards. b. Vertical i. < 750mm above the ground 15° above and 5° below horizontal. ii. Otherwise 15° above and below horizontal.	Rear 2a, 2b or 12 "E" or "e"

Record of Revision

Revision	Date	Description of Change
1	16/04/2009	
2	28/02/2011	Add text to MOI, link note to standards and amend maximum height figure
3	29/10/2014	Add new note 2

This page intentionally left blank

24 Rear Registration Lamps

Application: All Trailers

Method of Inspection	Required Standard
<p>Carry out a visual check of all rear registration plate lamps fitted to the trailer for operation, colour and correct positioning.</p> <p>Note 1: RS 1 is not applicable to O1 – O2 trailers imported from outside the EU</p> <p>Note 2: See section 4 Rear Registration Plate Space in conjunction with position of rear registration plate lamp</p>	<p>Rear registration plate lamps;</p> <ol style="list-style-type: none">1. All lamps must be 'e' or 'E' marked (see note 1)2. They must be operational3. They must be able to be switched on and off with the front and rear position lights by operating one switch4. They must only emit white light5. They must be positioned sufficient to illuminate the rear registration plate

Record of Revision

Revision	Date	Description of Change
1	16/04/2009	
2	28/02/2011	Remove the reference to optional lamps
3	29/10/2014	Add new note 1 and renumber remaining notes

28 Rear Fog Lamps

Application: All Trailers

Method of Inspection	Required Standard
<p>Carry out a visual check of the rear fog lamps fitted to the trailer for operation, colour, number, approval marks and correct positioning. This includes optional lamps.</p> <p>With optional lamps check that fitment is permitted and they do not exceed the maximum number of lamps allowed to be fitted</p> <p>Note 1: Rear Fog Lamp separation distance must be measured between the “illuminating surface” of each lamp.</p>	<p>Rear fog lamps;</p> <ol style="list-style-type: none"> 1. All lamps must be ‘e’ or ‘E’ marked and where applicable, bear the appropriate identity marking as listed in table 1 2. They must be operational 3. The correct number must be fitted to the trailer (Table 1) 4. They must only emit a red light 5. They must be positioned to meet <ol style="list-style-type: none"> a. the positional requirements of Table 1 b. the angles of visibility requirements of Table 1 6. Must not be operated by a brake control 7. Fitted so that the reflector is facing squarely to the rear 8. Where two rear fog lamps are fitted they must form a matched pair. 9. Where two rear fog lamps are fitted they must operate as a matched pair.

Table 1

TYPE	NUMBER	APPLICATION	COLOUR	POSITION			ANGLES OF VISIBILITY (see figure 1 & 2 of section 20)	APPROVAL MARK "E" or "e" Identity Symbol or BS Mark / Notes
				MAX DISTANCE FROM SIDE (mm)	MAX HEIGHT (mm)	MIN HEIGHT (mm)		
Rear Fog Lamp	Min 1 Max 2	All Trailers of 1300mm in width or greater	Red	At least one must be on centre line or to offside of trailer (Min separation distance from stop lamp 100) see note 1	1000	250	a. Horizontal i. 25° inwards and outwards; if two lamps are fitted it is sufficient if one lamp (not necessarily the same lamp) – is visible throughout the range b. Vertical i. 5° above and below horizontal.	B or F "E" or "e"

Record of Revision

Revision	Date	Description of Change
1	16/04/2009	
2	28/02/2011	Remove the word "Optional" from application bar
3	29/10/2013	Amend RS8 & 9

This page intentionally left blank

29 Reversing Lamps

Application: All Trailers of category O2, O3 & O4 (Optional O1)

Method of Inspection	Required Standard
<p>Carry out a visual check of the reverse lamps fitted to the trailer for operation, colour, number, approval marks and correct positioning.</p> <p>Note 1: RS 1 is not applicable to O1 – O2 trailers imported from outside the EU</p>	<p>Reverse lamps;</p> <ol style="list-style-type: none"> 1. All lamps must be 'e' or 'E' marked and where applicable, bear the appropriate identity marking as listed in table 1 (see note 1) 2. They must be operational 3. The correct number must be fitted to the trailer (Table 1) 4. All reverse lamps must emit white light. 5. They must be positioned to face the rear and meet the positional requirements of Table 1 <p>If two reverse lamps are fitted to the side of the trailer and used for slow manoeuvres in a forward motion</p> <ol style="list-style-type: none"> 6. The devices must be activated and deactivated manually by a separate switch 7. They must be automatically switched off if the forward speed of the vehicle exceeds 10 km/h, regardless of the position of the separate switch. In this case they shall remain switched off until deliberately being switched on again.

Reversing Lamps 29

Table 1

TYPE	NUMBER	APPLICATION	COLOUR	POSITION			ANGLES OF VISIBILITY	APPROVAL MARK "E" or "e" Identity Symbol or BS Mark / Notes
				MAX DISTANCE FROM SIDE (mm)	MAX HEIGHT (mm)	MIN HEIGHT (mm)		
Reversing Lamps	Min 1 Max 2	Optional on O1 Mandatory O2 – O4 Trailers up to 6000mm	White		1200	250	face the rear	A or R "E" or "e"
	Min 2 mandatory Max 2 optional	Trailers with a length exceeding 6000mm						

Record of Revision

Revision	Date	Description of Change
1	16/04/2009	
2	28/02/2011	Reword RS 5
3	29/10/2013	Revise table 1 Max & Min number of lamps
4	29/10/2014	Add New Note 1

This page intentionally left blank

36 Heating Systems

Application: All Trailers (if fitted)

Method of Inspection	Required Standard
<p>Ensure that the trailer presented has satisfactory evidence of compliance to the required standard</p> <p>A combustion heater</p> <p>Requires documentary evidence or an 'E' marked component plus a Installation Check</p> <p>Ensure that any heater system fitted is safe for use and is not dangerous.</p> <p>Note 1: The heating system must not be used and the gas cylinder valve must be closed when the vehicle is in motion or words to that effect.</p>	<p>Combustion Heater</p> <ol style="list-style-type: none"> 1. The trailer must be accompanied by satisfactory evidence of compliance with the required standard for "Heating Systems". <p>Installation Check</p> <ol style="list-style-type: none"> 2. A liquid fuelled or gaseous fuelled combustion heater must be fitted in accordance with the manufacturer's instructions. 3. There must be no likelihood of polluted air entering the accommodation / exhibition compartment. 4. There must be no obvious fire risk associated with the heating system 5. It must be positioned so that it is not likely to cause injury 6. It must be positioned so exhaust gases are not likely to enter the accommodation / exhibition compartment

Heating Systems 36

Method of Inspection	Required Standard
	<p>LPG heating systems for stationary use only.</p> <p>7. Permanent warning labels/pictograms must be attached. (See note 1) :</p> <p> a. on the compartment where portable LPG cylinders are stored</p> <p>and</p> <p> b. in close proximity to the control device for the heating system,</p>

Record of Revision

Revision	Date	Description of Change
1	16/04/2009	
2	29/10/2013	Insert new note 1 & RS7

This page intentionally left blank

42 Lateral Protection System (Side Guards)

Application: All Trailers of category O3 and O4

Method of Inspection	Required Standard
<p>A trailer of category O3 or O4 is not required to be fitted with a separate lateral protection device, providing the sides of the trailer are so designed and/or equipped that by their shape and characteristics their component parts together meet the requirements in standards 2 to 18</p> <p>On a trailer fitted with extendible legs to provide additional stability during loading, unloading or other operations for which the trailer is designed, the side guard may be arranged with additional gaps where these are necessary to permit extension of the legs.</p> <p>On a trailer equipped with anchorage points for ro-ro transport, gaps shall be permitted within the side guard to accept the passage and tensioning of fixing lashings.</p> <p>An extendable trailer must comply with all the relevant requirements, when in its closed (non extended) position.</p> <p>Note 1: "Unprotected road users" means pedestrians, cyclists or motor cyclists using the road in such a way that they are liable to fall under the sides of the vehicle and be caught under the wheels.</p>	<ol style="list-style-type: none"> 1. Where the side of the body does not meet the requirements, a side guard device must be fitted. (See note 1) <p>Requirements for both body sides and separate devices:</p> <p>Required area to be protected</p> <ol style="list-style-type: none"> 2. The device or body side must have its rearward edge extended to within 300mm of the tyre on the first rear axle. (see note 2 & figure 1) 3. On a draw bar trailer the front edge of the guard must be no more than 500mm to the rear of the rearmost part of the tyre on the wheel immediately forward of the guard. (See note 2) 4. On a centre axle trailer the front edge of the guard must extend no further than the front of the bodywork, (if any), or the chassis where the drawbar connects and must not affect normal manoeuvrability of the trailer. 5. On a semi-trailer the front edge of the guard must be no more than 250mm to the rear of the centre line of the support legs, but in any case never more than 2.7m behind the centre of the king pin. (see figure 1) 6. The device or body side must be within 350 mm of the body line (see note 3) 7. The device or body side must not have a ground clearance of more than 550 mm

Lateral Protection System (Side Guards) 42

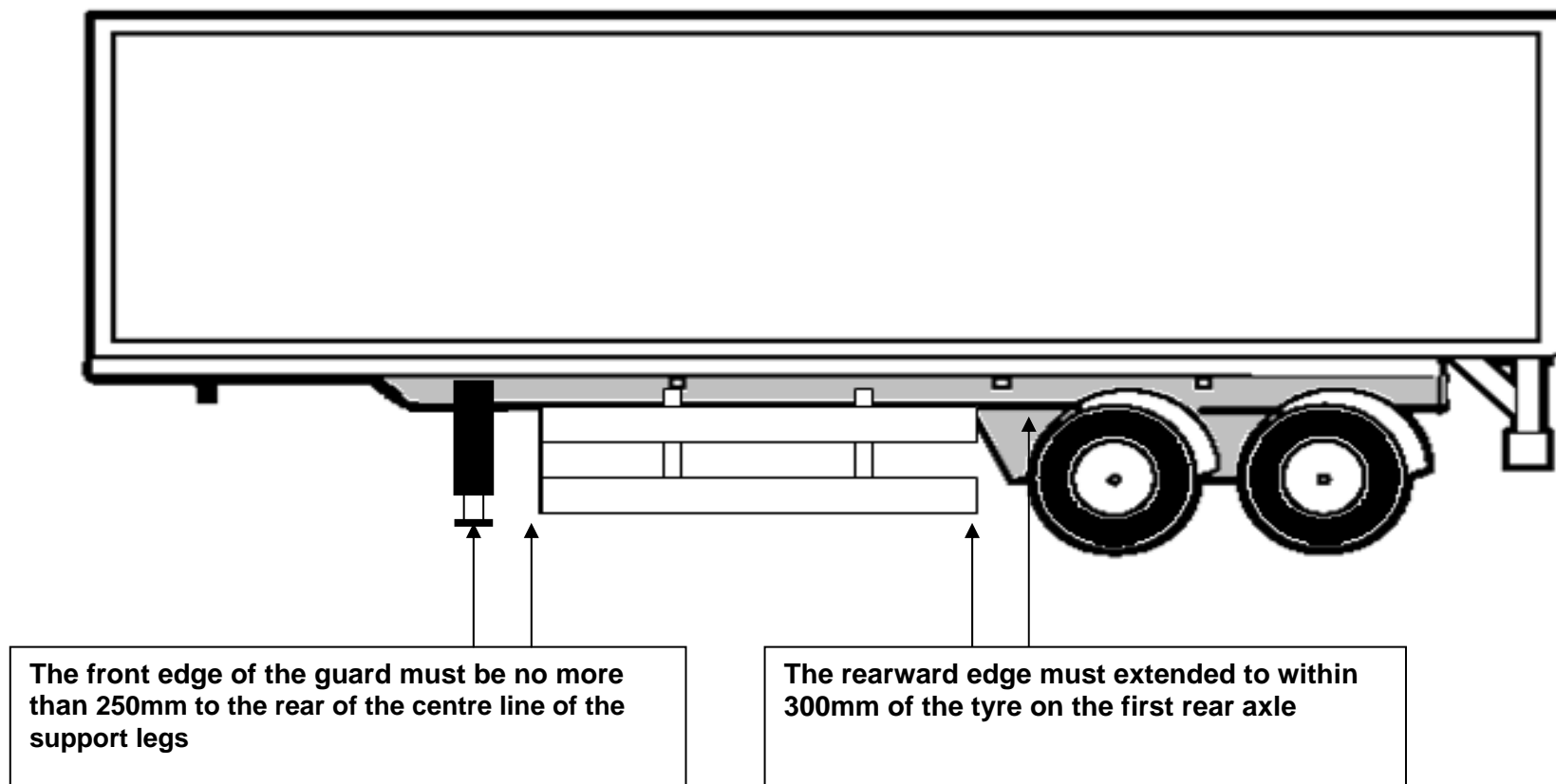
Method of Inspection	Required Standard
<p>Exempt Trailers (including STGO):</p> <p>Semi trailer where the distance from the king pin to the foremost axle centre is less than 4.5m</p> <p>Vehicle transporters (trailers designed to carry other vehicles loaded onto it from the rear) exempt where the chassis rails are on the extremities of the vehicle</p> <p>Low Loader if the upper surface of load platform <750mm above the ground</p> <p>Gulley emptiers, where fitting of a lateral protection device prevents the use of the suction tube (not merely hinders)</p> <p>Trailers specially designed and constructed for the carriage of very long loads of indivisible length, such as timber, steel bars, etc</p> <p>Trailers specifically designed and constructed for a purpose where the fitment of a lateral protection device would prevent the use of that equipment fitted (not merely hinders)</p> <p>A tank-trailer designed solely for the carriage of fluid substance in a closed tank permanently fitted to the vehicle and provided with hose or pipe connections for loading or unloading, shall be fitted with side guards which comply so far as is practicable with all the requirements of this section; strict compliance may be waived only where operational requirements make this necessary.</p> <p>Road Recovery Trailer (O4 trailer used under STGO)</p> <p>Note 2: The measurement is taken to a vertical plane extending from the surface of the tread closest to the guard or relevant body work.</p>	<p>Within the defined area the following standards must be met</p> <ul style="list-style-type: none"> 8. The device or body sides must be constructed of a suitable material and must be of sufficient strength as to offer effective protection to unprotected road users (see note 1) 9. The device or body side must have a smooth or horizontally corrugated surface (see note 4) 10. Any external edges and corners must be rounded with a radius of at least 2.5mm 11. There must be no projecting brackets or bolt heads (see note 5) 12. The device or body side must be continuous in length (see note 6) 13. The device or body side must not have the rearward end more than 30mm inboard from the outermost edge of the rear tyres over at least the last 250mm of the device / body <p>Where equipment is incorporated into the side guard,</p> <ul style="list-style-type: none"> 14. The equipment must have a smooth substantially flat or horizontally corrugated outer surface (See note 4) 15. There must not be a gap of more than 25 mm between it and the guard or body side (see note 7, figure 2 & 4) 16. Where necessary the equipment must meet any required dimensional requirement as if it was part of the device. 17. There must be no projecting brackets or hinges 18. It must not have protruding bolt heads or similar protrusions (see note 5) 19. Any external edges and corners must be rounded with a radius of at least 2.5mm.

Lateral Protection System (Side Guards) 42

Method of Inspection	Required Standard
<p>Note 3: The 'Body Line' is that part of the structure of the trailer, cut or contacted by a vertical plane tangential to the outer surface of the tyres, except in the following cases:</p> <p>Where the plane does not cut the structure of the trailer, the upper edge shall be level with the surface of the load-carrying platform , or 950mm from the ground, whichever is the less.</p> <p>Where the plane cuts the structure of the trailer at a level more than 1.3m above the ground, then the upper edge of the side guard shall not be less than 950mm above the ground</p> <p>Note 4: Any adjacent parts may overlap providing that all overlapping edges face rearwards or downwards.</p> <p>Note 5: Dome shaped bolt heads and rivets, or other parts provided they are similarly rounded and smooth protruding to a maximum of 10mm in height are acceptable.</p> <p>Note 6: Combinations of surfaces and rails shall be considered as a continuous side guard as long as the gaps between them are no greater than 25mm</p> <p>Note 7: A gap of 130mm either side of a crane / stabiliser leg is permitted</p> <p>Note 8: The inward measurement is taken at 90 degrees to the longitudinal plane of the trailer from the outer face of the guard; the actual face of the portion turned inwards may be between 90 and 45 degrees from the same plane towards the front of the trailer.</p>	<p>Additional requirements for separate devices</p> <p>20. The device must be attached securely</p> <p>21. The device must consist of at least one horizontal rail (see note 3)</p> <p>22. Where more than one horizontal rail is used, the rails must be not more than 300mm apart.</p> <p>23. For O4 trailers the horizontal rails must have a section height of at least 100 mm (figure 3)</p> <p>24. For O3 trailers the horizontal rails must have a section height of at least 50 mm (figure 3)</p> <p>25. It must have a forward facing edge of at least 100 mm</p> <p>26. The side guard must be no more than 150mm inboard from the outermost plane of the trailer</p> <p>27. It must not increase the overall width of the trailer</p> <p>28. The device must not be used for the attachment of air or hydraulic brake pipes</p> <p>29. Where the forward edge lies in open space then the following requirements must be met :-</p> <ol style="list-style-type: none"> There must be a continuous vertical member extending over the whole height of the device For O3 trailers, the outer and forward faces must measure at least 50 mm rearward and be turned 100 mm inwards. (see note 8 and figure 3) For O4 trailer, the outer and forward faces must measure at least 100 mm rearward and be turned 100 mm inwards. (see note 8 and figure 3)

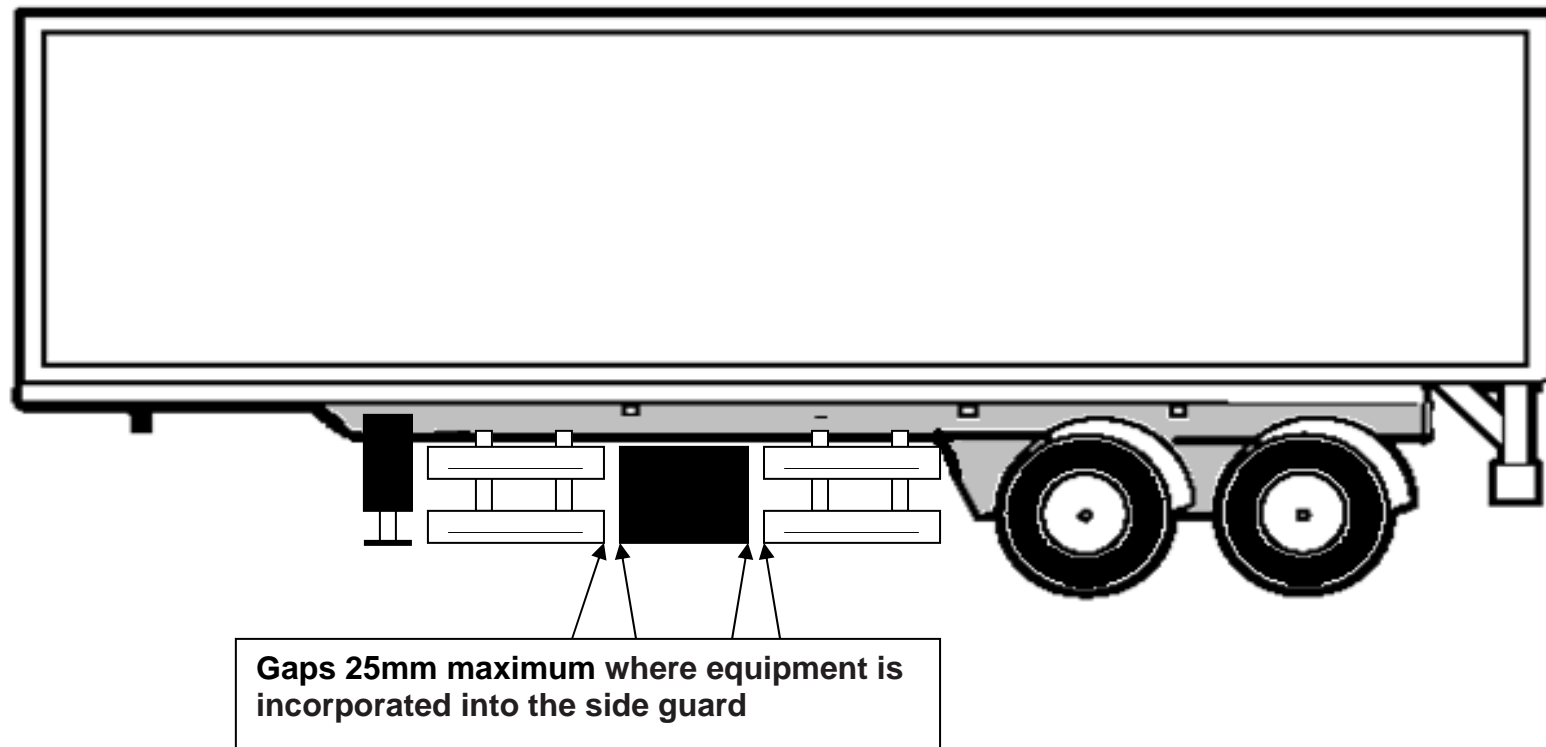
Lateral Protection System (Side Guards) 42

Figure 1



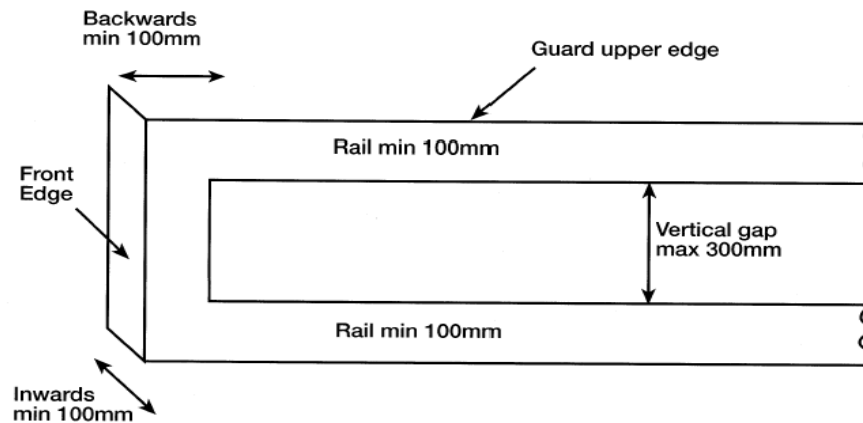
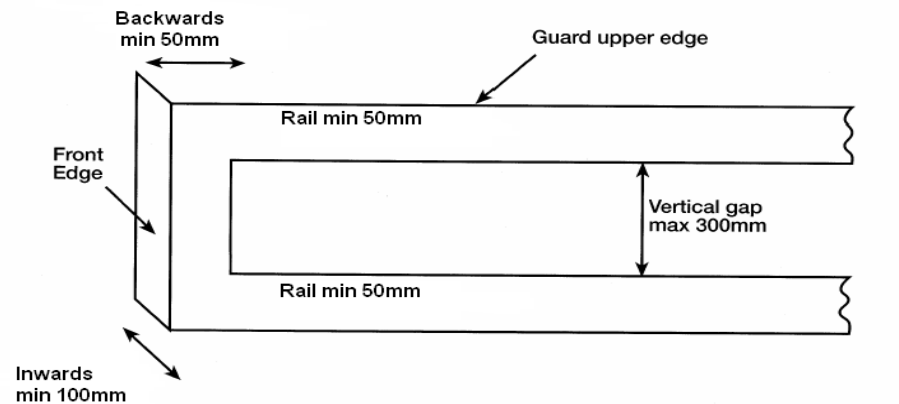
Lateral Protection System (Side Guards) 42

Figure 2



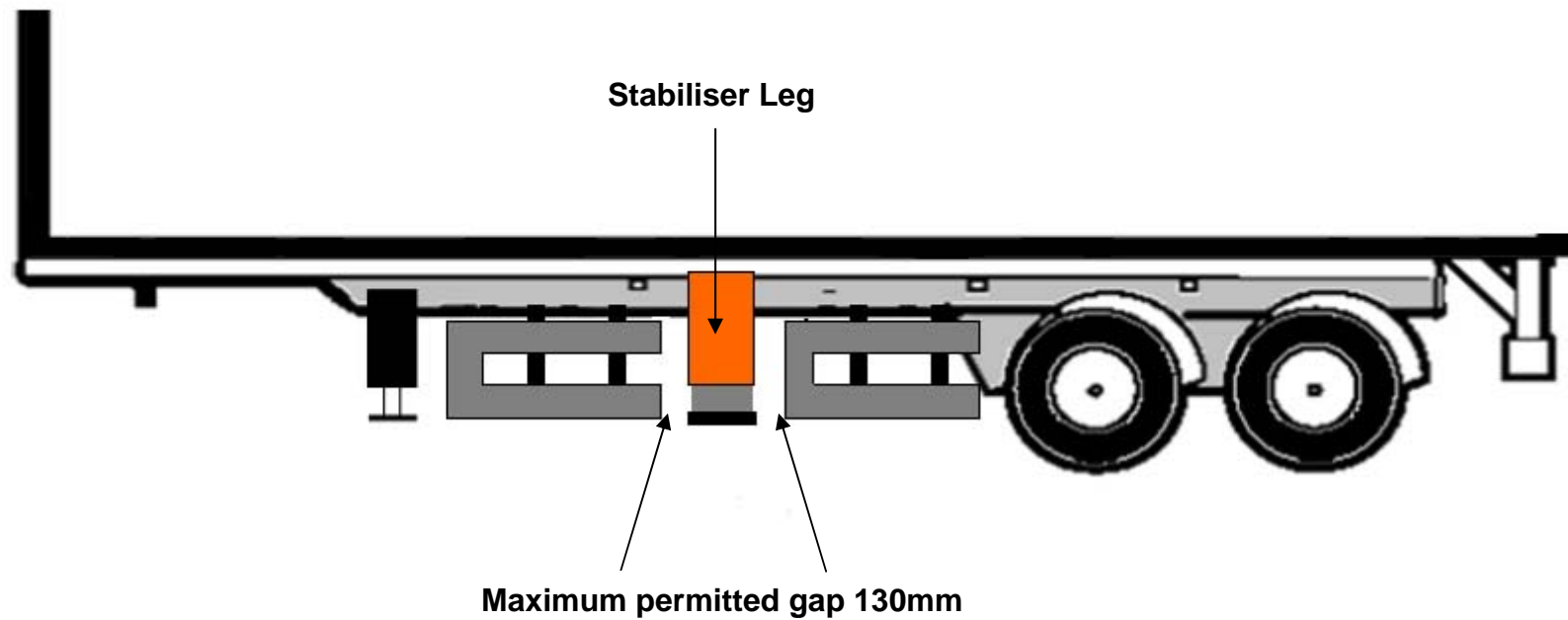
Lateral Protection System (Side Guards) 42

Figure 3



Lateral Protection System (Side Guards) 42

Figure 4



Lateral Protection System (Side Guards) 42

Record of Revision

Revision	Date	Description of Change
1	16/04/2009	
2	28/02/2011	Add exemptions, add text to required standards and add figure 4
3	30/04/2012	Amend exemptions
4	29/10/2013	Amend RS1 & 2, insert new RS4
5	29/10/2014	Add STGO Exemption

43 Spray Suppression

Application: All Trailers of category O3 and O4

Method of Inspection	Required Standard										
<p>All road wheels must be fitted with Spray Suppression devices.</p> <p>Exempt Trailers :</p> <table border="1" style="width: 100%; border-collapse: collapse;"> <thead> <tr> <th style="width: 25%; text-align: center;">Vehicle Type</th> <th style="text-align: center;">Exemption Provided</th> </tr> </thead> <tbody> <tr> <td style="padding: 5px;">Trailers with tipper bodies – side tipping or rear tipping</td> <td style="padding: 5px;">Tippers with open-backed bodies are exempt from spray suppression, but require mud guards.</td> </tr> <tr> <td style="padding: 5px;">Trailers designed to carry timber, beams or girders of exceptional length</td> <td style="padding: 5px;">Trailers specially designed and constructed for the carriage of very long loads of indivisible length, such as timber, steel bars, etc, are exempt from spray suppression but require mudguards.</td> </tr> <tr> <td style="padding: 5px;">Refuse trailers (including skip),</td> <td style="padding: 5px;">Exemption from spray suppression, but will require mud guards.</td> </tr> <tr> <td colspan="2" style="text-align: center; padding: 5px;">Mudguards must comply with RS 4, 5, 6 & 7</td> </tr> </tbody> </table> <p>STGO Exempt Vehicles:</p> <p>Abnormal Indivisible Load (AIL) Trailers > 2.55m and/or > 12m long which are either Cat 2 <80T or Cat 3 <150T or >150T</p>	Vehicle Type	Exemption Provided	Trailers with tipper bodies – side tipping or rear tipping	Tippers with open-backed bodies are exempt from spray suppression, but require mud guards.	Trailers designed to carry timber, beams or girders of exceptional length	Trailers specially designed and constructed for the carriage of very long loads of indivisible length, such as timber, steel bars, etc, are exempt from spray suppression but require mudguards.	Refuse trailers (including skip),	Exemption from spray suppression, but will require mud guards.	Mudguards must comply with RS 4, 5, 6 & 7		<p>Component Check</p> <ol style="list-style-type: none"> 1. Every road wheel must be fitted with a Spray Suppression system. 2. All Spray Suppression material must be of an approved type. (see note 1 and 2) 3. All components must be secured so that they perform their function. <p>Installation Check</p> <p>Mudguards (fitted in combination with energy absorption materials).</p> <ol style="list-style-type: none"> 4. must fully cover the zone immediately above, ahead and behind any part of the tyre or tyres 5. in the case of non steered wheels must have the lower front edge no more than 45 degrees above the horizontal line of the axle (A on figure 1) 6. in the case of steered wheels must have the lower front edge no more than 45 degrees above the horizontal line of the axle (A on figure 1) 7. must have the lower rear edge no more than 100mm above the horizontal line of the axle (C on figure 1)
Vehicle Type	Exemption Provided										
Trailers with tipper bodies – side tipping or rear tipping	Tippers with open-backed bodies are exempt from spray suppression, but require mud guards.										
Trailers designed to carry timber, beams or girders of exceptional length	Trailers specially designed and constructed for the carriage of very long loads of indivisible length, such as timber, steel bars, etc, are exempt from spray suppression but require mudguards.										
Refuse trailers (including skip),	Exemption from spray suppression, but will require mud guards.										
Mudguards must comply with RS 4, 5, 6 & 7											

Spray Suppression 43

Method of Inspection	Required Standard
<p>Mudguard Is a device to prevent as far as practical mud or water being thrown from a tyre. They may be formed using parts of the body or they may be an entirely separate unit.</p> <p>Outer Valances Are usually strips of material that are fitted longitudinally across a wheel space attached at one end to a rain flap to form an outer wheel arch lip, a vertical downward face that closes off what would be an open area.</p> <p>Rain flaps Can be a flexible extension to a wing or it may form the rear most vertical face of a wing in conjunction with the body, in this latter case it must be treated as a wing and be securely fixed to prevent excessive movement.</p> <p>Lifting axles Where a trailer is fitted with one or more lifting axles, the spray-suppression system must cover all the wheels when the axle is lowered and the remaining wheels which are in contact with the ground when the axle is raised</p> <p>Self-tracking axles Where a trailer is fitted with a self-tracking axle, the spray-suppression system must satisfy the conditions applicable to non-steered wheels if mounted on the pivoting part. If not mounted on that part, it must satisfy the conditions that are applicable to steered wheels.</p>	<p>8. must have Spray Suppression material fitted to the front face of the rear of the guard facing the tyre tread, complying with the dimensional requirements of figure 1. and 3</p> <p>9. that consist of several components must have no gaps between or within individual parts when assembled that will permit the exit of spray when the trailer is in motion.</p> <p>Additional standard where Separate Mudguards are fitted (in combination with air/water separation to multiple axle configurations).</p> <p>10. where the distance between the tyres on adjacent axles does not exceed 300 mm the mudguards must also conform to the model shown in Figure 7.</p> <p>Alternative Standards from standards 4-10 where the body forms the mudguards (and energy absorption systems are fitted).</p> <p>11. must cover the zone above the tyre or tyres from the front edge of the tyre to the rain flap located behind the wheel see figure 5</p> <p>12. must have their inner faces made from or be fitted with a spray suppression material.</p> <p>Outer Valances (with energy absorption Spray Suppression systems installed).</p> <p>13. fitted to steered and self-steered wheels must have its vertical face within 100mm of the tyre wall (D on figure 2) see note 3</p> <p>14. fitted to non -steered wheels must have its vertical face within 75 mm of the tyre wall (D on figure 2)see note 3</p> <p>15. must have a depth of at least 45mm, at all points behind a vertical line passing through the centre of the wheel see Figure 2</p>

Spray Suppression 43

Method of Inspection	Required Standard
<p>Note 1: All spray suppression materials must be either e marked or be accompanied by an e marked sample of the material to permit the examiner to make a comparison.</p> <p>Note 2: ‘Spray-suppression device’ means part of the spray-suppression system, which may comprise:</p> <p>Air/water separator: This is a component forming part of the valance and/or of the rain flap through which air can pass whilst reducing pulverized water emissions.</p> <p>Or</p> <p>Energy absorber: This is a component forming part of the mudguard and/or valance and/ or rain flap which absorbs the energy of water spray, thus reducing pulverized water spray.</p> <p>Note 3: Where rope hooks are fitted the outer valance may meet the requirements of figure 6 as an alternative.</p> <p>Note 4: The maximum height of the bottom edge of the rain flap in relation to the ground, may be raised to 300 mm if the manufacturer deems it technically appropriate with regard to the suspension characteristics e.g. ‘road friendly’ suspension</p>	<p>16. fitted to steered wheels must have the lower edge within 1.5 x tyre radius at points A,B and C as shown in Figure 4</p> <p>17. fitted to non - steered wheels must have the lower edge within 1.25 x tyre radius at points A,B and C as in Figure 4</p> <p>18. must have no openings in them or between them and other parts of the mudguard enabling spray to emerge.</p> <p>Alternative standards (to 13 -18) for Outer Valances (where the body forms the mudguard over non steered or self steering wheels and an energy absorption spray suppression system is installed).</p> <p>19. must be located above each wheel of multiple axles where a rain flap is fitted between each wheel. See figure 5</p> <p>20. must have the entire inner surface fitted with an energy-absorption spray-suppression material.</p> <p>21. must be a minimum of 100mm high</p> <p>22. must have no openings in them or between the outer valance and the inner part of the mud guard enabling spray to emerge.</p> <p>23. must be continuous where rain flaps are not fitted behind each wheel, they must extend between the outer edge of the rain flap and a vertical plane passing through the front edge of the tyre.</p> <p>Outer Valances (with air/water separation Spray Suppression systems installed).</p> <p>24. must have air/water separator spray-suppression devices fitted to the lower edges.</p>

Spray Suppression 43

Method of Inspection	Required Standard
	<p>25. must have a depth of at least 45mm, at all points behind a vertical line passing through the centre of the wheel</p> <p>26. fitted to steered wheels must have its lowest edge within 1.05 x tyre radius see figure 7</p> <p>27. fitted to non-steered wheels must have its lowest edge within 1 x tyre radius see figure 7</p> <p>28. must have no openings in them or between them and the mudguard enabling spray to emerge</p> <p>29. in the case of non steered wheels must have the lower front edge no more than 30 degrees above the horizontal line of the axle (A on figure 1)</p> <p>30. in the case of steered wheels must have the lower front edge no more than 20 degrees above the horizontal line of the axle (A on figure 1)</p> <p>Rain Flaps : (where energy absorption Spray Suppression systems are installed)</p> <p>31. must be at least equal to the full width of the tyre(s)</p> <p>32. must be vertical</p> <p>33. must have the lower edge no more than 200 mm above the ground (see note 4)</p> <p>34. must be no more than 300 mm from a vertical plane passing through the rearmost edge of the tyre</p> <p>35. must have no openings between the rain flap and the lower edge of the wheel guard enabling spray to emerge.</p>

Spray Suppression 43

Method of Inspection	Required Standard
	<p>36. must have the whole face made of spray suppression material.</p> <p>37. must be fitted to the rearmost axle of multiple axles where distance between the tyres on adjacent axles is less than 250 mm,</p> <p>38. must be fitted behind each wheel of multiple axles when the distance between the tyres on adjacent axles is 250 mm or greater.</p> <p>Rain Flaps : (where the body forms the mudguard and energy absorption Spray Suppression systems are installed)</p> <p>39. must extend to the lower part of the mud guard and comply with standards 29 to 36</p> <p>Rain Flaps (where air/water Separation Systems are installed)</p> <p>40. must be at least equal to the full width of the tyre(s)</p> <p>41. must be vertical</p> <p>42. must have no openings between the rain flap and the lower edge of the wheel guard enabling spray to emerge.</p> <p>43. must be fitted to the rearmost axle of multiple axles where distance between the tyres on adjacent axles is less than 250 mm.</p> <p>44. must be fitted behind each wheel of multiple axles when the distance between the tyres on adjacent axles is 250 mm or greater.</p> <p>45. must not be more than 200 mm from the rearmost edge of the tyre, measured horizontally.</p> <p>46. must be at least 100 mm deep.</p>

Spray Suppression 43

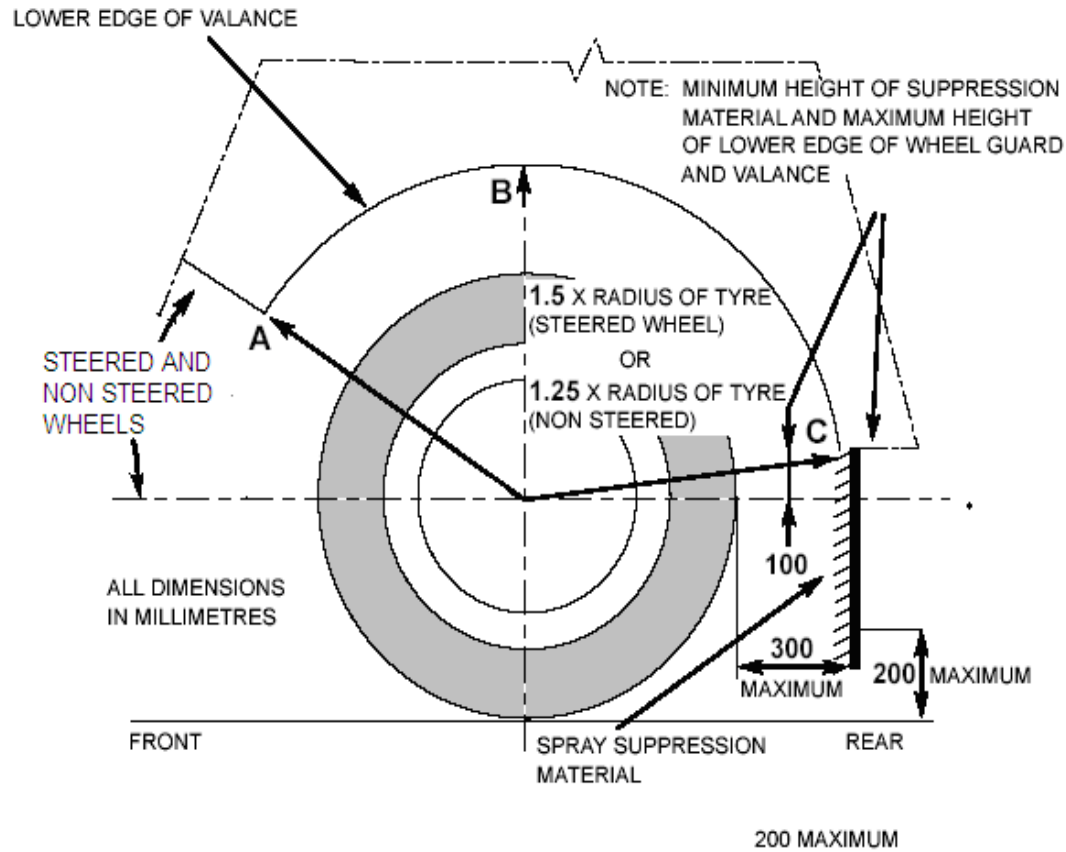


Figure 1

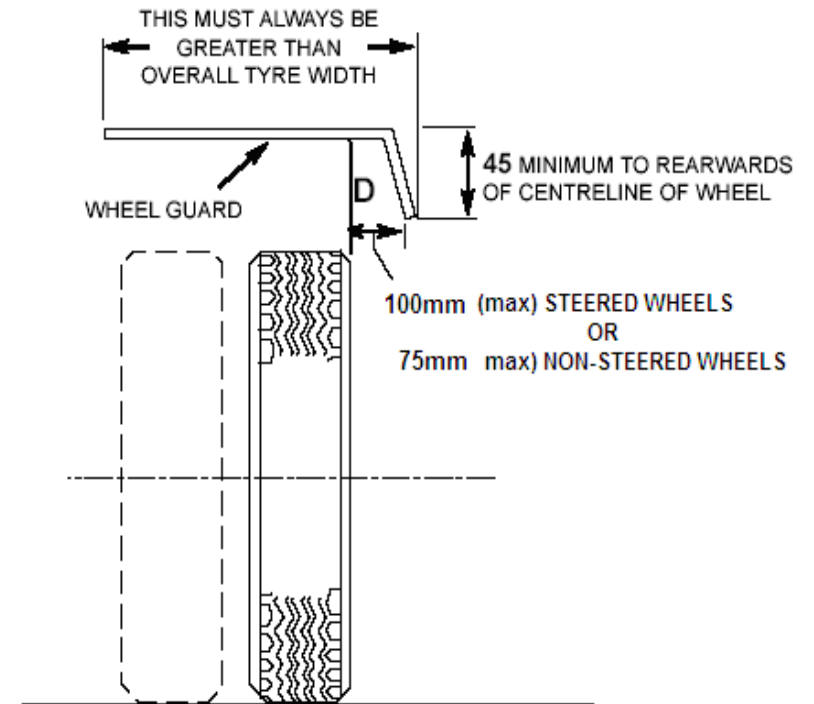
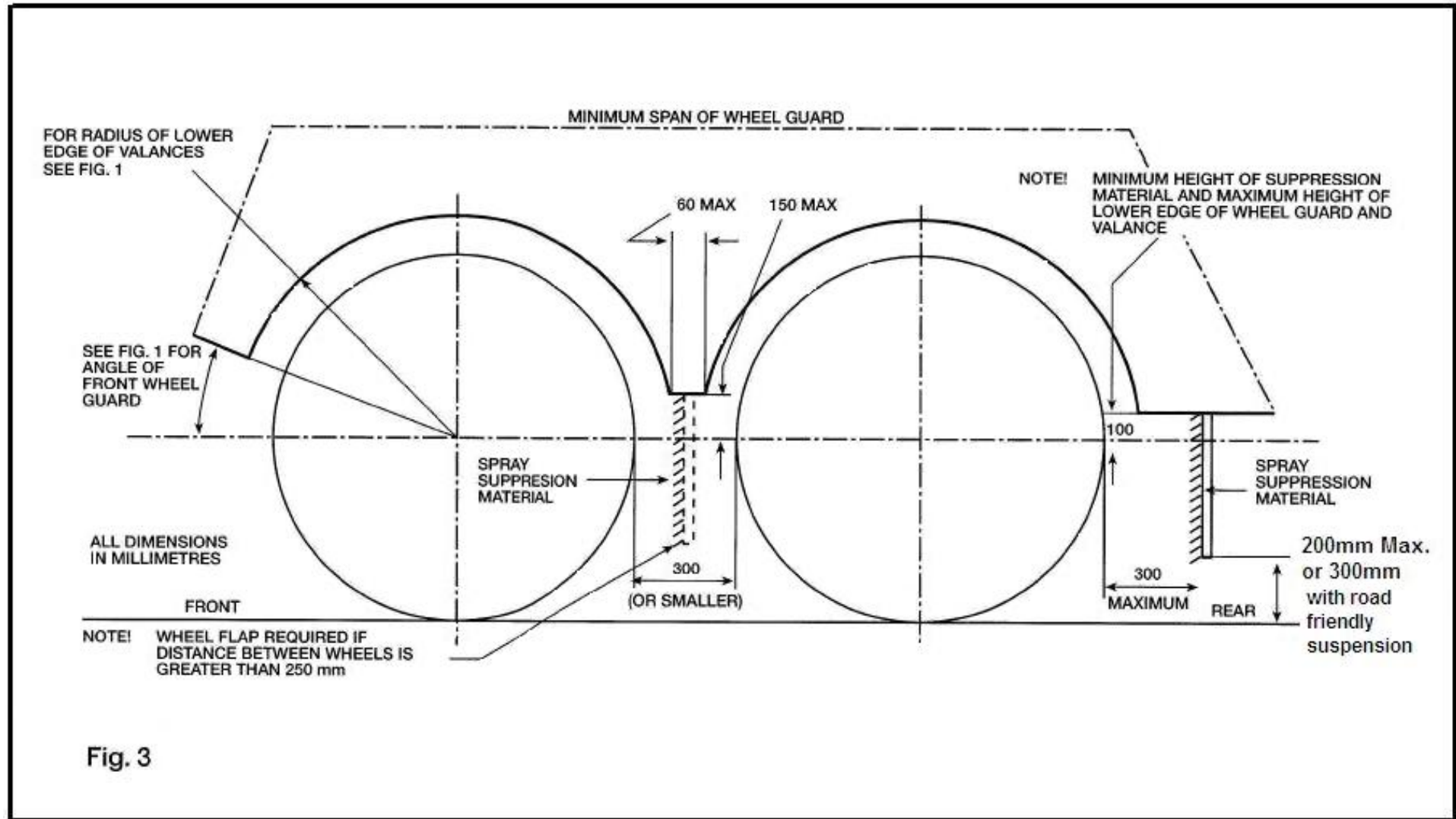
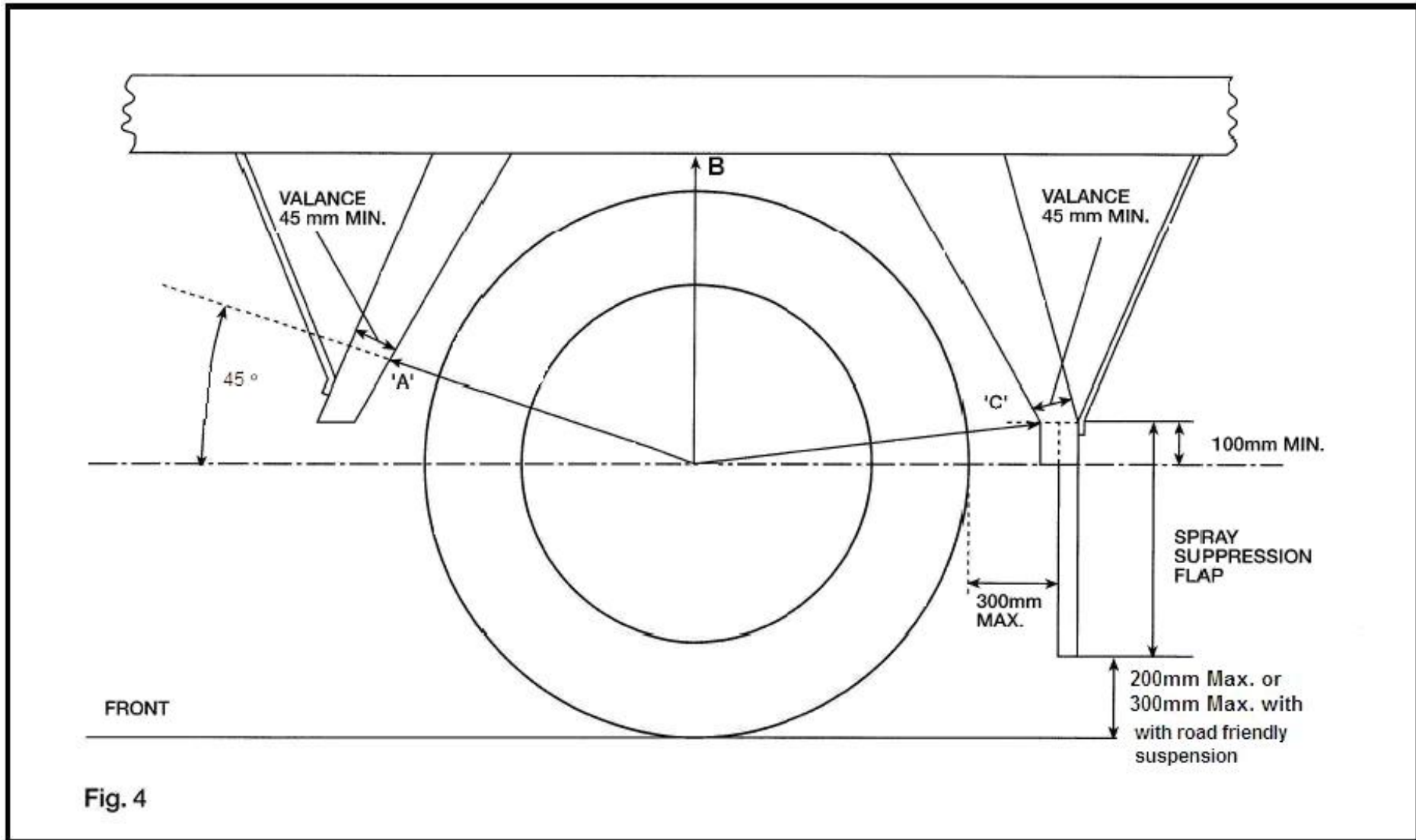


Figure 2

Spray Suppression 43



Spray Suppression 43



The lower edge of the outer valance shall not exceed 1.5 x tyre radius on steerable wheels or 1.25 x tyre radius on non-steerable wheels at points A, B and C.

Spray Suppression 43

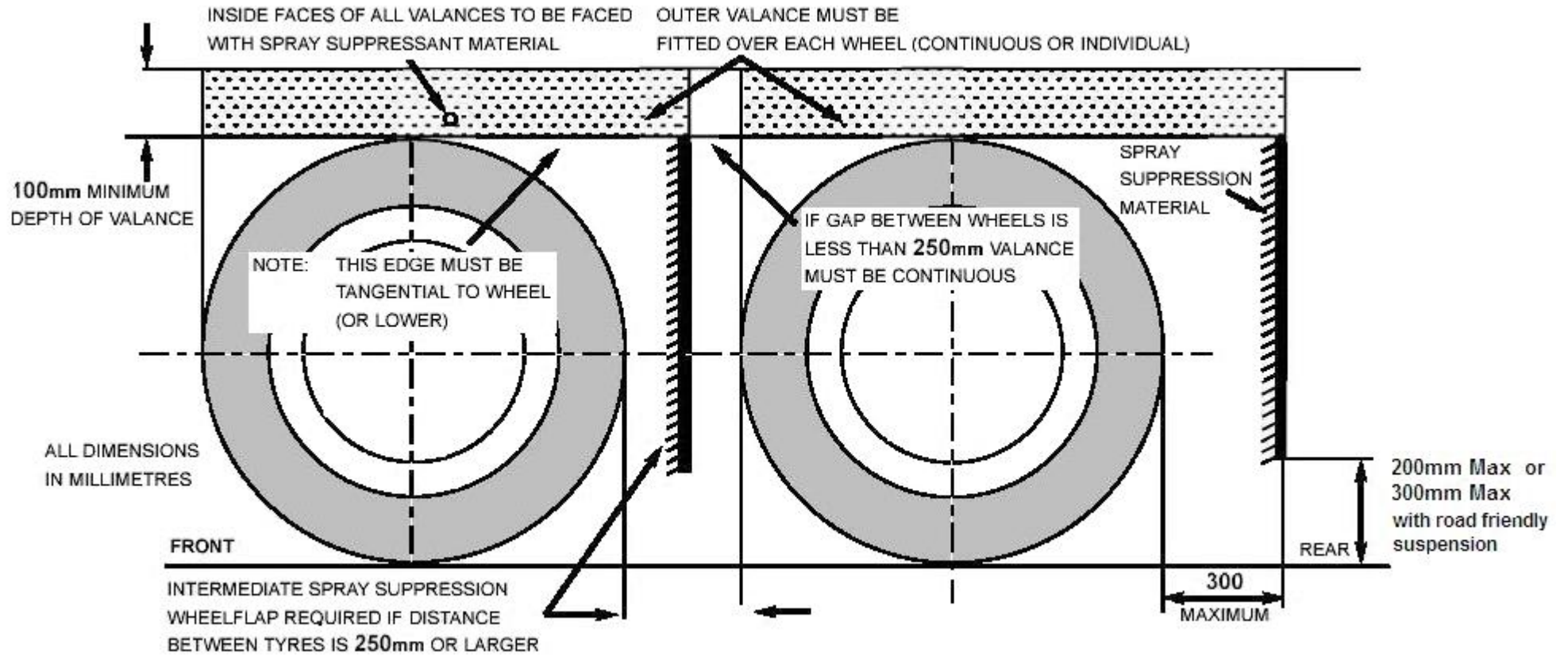
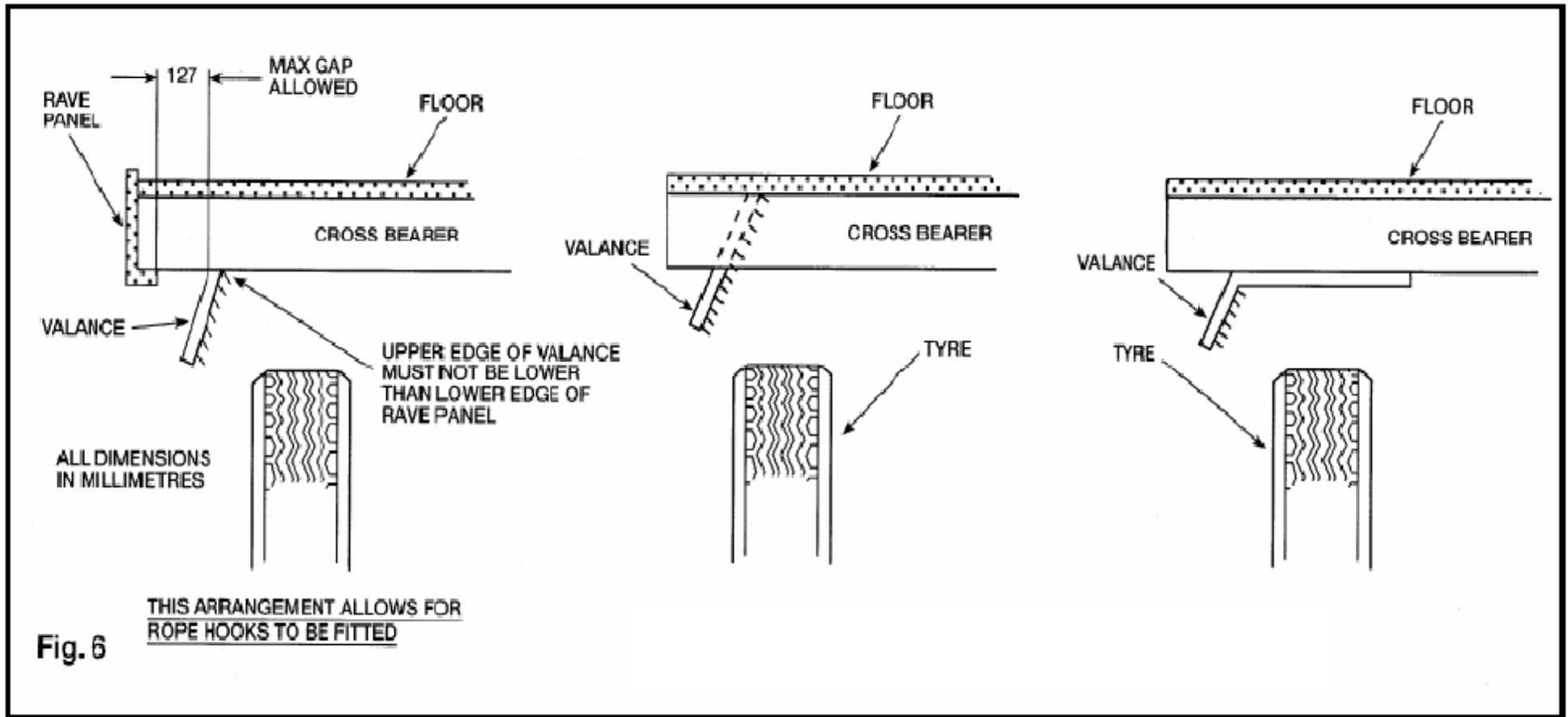


Figure 5

Spray Suppression 43



Spray Suppression 43

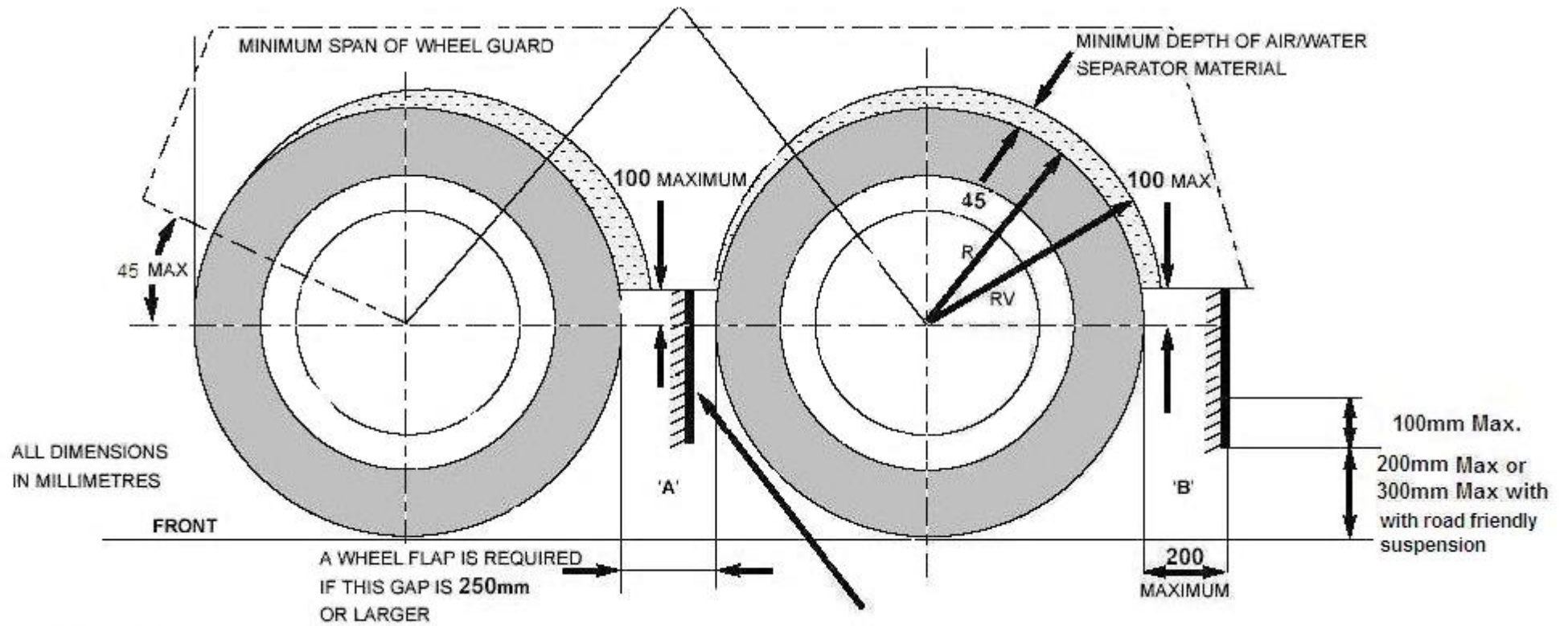


Figure 7

where R = is the radius of tyre fitted to the trailer;
 RV = the radial distance from the lowest edge of the outer valance to the centre of the wheel.


$RV \leq 1.05$ on steered wheels
 $RV \leq 1.00$ on non-steered wheels

Record of Revision

Revision	Date	Description of Change
1	16/04/2009	
2	28/02/2011	Add exemptions
3	29/10/2013	Amend angle of mudguard front edge in RS5 & 6 and in Figures 1, 4 & 7 insert new RS24 & 25
4	29/10/2014	Add STGO Exemption, add Note 4 and change figures 3, 4, 5 and 7

45 Safety Glass

Application: All Trailers

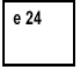

Method of Inspection	Required Standard
<p>Check that all windows are securely attached to the trailer and are constructed from approved materials.</p> <p>The inspection of internally glazed panels applies to a partition or screen divider used in the accommodation / exhibition compartment. It does not apply to such items like; break glass hammer panels, fire extinguisher panels or L.E.D information screens etc. This is not an exhaustive list but is provided as guidance.</p> <p>Note 1: "Safety Glazing" made from glass or plastic must be so constructed or treated that if fractured it does not fly into fragments likely to cause severe cuts. Each piece of glass must display the relevant permanent marking applied by the glass manufacturer.</p> <p style="text-align: center;">  </p> <p>Example of marking</p> <p>Note 2: Exhibition windows and internally glazed panels not exposed when the trailer is in motion are not subject to the automotive marking listed in Note 1, a declaration of the safety standard will be required.</p> <p>Note 3: Double glazed windows for exhibition / mobile broadcast units where the glazing is exposed while the vehicle is in motion need only to have automotive markings on the outer pane of the glazed panel</p> <p>Note 4: Exterior glazing, even when covered by shutters while the trailer is in motion, will need approval to automotive standards.</p>	<ol style="list-style-type: none"> 1. All windows / partitions where fitted must be securely attached to the trailer. 2. All windows / partitions must be made of safety glazing to a recognised standard (not applicable to armoured trailers). See notes 1, 2 , 3 and 4 3. All windows made of safety glass / safety glazing must bear the relevant approval marking applied by the glazing manufacturer (not applicable to armoured trailers). See note 1

Record of Revision

Revision	Date	Description of Change
1	16/04/2009	
2	28/02/2011	Add statement for partitions, delete note 2 and link note 1 to standards
3	30/04/2012	Add note 2 & 3, link to RS 2
4	29/10/2013	Insert new paragraph 3, shutters on windows.

46 Tyres

Application: All Trailers

Method of Inspection	Required Standard
<p>Check each tyre for correct fitment, structure and that it has the correct markings to confirm compliance with the required standards. Where it is not possible to check markings, a declaration will be required from the applicant.</p> <p>Note 1: Structure means the technical characteristics of the tyres carcass, such as diagonal or bias ply, bias belted, Radial, reinforced.</p> <p>Note 2: Type of tyre means tyres which do not differ in such essential respects as Manufacturer's name or trade mark, tyre size designation, category of use (special, snow tyre etc), speed category, load capacity index and tyre cross section.</p> <p>Note 3: Tyres with no category of use designation (special, snow tyre etc), will be deemed to be Normal Use Tyres</p> <p>Annex 1</p> <div style="display: flex; justify-content: space-around;"> <div style="text-align: center;"> <p>EC Type Approval Mark</p> <p>Box should be a minimum of 12mm x 8mm</p>  <p>Letters and numbers, minimum of 4mm high</p> </div> <div style="text-align: center;"> <p>UNECE Type Approval Mark</p> <p>Circle with a minimum diameter of 12mm</p>  <p>Number 4mm high and serial number alongside</p> </div> </div>	<ol style="list-style-type: none"> 1. Each tyre fitted to the trailer, including any spare or temporary use spare, must have the correct approval marks. (Annex 1) 2. The tyre must also be marked with the following information :- Manufacturer's name or trade mark, tyre size designation, category of use (special, snow tyre etc), speed category, load capacity index and tyre cross section. 3. Each of the tyres fitted to a trailer, excluding any temporary use spare, must have the same structure. (see note 1) 4. Each of the tyres fitted to any one axle must be of the same type. (see note 2) 5. Each tyre must have the correct load indices, speed ratings and use markings as appropriate, taking into account the trailer to which it is fitted, and the type of use for the trailer will be subject to. (See note 1,2 and 3 and tables 1, 2 & 4) 6. Each wheel and tyre must have sufficient room to revolve so as to ensure that it is unlikely to foul on any part, taking into consideration the suspension and steering constraints provided by the manufacturer 7. Tyres must be fitted in accordance with the manufacturer's instructions as indicated on the side wall of the tyre.

Method of Inspection	Required Standard
	<p>8. O1 and O2 trailers; the grooves of the tread pattern must be at least 1.6mm in depth throughout a continuous band comprising of the centre $\frac{3}{4}$ of the original breadth of the tread pattern. (excluding wear indicators)</p> <p>9. O3 and O4 trailers; the grooves of the tread pattern must be at least 1mm in depth throughout a continuous band comprising of at least $\frac{3}{4}$ of the original breadth of the tread pattern (excluding wear indicators)</p> <p>10. O1 and O2 trailers fitted with passenger car tyres in single formation, the maximum load rating of every tyre must be at least equal to 0.45 times the maximum mass for the most heavily loaded axle, as declared by the manufacturer of the trailer. For tyres in dual (twin) formation this factor is 0.24. (see table 3 for individual tyre load ratings)</p>

The Minimum required speed ratings are:

Table 1

Class of Trailer	PERMITTED SPEED (MPH)	MINIMUM SPEED SYMBOL
Trailers	60	J
Trailers operating under 2J or 2M tyre use conditions	40	D

Table 2

LOAD INDEX	SINGLE Kg	DUAL Kg	LOAD INDEX	SINGLE Kg	DUAL Kg	LOAD INDEX	SINGLE Kg	DUAL Kg	LOAD INDEX	SINGLE Kg	DUAL Kg
70	670	1340	100	1600	3200	130	3800	7600	160	9000	18000
71	690	1380	101	1650	3300	131	3900	7800	161	9250	18500
72	710	1420	102	1700	3400	132	4000	8000	162	9500	19000
73	730	1460	103	1750	3500	133	4120	8240	163	9750	19500
74	750	1500	104	1800	3600	134	4240	8480	164	10000	20000
75	774	1548	105	1850	3700	135	4360	8720	165	10300	20600
76	800	1600	106	1900	3800	136	4480	8960	166	10600	21200
77	824	1648	107	1950	3900	137	4600	9200	167	10900	21800
78	850	1700	108	2000	4000	138	4720	9440	168	11200	22400
79	874	1748	109	2060	4120	139	4860	9720	169	11600	23200
80	900	1800	110	2120	4240	140	5000	10000	170	12000	24000
81	924	1848	111	2180	4360	141	5150	10300	171	12300	24600
82	950	1900	112	2240	4480	142	5300	10600	172	12600	25200
83	974	1948	113	2300	4600	143	5450	10900	173	13000	26000
84	1000	2000	114	2360	4720	144	5600	11200	174	13400	26800
85	1030	2060	115	2430	4860	145	5800	11600	175	13800	27600
86	1060	2120	116	2500	5000	146	6000	12000	176	14200	28400
87	1090	2180	117	2570	5140	147	6150	12300	177	14600	29200
88	1120	2240	118	2640	5280	148	6300	12600	178	15000	30000
89	1160	2320	119	2720	5440	149	6500	13000	179	15500	31000
90	1200	2400	120	2800	5600	150	6700	13400			
91	1230	2460	121	2900	5800	151	6900	13800			
92	1260	2520	122	3000	6000	152	7100	14200			
93	1300	2600	123	3100	6200	153	7300	14600			
94	1340	2680	124	3200	6400	154	7500	15000			
95	1380	2760	125	3300	6600	155	7750	15500			
96	1420	2840	126	3400	6800	156	8000	16000			
97	1460	2920	127	3500	7000	157	8250	16500			
98	1500	3000	128	3600	7200	158	8500	17000			
99	1550	3100	129	3700	7400	159	8750	17500			

Table 3

Load Index	Max KG	Load Index	Max KG	Load Index	Max KG	Load Index	Max KG	Load Index	Max KG	Load Index	Max KG
0	45	35	121	70	335	105	925	140	2 500	168	5 600
1	46,2	36	125	71	345	106	950	141	2 575	169	5 800
2	47,5	37	128	72	355	107	975	142	2 650	170	6 000
3	48,7	38	132	73	365	108	1 000	143	2 725	171	6 150
4	50	39	136	74	375	109	1 030	144	2 800	172	6 300
5	51,5	40	140	75	387	110	1 060	145	2 900	173	6 500
6	53	41	145	76	400	111	1 090	146	3 000	174	6 700
7	54,5	42	150	77	412	112	1 120	147	3 075	175	6 900
8	56	43	155	78	425	113	1 150	148	3 150	176	7 100
9	58	44	160	79	437	114	1 180	149	3 250	177	7 300
10	60	45	165	80	450	115	1 215	150	3 350	178	7 500
11	61,5	46	170	81	462	116	1 250	151	3 450	179	7 750
12	63	47	175	82	475	117	1 285	152	3 550	180	8 000
13	65	48	180	83	487	118	1 320	153	3 650	181	8 250
14	67	49	185	84	500	119	1 360	154	3 750	182	8 500
15	69	50	190	85	515	120	1 400	155	3 875	183	8 750
16	71	51	195	86	530	121	1 450	156	4 000	184	9 000
17	73	52	200	87	545	122	1 500	157	4 125	185	9 250
18	75	53	206	88	560	123	1 550	158	4 250	186	9 500
19	77,5	54	212	89	580	124	1 600	159	4 375	187	9 750
20	80	55	218	90	600	125	1 650	160	4 500	188	10 000
21	82,5	56	224	91	615	126	1 700	161	4 625	189	10 300
22	85	57	230	92	630	127	1 750	162	4 750	190	10 600
23	87,5	58	236	93	650	128	1 800	163	4 875	191	10 900
24	90	59	240	94	670	129	1 850	164	5 000	192	11 200
25	92,5	60	250	95	690	130	1 900	165	5 150	193	11 500
26	95	61	257	96	710	131	1 950	160	4 500	194	11 800
27	97,5	62	265	97	730	132	2 000	161	4 625	195	12 150
28	100	63	272	98	750	133	2 060	162	4 750	196	12 500
29	103	64	280	99	775	134	2 120	163	4 875	197	12 850
30	106	65	290	100	800	135	2 180	164	5 000	198	13 200
31	109	66	300	101	825	136	2 240	165	5 150	199	13 600
32	112	67	307	102	850	137	2 300	160	4 500	200	14 000
33	115	68	315	103	875	138	2 360	166	5 300		
34	118	69	325	104	900	139	2 430	167	5 450		

Note: This indicates the maximum load each tyre can carry.

Table 4 (for variation of load capacity for STGO)

Speed (km/h)	Variation of load capacity (%)				
	All load indices			Load indices ⁽¹⁾ ≥ 122	Load indices ⁽¹⁾ ≤ 121
	Speed category symbol			Speed category symbol	Speed category symbol
	F	G	J, K	L, M	L, M, N, P
0	+ 150	+ 150	+ 150	+ 150	+ 110
5	+ 110	+ 110	+ 110	+ 110	+ 90
10	+ 80	+ 80	+ 80	+ 80	+ 75
15	+ 65	+ 65	+ 65	+ 65	+ 60
20	+ 50	+ 50	+ 50	+ 50	+ 50
25	+ 35	+ 35	+ 35	+ 35	+ 42
30	+ 25	+ 25	+ 25	+ 25	+ 35
35	+ 19	+ 19	+ 19	+ 19	+ 29
40	+ 15	+ 15	+ 15	+ 15	+ 25
45	+ 13	+ 13	+ 13	+ 13	+ 22
50	+ 12	+ 12	+ 12	+ 12	+ 20
55	+ 11	+ 11	+ 11	+ 11	+ 17,5
60	+ 10	+ 10	+ 10	+ 10	+ 15
65	+ 7,5	+ 8,5	+ 8,5	+ 8,5	+ 13,5
70	+ 5	+ 7	+ 7	+ 7	+ 12,5
75	+ 2,5	+ 5,5	+ 5,5	+ 5,5	+ 11
80	0	+ 4	+ 4	+ 4	+ 10
85	- 3	+2	+ 3	+ 3	+ 8,5

(¹) The load capacity indices refer to single operations.

Record of Revision

Revision	Date	Description of Change
1	16/04/2009	
2	28/02/2011	Re word RS 08 and 09, link Table 3 to RS 10
3	29/10/2014	Add new tyre tables 1,2 and 4

48A Masses and Dimensions

Application: All Trailers

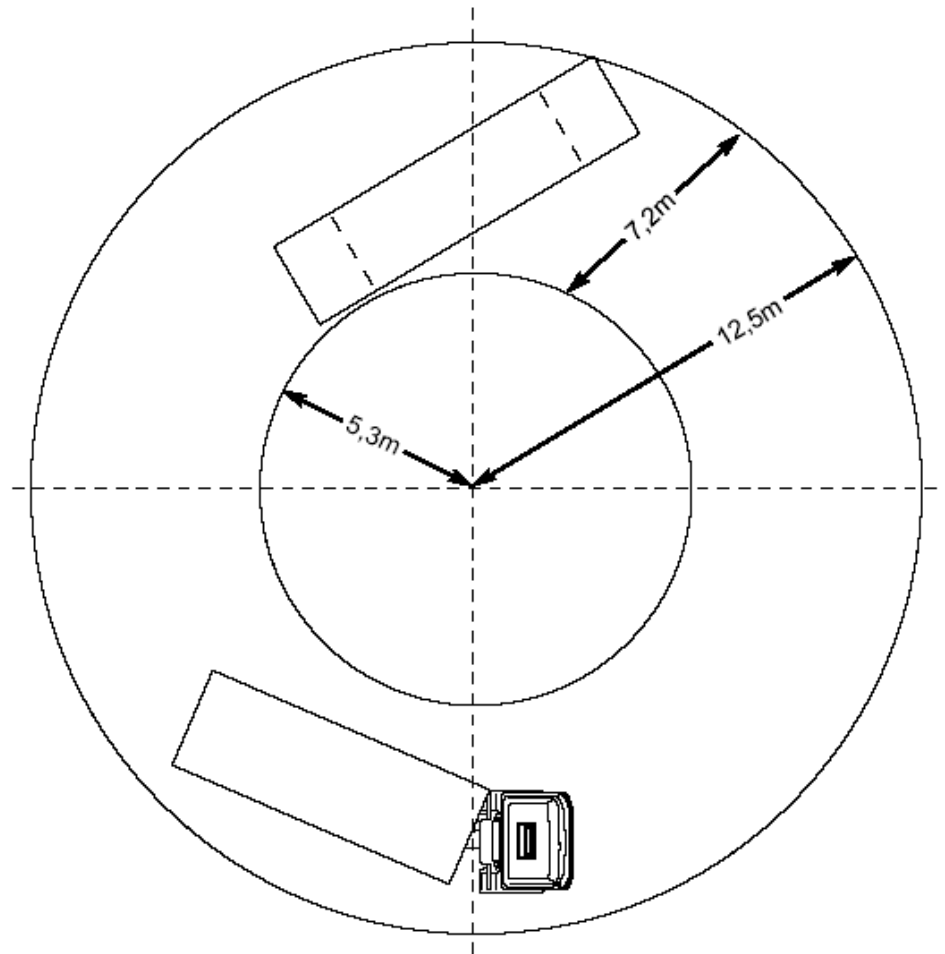
Method of Inspection	Required Standard																								
<p>This inspection is to ensure that the trailer as presented has satisfactory evidence of compliance to the required standard and has not been subject to modifications that may invalidate any approval held</p> <p>Trailers complying with the Road Vehicles (Authorisation of Special Types)(General) Order 2003 or the Motor Vehicles (Authorisation of Special Types) Order (Northern Ireland) 1997 are exempt from any of the standards which they are unable to comply with due to their special purpose.</p> <p>A Plating examination under the Goods Vehicle (Plating and Testing) Regulations 1988 must be carried out during the IVA examination, and a Plating certificate issued after the IVA certificate is issued. This does not apply in the case of trailers exempted from Plating, and trailers intended to be based in Northern Ireland. In these cases the Statutory Plate prescribed in Section 18 of this manual must have 2 columns, one for maximum GB/NI weights and one for maximum technically permissible weights (if different).</p> <p>Note 1: An O2 Glider transporter trailer is permitted to exceed the 7000mm length limit and be towed by a normal vehicle.</p> <p>Note 2: In the case of a semi-trailer which is designed to carry at least 2 other wheeled vehicles, (car transporter), for the distance mentioned in Table I (12000mm), shall be substituted 12500mm and (2040mm), shall be substituted 4190mm</p>	<p>Dimensions:</p> <p>1. The trailer must not exceed the maximum authorised dimensions shown in the table below. (See notes 1 & 2)</p> <table border="1" style="width: 100%; border-collapse: collapse; margin-top: 10px;"> <thead> <tr style="background-color: #cccccc;"> <th style="width: 30%;">Category</th> <th style="width: 35%;">WIDTH See Annex 1</th> <th style="width: 35%;">LENGTH See Annex 1</th> </tr> </thead> <tbody> <tr> <td style="text-align: center;">O1</td> <td style="text-align: center;">2550mm</td> <td style="text-align: center;">7000mm (A)</td> </tr> <tr> <td style="text-align: center;">O2</td> <td style="text-align: center;">2550mm (B)</td> <td style="text-align: center;">7000mm(A)</td> </tr> <tr> <td style="text-align: center;">O3/O4 Rigid Trailer</td> <td style="text-align: center;">2550mm (B)</td> <td style="text-align: center;">12000mm</td> </tr> <tr> <td style="text-align: center;">O3/O4 Low Loader Semi-Trailer</td> <td style="text-align: center;">2550mm (B)</td> <td style="text-align: center;">13500mm (C)</td> </tr> <tr> <td style="text-align: center;">O3/O4 Car Transporter Semi-Trailer</td> <td style="text-align: center;">2550mm</td> <td style="text-align: center;">12500mm (C)</td> </tr> <tr> <td style="text-align: center;">Any other O3/O4 Semi-Trailer</td> <td style="text-align: center;">2550mm (B)</td> <td style="text-align: center;">12000mm (C)</td> </tr> <tr> <td style="text-align: center;">All Semi-trailers, in addition to the above</td> <td style="text-align: center;">2550mm</td> <td style="text-align: center;">2040mm (D) (See note 2)</td> </tr> </tbody> </table>	Category	WIDTH See Annex 1	LENGTH See Annex 1	O1	2550mm	7000mm (A)	O2	2550mm (B)	7000mm(A)	O3/O4 Rigid Trailer	2550mm (B)	12000mm	O3/O4 Low Loader Semi-Trailer	2550mm (B)	13500mm (C)	O3/O4 Car Transporter Semi-Trailer	2550mm	12500mm (C)	Any other O3/O4 Semi-Trailer	2550mm (B)	12000mm (C)	All Semi-trailers, in addition to the above	2550mm	2040mm (D) (See note 2)
Category	WIDTH See Annex 1	LENGTH See Annex 1																							
O1	2550mm	7000mm (A)																							
O2	2550mm (B)	7000mm(A)																							
O3/O4 Rigid Trailer	2550mm (B)	12000mm																							
O3/O4 Low Loader Semi-Trailer	2550mm (B)	13500mm (C)																							
O3/O4 Car Transporter Semi-Trailer	2550mm	12500mm (C)																							
Any other O3/O4 Semi-Trailer	2550mm (B)	12000mm (C)																							
All Semi-trailers, in addition to the above	2550mm	2040mm (D) (See note 2)																							

Masses and Dimensions 48A

Method of Inspection	Required Standard
<p>Note 3: In most cases a trailer submitted for test will be unladen and will be obviously well within the permissible weights set out in Annex 1 to section 18. However, if it seems likely that the trailer or an axle (as presented) exceeds any of these weights, the trailer should be weighed or a weight ticket requested.</p> <p>Note 4: Satisfactory documentary evidence or a declaration from the trailer assembler should be provided, stating that the trailer complies with this standard</p> <p>Note 5: Check that the trailer combination is able to manoeuvre a complete circular trajectory of 360 degrees inside an area defined by two concentric circles, without any of the vehicles outermost points projecting outside the circumferences of the circles (See figure 1). This must be completed on both steering locks</p> <p>The outer circle having a radius of 12.50 metres</p> <p>The inner circle having a radius of 5.30 metres</p> <p>Note 6: A semi-trailer is deemed to comply with the requirements if its wheelbase is not greater than the sum below</p> $\sqrt{(12.50 - 2.04)^2 - (5.30 + L / 2)^2}$ <p>The wheelbase being measured for the purpose of this section is the distance of the axis of the fifth-wheel king-pin to the centre line of the non steering axles bogie</p> <p>L being the trailer width in metres</p>	<div style="border: 1px solid black; padding: 5px; margin-bottom: 10px;"> <p>(A) Length of 12000mm is permitted, but only if the trailer is to be towed solely by vehicles with GVW exceeding 3500kg, in line with Regulation 7 of the Road Vehicles (Construction and Use) Regulations 1986 and in addition the trailer must have at least 4 wheels. (at least 2 axles) A trailer this size must be accompanied to test by a suitable towing vehicle, otherwise a refusal to test will be issued.(See note 1)</p> <p>(B) 2600mm for the superstructure of trailers designed for transport of goods under controlled temperatures and trailer caravans.</p> <p>(C) measured from the fifth-wheel king pin to the rear of the semi-trailer</p> <p>(D) measured from the fifth-wheel king pin to the forward-most point of the semi-trailer</p> </div> <p>2. The displayed dimensions as shown on the Dimensions plate (or manufacturer's plate, see section 18) must be within 5% of the trailer dimensions as presented.</p> <p>Masses:</p> <p>3. In the case of a trailer subject to Plating, the trailer or axle weights as presented must not exceed the maximums authorised to be issued on the Plating certificate. (See note 3)</p> <p>4. In the case of a trailer not subject to Plating, the trailer or axle weights as presented must not exceed the maximums marked on the Statutory Plate prescribed in section 18 of this manual. (See note 3).</p> <p>5. For a trailer exceeding 3500kg gross weight, or a semi-trailer, it must be verified that the trailer has a facility such that its power brakes can be operated by the towing vehicle.</p>

Masses and Dimensions 48A

Method of Inspection	Required Standard
<p>Note 7: The following trailers are exempt from standard 7</p> <p>A semi-trailer low loader: A semi-trailer step-frame low loader.</p> <p>Note 8: In the case of a car transporter (see Note 2), it must comply with standard 7, except that any part of the semi-trailer forward of the transverse plane passing through the king pin may be ignored</p>	<p>Installation of retractable or loadable axles:</p> <p>6. If a trailer is fitted with one or more loadable axles, satisfactory evidence must be provided stating that under all driving conditions, the axle will lower to the ground automatically when the front axle or the nearest axle of a group of axles is loaded. See note 4</p> <p>Turning Circle Requirements: (O3 & O4 semi trailers only)</p> <p>7. The trailer combination must be able to manoeuvre for a complete circular trajectory of 360 degrees within the defined area (with the exception of the protruding parts prescribed for the trailer width shown in Annex 1) (See notes 5 & 6, 7, 8 & figure 1)</p>



Annex 1

A - Items to be excluded when measuring Length	B - Items to be excluded when measuring Width
<p>—rear registration plates, — lighting equipment, — access steps and hand-holds, — lifting platforms, access ramps and similar equipment in <i>running order</i> (i.e. in the position they would be on a moving trailer), not exceeding 300 mm, provided that the loading capacity of the trailer is not increased, see note below</p> <p>Note: Loading ramps of more than 300mm are permitted as long as the length of the trailer is reduced to accommodate this extra depth, (under no circumstances can these larger ramps be fitted to a trailer constructed to the maximum length as shown in table 1) i.e. An O4 semi trailer requiring ramps of 450mm will need to reduce the maximum length from 12000mm to 11850mm.</p> <p>— coupling devices, - the drawbar or drawbeam can be classed as the coupling device and thus excluded when the measurement takes place (unless it has a function beyond being a coupling device - e.g. it has a box on it which carries a load). — wheel chocks on car transporters</p>	<p>— tyre-pressure or tyre failure indicators, — protruding flexible parts of wheel guards — lighting equipment, —access ramps in <i>running order</i> (i.e. in the position they would be on a moving trailer), provided that they do not exceed 10 mm from the side of the trailer, — retractable steps, — the deflected part of the tyre walls immediately above the point of contact with the ground, — handles and hinges of external lockers, — trim protruding not more than 10mm from the bodywork, — Devices for securing a tarpaulin/load cover and their protection not projecting by more than 20 mm where they are no more than 2,0 m from the ground level and no more than 50 mm where they are more than 2,0 m from the ground level. The edges shall be rounded to a radius of not less than 2,5 mm. — on trailer caravans: "slide-out" sections, — on trailer caravans: awnings (including their support arms), provided that any part more than 1m from the ground does not exceed 50mm, and any part more than 2m from the ground does not exceed 100mm, from the side of the vehicle.</p>

Masses and Dimensions 48A

Record of Revision

Revision	Date	Description of Change
1	16/04/2009	
2	28/02/2011	Add more items to width exemptions in Annex 1, link notes to standards and add new text to MOI
3	30/04/2012	Amend dimensions of trailer in table of RS 1
4	29/10/2012	Amend RS1 and add items to Annex 1B
5	29/10/2013	Insert new paragraph in Mol, amend notes 1, 2 & 8, update table in RS1 and Annexes 1A & B
6	29/10/2014	Rename section 48A, Amend MOI and Table 1 to accomdate the new sections 48B and 48C. Add new statement to Annex 1

Masses and Dimensions 48A

48B Masses and Dimensions: Over-length AIL Trailers

Application: C&U trailers (P&T) of exceptional length which could also be dual plated for STGO usage as well.

Method of Inspection	Required Standard						
<p>This inspection is to ensure that the trailer as presented has satisfactory evidence of compliance to the required standard and has not been subject to modifications that may invalidate any approval held</p> <p>A Plating examination under the Goods Vehicle (Plating and Testing) Regulations 1988 may be carried out during the IVA examination, and a Plating certificate issued after the IVA certificate is issued. This does not apply in the case of trailers exempted from Plating, and trailers intended to be based in Northern Ireland. In these cases the Statutory Plate prescribed in Section 18 of this manual must have 2 columns, one for maximum GB/NI weights and one for maximum technically permissible weights (if different).</p> <p>Note 1: There is no length limit for a trailer constructed to carry indivisible loads of exceptional length, although the combination (trailer plus towing vehicle) cannot exceed 27.4m under C&U regulations.</p> <p>Note 2: An <i>indivisible load</i> is a load that cannot without undue expense or risk of damage be divided into two or more loads for the purpose of being carried on a road, and cannot on account of its length be safely carried on a trailer which is 12m long.</p> <p>Note 3: The Statutory Plate should contain the text at RS 7 of section 18</p>	<p>Dimensions:</p> <ol style="list-style-type: none"> 1. The trailer must not exceed the maximum authorised dimensions shown in the table below. (See notes 1 & 2) <table border="1" style="width: 100%; border-collapse: collapse; margin: 10px 0;"> <thead> <tr style="background-color: #d3d3d3;"> <th style="width: 33%; text-align: center;">Category</th> <th style="width: 33%; text-align: center;">WIDTH See Annex 1</th> <th style="width: 33%; text-align: center;">LENGTH See Annex 1</th> </tr> </thead> <tbody> <tr> <td style="text-align: center;">Standard</td> <td style="text-align: center;">2550mm</td> <td style="text-align: center;">27400mm See Note 1</td> </tr> </tbody> </table> <ol style="list-style-type: none"> 2. The displayed dimensions as shown on the Dimensions plate (or manufacturer's plate, see section 18) must be within 5% of the trailer dimensions as presented, and width must not exceed 2550mm. See note 3 <p>Masses:</p> <ol style="list-style-type: none"> 3. In the case of a trailer subject to Plating, the trailer or axle weights as presented must not exceed the maximums authorised to be issued on the Plating certificate. See note 4 4. In the case of a trailer not subject to Plating, the trailer or axle weights as presented must not exceed the maximums marked on the Statutory Plate prescribed in section 18 of this manual. See note 4 5. For a trailer exceeding 3500kg gross weight, or a semi-trailer, it must be verified that the trailer has a facility such that its power brakes can be operated by the towing vehicle. 	Category	WIDTH See Annex 1	LENGTH See Annex 1	Standard	2550mm	27400mm See Note 1
Category	WIDTH See Annex 1	LENGTH See Annex 1					
Standard	2550mm	27400mm See Note 1					

Masses and Dimensions 48B

Method of Inspection	Required Standard
<p>Note 4: In most cases a trailer submitted for test will be unladen and will be obviously well within the permissible weights set out in Annex 1 to section 18. However, if it seems likely that the trailer or an axle (as presented) exceeds any of these weights, the trailer should be weighed or a weight ticket requested.</p> <p>Note 5: Satisfactory documentary evidence or a declaration from the trailer assembler should be provided, stating that the trailer complies with this standard</p>	<p>Installation of retractable or loadable axles:</p> <p>6. If a trailer is fitted with one or more loadable axles, satisfactory evidence must be provided stating that under all driving conditions, the axle will lower to the ground automatically when the front axle or the nearest axle of a group of axles is loaded. See note 5</p>

Record of Revision

Revision	Date	Description of Change
1	29/10/2014	New Section

This page intentionally left blank

48C Masses and Dimensions: STGO over-width or over-width *and* over-length

Application: Wide or wide and long trailers, capable of STGO Cat 1, Cat 2 and/or Cat 3 operation. Not plated

Method of Inspection	Required Standard									
<p>This inspection is to ensure that the trailer as presented has satisfactory evidence of compliance to the required standard and has not been subject to modifications that may invalidate any approval held</p> <p>Note 1: In most cases a trailer submitted for test will be unladen and will be obviously well within the permissible weights set out in Annex 1 to section 18. However, if it seems likely that the trailer or an axle (as presented) exceeds any of these weights, the trailer should be weighed or a weight ticket requested.</p> <p>Note 2: Satisfactory documentary evidence or a declaration from the trailer assembler should be provided, stating that the trailer complies with this standard</p> <p>Note 3: For a 'wide' trailer the width must be 2551mm or greater. The Statutory Plate should contain the text at RS 8 of section 18</p>	<p>Dimensions:</p> <ol style="list-style-type: none"> The trailer must not exceed the maximum authorised dimensions shown in the table below. <table border="1" style="margin-left: 40px; border-collapse: collapse; text-align: center;"> <thead> <tr style="background-color: #e0e0e0;"> <th style="width: 30%;">Category</th> <th style="width: 35%;">WIDTH See Annex 1</th> <th style="width: 35%;">LENGTH See Annex 1</th> </tr> </thead> <tbody> <tr> <td>Large</td> <td>6100mm</td> <td>30000mm</td> </tr> <tr> <td>Extreme O4</td> <td>(A)</td> <td>(A)</td> </tr> </tbody> </table> <p>(A) These vehicles will be assessed on a case by case basis and can be outside of the maximum dimensions requirements of 'Large'</p> <ol style="list-style-type: none"> The displayed dimensions as shown on the Dimensions plate (or manufacturer's plate, see section 18) must be within 5% of the trailer dimensions as presented, and must not be below the regulated legal limits. See note 3 <p>Masses:</p> <ol style="list-style-type: none"> The trailer or axle weights as presented must not exceed the maximums marked on the Statutory Plate prescribed in section 18 of this manual. See note 1 <p>Installation of retractable or loadable axles:</p> <ol style="list-style-type: none"> If a trailer is fitted with one or more loadable axles, satisfactory evidence must be provided stating that under all driving conditions, the axle will lower to the ground automatically when the front axle or the nearest axle of a group of axles is loaded. See note 2 	Category	WIDTH See Annex 1	LENGTH See Annex 1	Large	6100mm	30000mm	Extreme O4	(A)	(A)
Category	WIDTH See Annex 1	LENGTH See Annex 1								
Large	6100mm	30000mm								
Extreme O4	(A)	(A)								

Record of Revision

Masses and Dimensions: STGO 48C

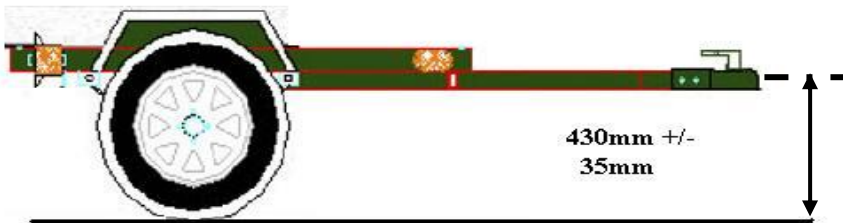
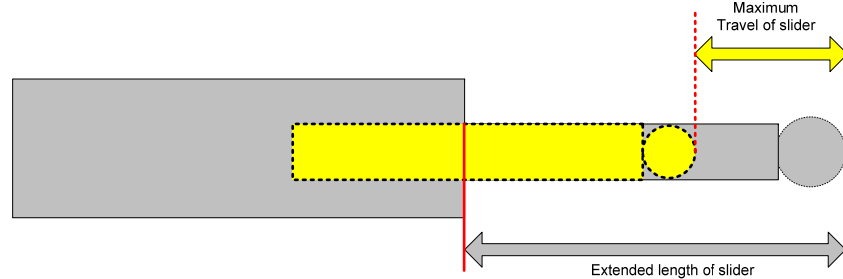
Revision	Date	Description of Change
1	29/10//2014	New Section

50A Couplings

Application: All O1 & O2 Trailers

Method of Inspection	Required Standard
<p>The coupling device must be accompanied by installation and operating instructions to ensure it is correctly installed and can be operated safely.</p> <p>Note 1: Check that the correct type of coupling head is fitted to the trailer, normally this will be Class B (50mm ball), Class D (eye) but Class S (non standard) is also acceptable.</p> <p>Check for the correct ‘e’ or “E” markings and that the coupling head is installed correctly in accordance with the manufacturer’s instructions.</p> <p>When checking the security of the coupling pay attention to:-</p> <ul style="list-style-type: none"> • The number and grade of securing bolts required • Whether appropriate reinforcement or load spreader plates are fitted. <p>It may be necessary to have both the trailer and the coupling manufacturers instructions available to ensure assessment of correct installation</p> <p>Check the height of the coupling head above the ground</p>	<ol style="list-style-type: none"> 1. The coupling device and mounting bracket (if applicable) must be of an approved class and type suitable for the trailer. (See Note 1) 2. A secondary coupling must be fitted to all unbraked trailers. Note 2 3. The secondary retaining device must be fitted with an attachment device that enables the cable to be fitted to any suitable drawing vehicle 4. The secondary coupling must prevent the main coupling from engaging the road surface in the case of detachment from the drawing vehicle 5. The coupling device must bear an ‘e’ or ‘E’ mark to ensure the construction of the coupling device meets the appropriate approval criteria. 6. The coupling device must be securely mounted to the trailer in accordance with the manufacturer’s instructions. 7. With the trailer horizontal and resting on a level surface, Class B coupling heads must be attached so that the coupling point of the trailer is 430+/- 35mm above the ground. (see notes 3 & 4 & figure 1) 8. The coupling head must be capable of safe operation in accordance with the operating instructions and within the dimensions as shown in the diagram below 9. Any over-run coupling must be positioned correctly on the drawbar to allow the maximum travel to be achievable without obstruction. (See example in Figure 2)

Couplings 50A

Method of Inspection	Required Standard
<p>Check that a secondary retaining device is fitted to all trailers and is fitted with an attachment device such as a snap clip, carabena or shackle.</p> <p>Check that the coupling head can be operated safely within the free space of the coupling ball shown in diagram in standards.</p> <p>Note 2: A secondary coupling can only be used on braked trailers not fitted with a breakaway cable with a maximum mass not exceeding 1.5 tonnes. This cable attaches the trailer to the towing vehicle whilst towing and provides a secondary link. A secondary coupling is a legal requirement for all unbraked trailers.</p> <p>Note 3: In the case of caravans and goods trailers, the horizontal position is regarded as when the floor or loading surface is horizontal. In the case of trailers without such a reference surface, the trailer manufacturer must give an appropriate reference line defining the horizontal position</p> <p>Note 4: In the case of trailers designed and constructed for use with 'off road' vehicles this measurement does not apply (evidence will be requested)</p> <p>Semi Trailers</p> <p>Note 5: The coupling device must be accompanied by installation instructions from the trailer manufacturer and / or manufacturer of the fifth wheel pin, to ensure it is correctly installed.</p> <p>Note 6: It may not be possible to fully examine the installation of a fifth wheel coupling pin. In these cases documentary evidence of compliance will be required</p>	<p>Figure 1</p> <p>With the trailer level measure the height of the coupling</p>  <p>Figure 2</p>  <p>Semi Trailers</p> <ol style="list-style-type: none"> The fixing of the fifth wheel coupling pin in the mounting plate on the semi – trailer must be as instructed by the trailer manufacturer and / or manufacturer of the fifth wheel pin. (See notes 5 & 6) Semi trailers must be equipped with secure landing gear or other equipment to allow safe uncoupling and parking.

Couplings 50A

Record of Revision

Revision	Date	Description of Change
1	16/04/2009	
2	30/04/2012	Add Note 5, add new acceptable category of coupling head in Mol
3	29/10/2012	Amend paragraphs 2 & 3 in the Mol, revise note numbering, amend tolerance in RS7 & Figure 1 and Add Semi trailer details
4	29/10/2013	Amend RS7, insert new RS9 and Figure 2

This page intentionally left blank

50B Couplings

Application: All O3 & O4 Trailers

Method of Inspection	Required Standard
<p>This inspection is to ensure that the coupling device is of an approved type, has the correct markings, and is accompanied by manufacturer’s installation instructions. Semi trailer support gear (i.e. landing legs) and draw bar adjusting devices should be checked for compliance with RS 4 for semi trailers and RS 6 for drawbar.</p> <p>Note 1: The coupling device must be accompanied by installation instructions from the trailer manufacturer and / or manufacturer of the fifth wheel pin, to ensure it is correctly installed.</p> <p>Note 2: It may not be possible to fully examine the installation of a fifth wheel coupling pin. In these cases documentary evidence of compliance will be required</p>	<ol style="list-style-type: none"> 1. The coupling device must bear an ‘e’ or ‘E’ mark, and be accompanied by relevant installation instructions (See note 1 & 2) 2. The coupling device must be designed to work safely at the Max GB gross weight of the trailer, as identified in section 18 of this manual. <p>Semi Trailers</p> <ol style="list-style-type: none"> 3. The fixing of the fifth wheel coupling pin in the mounting plate on the semi –trailer must be as instructed by the trailer manufacturer and / or manufacturer of the fifth wheel pin. (See note 1 & 2) 4. Semi trailers must be equipped with secure landing gear or other equipment to allow safe uncoupling and parking. <p>Drawbar Trailers</p> <ol style="list-style-type: none"> 5. The fixing of the drawbar eye onto the drawbar frame must be as instructed by the trailer manufacturer and / or manufacturer of the draw bar eye. 6. The drawbar eye or coupling head on hinged drawbars must rest at least 200mm from the ground when released from the horizontal position.

Couplings 50B

Method of Inspection	Required Standard
	<ol style="list-style-type: none"><li data-bbox="1198 231 2094 335">7. If a hinged drawbar is equipped with a device for adjusting the drawbar to the height of the coupling. The device must be able to be operated by one person without any tools or other aids.<li data-bbox="1198 367 2094 502">8. For height adjusting devices that provide adjustment for at least 300mm upwards and downwards from the horizontal then the drawbar must be adjustable in steps no greater than 50mm at the coupling or eye.<li data-bbox="1198 534 2094 606">9. The height adjusting device must not interfere with easy movement of the drawbar after coupling.

Record of Revision

Revision	Date	Description of Change
1	16/04/2009	
2	28/02/2011	Reword note 2 and link standards to notes

This page intentionally left blank

General Construction

Application: All Trailers subject to IVA requirements

Method of Inspection	Required Standard
<p>The following section assesses the trailers suitability for use under all normal operating conditions, including when it is laden to its maximum permitted axle/gross vehicle weight and considers the effects of vibrations and the forces imposed by its design speed, acceleration characteristics, braking and cornering. The trailer at all times must present no danger to other road users.</p> <p>All components and attachment methods will be compared to those employed on ECWVTA trailers. This does not prevent a manufacturer utilizing other construction methods or materials providing they offer at least the equivalent performance of those employed on an approved trailer.</p> <p>Note 1 This assessment includes any form of attachments of any component or the assembly of a structure itself, the strength and suitability of materials used including pipes etc and any fastening, welds, bonding, rivets, nuts and bolts etc are to be assessed for their ability to perform their function as intended and must be suitable, complete and fully secured as intended.</p> <p>Note 2 When assessing a component for leaks the original design of the component will be taken into consideration.</p> <p>Note 3: This does not apply to control leads (fly leads) used on specialised equipment i.e. power ramps and lifts.</p>	<ol style="list-style-type: none"> 1. All aspects of the design and construction of the trailer must be such that no Immediate danger is caused or likely to be caused to any person in the trailer or to other road users 2. When towed, the safe control of the trailer or its towing vehicle must not be impaired or likely to be impaired, due to a design or construction feature of characteristic. 3. The trailer structure and all components including their attachment must be suitable and of adequate strength. (see note 1) 4. A transmission/braking component which rotates during vehicle operation, electrical component, steering or suspension component, wheel or tyre must not foul on another component, or be likely to foul under normal operating conditions. 5. Fuel and electrical components must not be subject to either a corrosive environment or be exposed to heat sources likely to cause premature failure. 6. All steering, suspension, braking and fuel system components must not be leaking. (see note 2) 7. All electrical cables/wires must be free from chaffing and secured at intervals of at least every 300mm unless contained in a secure hollow component. (See note 3) 8. All electrical components must be of adequate capacity and insulated as required as to prevent short circuiting during operation.

General Construction

Record of Revision

Revision	Date	Description of Change
1	16/04/2009	
2	28/02/2011	Add new RS1 and add note 3
3	29/10/2012	Amend RS6

Glossary of Terms

Abnormal Indivisible Load Trailer

A trailer specially designed and constructed, and used only for, or empty in connection with, the conveyance of abnormal indivisible loads

Approval Authority

The Vehicle Certification Agency are the UK Approval Authority,

Brake Efficiency

Maximum total brake force expressed as a percentage of maximum gross weight.

Breakaway Cable

A legally required safety device that activates the brakes if car and trailer / caravan become separated in transit. It works by pulling the brakes on then snapping.

Centre Axle Trailer

A trailer having only a single axle or group of axles which is positioned at or close to the centre of gravity so that, when the trailer is uniformly loaded, the static vertical load transmitted to the towing vehicle does not exceed 10 per cent of the maximum authorised weight for the axle or group of axles or 1,000kg, whichever is the less.

Coupling Class

Class A = Coupling balls and towing brackets

Class B = Coupling heads

Class C = Automatic drawbar couplings

Class D = Drawbar eyes

Class G = Fifth wheel Couplings

Class H = Fifth wheel pin

Class S = Devices and components which do not conform to any of the Classes A to H above and which are used, for example, for special heavy transport or are devices unique to some countries and covered by existing national standards.

Draw Bar Trailer

Trailer with an inbuilt steering mechanism on the front axle

Double Glazing

An assembly of two glazing panes permanently assembled in manufacture and separated by a uniform gap

Double Windows

Two separate units installed in a vehicle as separate inner and outer panes.

Glossary of Terms

Extreme Outer Edge

In relation to the side of a trailer, the vertical plane parallel with the longitudinal axis of the trailer and coinciding with its lateral outer edge, disregard the protection of

- distortion of any tyre due to the weight of the trailer
- connections for tyre pressure gauges
- anti-skid devices mounted on the wheels
- lamps and reflectors
- custom seals and devices for securing and protecting such seals
- special equipment

Foundation Brake

The foundation brake is the basic drum or disc brake assembly fitted to each axle or wheel which produces the braking force necessary to bring the trailer to a stop.

Indivisible load

Shall mean a load that cannot, for the purpose of carriage by road, be divided into two or more loads without undue expense or risk of damage

Illuminating Surface

Should be taken to be the area of the “reflector” to the rear of the bulbs. Where lamps are mounted in a common housing and are “E” marked, the separation criteria should be assumed to be met.

Insecure

A component or its fixing is, due to its design or a construction feature, not completely attached to the trailer structure or to another associated component as intended.

Lifting Axle

Glossary of Terms

'Lifting axle' means an axle which can be lifted from the road during normal trailer use.

Longitudinal Plane

A vertical plane parallel to the longitudinal axis of the trailer.

Low Loader Trailer

A semi-trailer which is constructed and normally used for the carriage of engineering equipment so constructed that the major part of the load platform does not extend over or between the wheels and the upper surface of which is below the height of the top most point of the tyres of those wheels.

Major Manufacturer

A trailer manufacturer that provides vehicles approved to EC Whole Vehicle Type Approval standards.

Manufacturer's Plate

A piece of durable material e.g. metal or plastic that is likely to last the life of the trailer and which is permanently marked with the required markings.

Matched Pair

For the purpose of this manual only:

Lamps fitted to the vehicle must be of the same brightness, intensity, colour, shape, height and position.

Obvious modification

Where evidence suggests that the vehicle / component has been modified which invalidates the approval, evidence must be easily recognisable without the need of a detailed inspection

Overrun Braking

The motion of the trailer with respect to the towing vehicle is used to actuate the brake.

Passenger Car tyre

A tyre designed primarily, but not only, for passenger cars (motor vehicles in Category M1) and their trailers (01 and 02)".

Power Braking

A system that requires the use of stored energy to operate.

Rain flap

'Rain flap' means a flexible component mounted vertically behind the wheel, on the lower part of the chassis or the loading surface, or on the mudguard

Glossary of Terms

Rigid Draw Bar Trailer

See centre axle trailer

Secondary coupling

This cable attaches the trailer to the towing vehicle whilst towing and provides a secondary link. A secondary coupling is a legal requirement for all un-braked trailers and braked trailers not exceeding 1500kgs

Step Frame Trailer

A semi-trailer (not being a low loader) which is constructed and normally used for the carriage of engineering equipment and is so constructed that the upper surface of the major part of the load platform is at a height of less than 1m above the ground when measured on level ground.

Teardrop Trailer or Caravan

A compact lightweight travel trailer which gets its name from its teardrop profile. To be considered a caravan (SPV) it must genuinely provide 'mobile living accommodation'.

Record of Revision

Revision	Date	Description of Change
1	16/04/2009	
2	28/02/2011	Add definitions
3	30/04/2012	Add definition for Class S coupling
4	29/10/2013	Insert new definitions identified by vertical line in the left hand column
5	29/10/2014	Insert new definitions for Low Loader and Step Frame Low Loader