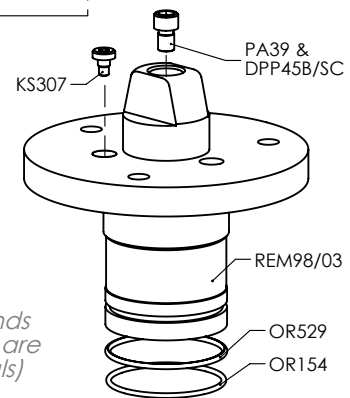


Base Tube Selection Table

Mounting Centres	Feed Boss Specification			Base Tube Assembly	Mounting Centres	Feed Boss Specification			Base Tube Assembly
	Type	Position	Angle			Type	Position	Angle	
300	BSP	137	0	747D210****	774	SAE	250	0	747D220****
300	SAE	137	0	747D217****	774	BSP	250	90	747D231****
300	BSP	137	90	747D224****	900	BSP	250	0	747D214****
343	BSP	190	0	747D211****	900	SAE	250	0	747D221****
343	SAE	190	0	747D218****	900	BSP	250	90	747D232****
343	2X BSP	190	0 & 45	747D226****	1035	BSP	250	0	747D215****
343	BSP	190	90	747D229****	1035	SAE	250	0	747D222****
550	BSP	190	0	747D212****	1035	BSP	250	0	747D227****
550	SAE	190	0	747D219****	1035	BSP	250	90	747D233****
550	BSP	190	0 & 45	747D228****	1200	BSP	250	0	747D216****
550	BSP	190	90	747D230****	1200	SAE	250	0	747D223****
774	BSP	250	0	747D213****	1200	BSP	250	90	747D225****



Seal & bearing ring combined kit available: SKITCS15 4B

(Edbro recommends that bearing rings are replaced with seals)

CS15004****XXX

****refers to length options
XXX refers to mounting centre options



Please note seal kit is a universal kit designed to fit various CS cylinders. Surplus parts will be included.