

Spare parts for JOST Axle Systems

Engineered by Mercedes-Benz



Products for truck and trailer



You will find these products in this catalogue



DCA axles



DLS axles

JOST – from small workshop to global player



JOST's history began as a typical post-war success story. In the early 1950s, Neu-Isenburg is home to two real movers and shakers – Hans Breuer and Joseph Steingass. Inspired by the semitrailer trucks they had seen the American troops using in Frankfurt, they began developing fifth wheel couplings made of cast steel. They filed a patent for their invention in 1955, and received general type approval in 1960.

This quickly turned the former forge for ball bearing turntables into an extremely successful company that has been market leader in the field ever since. The expansion into international markets, which began as far back as the 1960s, has also played a big part in JOST's positive development. JOST is currently represented on every continent in the world, with 16 production sites and another 11 sales offices.

The start of the new millennium signalled another milestone in the company's history. The production technology and product range were extensively modernised, while the takeover of JOST by well-financed investors made the acquisition of appropriate companies possible.

Today, it is impossible to imagine the truck and trailer market without JOST World – and its four strong brands JOST, ROCKINGER, TRIDEC and Edbro – as a globally active provider of components and systems.

However, just as the company's main office in Neu-Isenburg still rests on the foundation walls of the former forge, JOST's success is based on characteristics that are in the company's DNA now and when it was founded: outstanding engineering services for the products the market needs, teamed with spirit and brave decisions.

How to contact us:

JOST, Siemensstraße 2, 63263 Neu-Isenburg – Germany

Phone: +49 6102 295-0, Fax: +49 6102 295-298

E-Mail: jost-sales@jost-world.com

JOST  **ROCKINGER**  **Edbro**



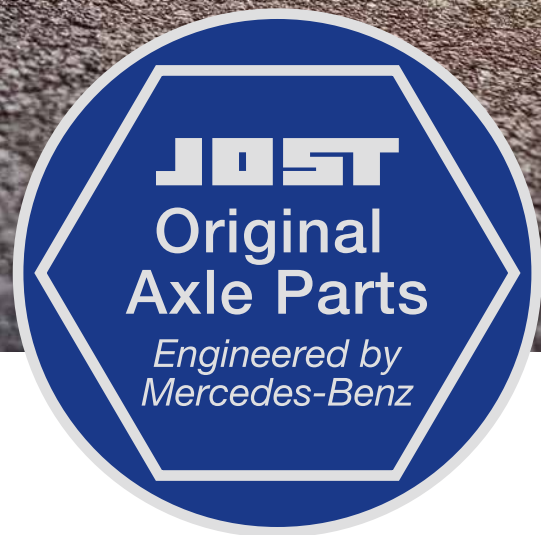
Content

Introduction	Page	6 – 7
Original spare parts for your Mercedes-Benz and JOST trailer axles		6
Identifying the JOST axle		7
Spare parts for DCA axles	Page	8 – 27
JOST spare parts for DCA axles		9
Replacement axle/Axle housing		10
Axle housing		11
Hub assembly		12
Suspension connection, front		13
Suspension connection, rear		14
Brake SN6-19.5"		16
Brake SN7-22.5"		17
Brake SK7-22.5"		18
Brake JOST DCA-L7-22.5"		19
Brake chambers		20
DCA AIRMASTER (Axle with compressed air reservoir)		21
DCA STEERMASTER (Steering axle)		22
Twin lift		24
Twin lift "rocker"		26
Center lift		27

Content

Spare parts for DLS axles	Page	28 – 65
JOST spare parts for DLS axles		29
Replacement axle for DLS axles		30
Hub assembly type 9 t, compact bearing		31
Hub assembly type 10.5 t, conventional bearing		32
Brake SN6-19.5"		33
Brake SN7-22.5"		34
Brake SK7-22.5"		35
Brake JOST DCA-L7-22.5"		36
Brake chambers		37
Suspension connection ordercode 700, ride high 450		38
Suspension connection ordercode 701, ride high 390		40
Suspension connection ordercode 702, ride high 355/405		42
Suspension connection ordercode 710, ride high 215/290		44
Suspension connection ordercode 711, ride high 330		46
Suspension connection ordercode 715, ride high 250/300		48
Suspension connection ordercode 720, ride high 280/230		50
Suspension connection ordercode 730, ride high 375/425		52
Suspension connection ordercode 731, ride high 385/335/360		54
Suspension connection ordercode 780, ride high 410		56
Suspension connection ordercode 795, ride high 485/535		58
DLS Steering axle		60
Dual-side lift "bolt"		62
Dual-side lift "rocker"		64
Center lift		65
Parts reference list	Page	66 – 74
Parts reference list Mercedes-Benz to JOST		66

Original spare parts for your Mercedes-Benz and JOST trailer axles



Effective immediately: Original spare parts for your DCA and DLS trailer axles – safe and easy from JOST

In January 2015, JOST has taken over Mercedes Benz TrailerAxleSystems. This made JOST one of the leading manufacturers of trailer axles in Europe. Since then, the former Daimler Mercedes-Benz TrailerAxleSystems segment has been part of a dynamically growing system supplier for the utility vehicle industry with excellent global positioning.

The merger offers numerous benefits for our customers. The dependable and quick supply of original spare parts through the JOST distribution network is one of them. JOST is assuming the responsibility for providing original spare parts for all trailer axles from Mercedes-Benz. This means: Original spare parts from JOST as a manufacturer of the DCA axle series in the proven series production quality. Only JOST original spare parts guarantee the safety, high performance and longevity of your axles.

JOST offers various wear parts as repair sets to make the provision of original spare parts easier. As a customer, you benefit from our knowledge as the market leader for truck and trailer components: Practical sets and user friendly assembly instructions. For example, parts that are needed to renew the brakes or chassis connection can be ordered as a set with only one order number.

Just like other original parts from JOST, spare parts for trailer axles are delivered to you in the distinctive packaging with the tamper-proof hologram: This is the only way to rest assured that your repair was truly performed with JOST quality!

For questions about spare parts please contact:


JOST-Werke Deutschland GmbH
Phone: +49 6102 295-0, Fax +49 6102 295-298
jost-sales@jost-world.com
www.jost-world.com

Identifying the JOST axle



Classification of the identification plate

1	<p>TZ = Rigid axle, offset 0</p> <p>TE = Rigid axle, offset 120</p> <p>TL = Steering axle, offset 120</p>																																							
2	<p>1 (2, 3, 4)* = DBA/DLS 9t</p> <p>2 = DBA/DLS 10.5 t</p> <p>8 = Series DCA</p>																																							
3	<table border="0"> <tr> <td>D749324</td> <td rowspan="4">}</td> <td>DCA WEIGHTMASTER,</td> </tr> <tr> <td>D749325</td> <td>DCA MEGAMASTER,</td> </tr> <tr> <td>D749334</td> <td>DCA PAVEMASTER,</td> </tr> <tr> <td>D749349</td> <td>DCA RAILMASTER</td> </tr> <tr> <td>D749368</td> <td rowspan="2">}</td> <td rowspan="2">Version with tyre inflation system</td> </tr> <tr> <td>D749369</td> </tr> <tr> <td>D749360</td> <td rowspan="2">}</td> <td rowspan="2">DCA AIRMASTER</td> </tr> <tr> <td>D749361</td> </tr> <tr> <td>D749308</td> <td rowspan="2">}</td> <td rowspan="2">DCA STEERMASTER</td> </tr> <tr> <td>D749309</td> </tr> <tr> <td>D749310</td> <td rowspan="2">}</td> <td rowspan="2">DCA STEERMASTER 21</td> </tr> <tr> <td>D749311</td> </tr> <tr> <td>D749306</td> <td rowspan="6">}</td> <td rowspan="6">DLS 9t compact bearing</td> </tr> <tr> <td>D749307</td> </tr> <tr> <td>D749337</td> </tr> <tr> <td>D749347</td> </tr> <tr> <td>D749323</td> </tr> <tr> <td>D749348</td> </tr> <tr> <td>D749320</td> <td rowspan="2">}</td> <td rowspan="2">DLS 10.5 t conventional bearing</td> </tr> <tr> <td>D749330</td> </tr> <tr> <td>4</td> <td> <p>TDB 0571 / 0876 = Brake SN7-22,5"</p> <p>TDB 0637 / 0874 = Brake SN6-19,5"</p> <p>TDB 0815 / 0875 = Brake SK7-22,5"</p> <p>TDB 0877 = Brake DCA-L7-22,5"</p> </td> </tr> </table>	D749324	}	DCA WEIGHTMASTER,	D749325	DCA MEGAMASTER,	D749334	DCA PAVEMASTER,	D749349	DCA RAILMASTER	D749368	}	Version with tyre inflation system	D749369	D749360	}	DCA AIRMASTER	D749361	D749308	}	DCA STEERMASTER	D749309	D749310	}	DCA STEERMASTER 21	D749311	D749306	}	DLS 9t compact bearing	D749307	D749337	D749347	D749323	D749348	D749320	}	DLS 10.5 t conventional bearing	D749330	4	<p>TDB 0571 / 0876 = Brake SN7-22,5"</p> <p>TDB 0637 / 0874 = Brake SN6-19,5"</p> <p>TDB 0815 / 0875 = Brake SK7-22,5"</p> <p>TDB 0877 = Brake DCA-L7-22,5"</p>
D749324	}	DCA WEIGHTMASTER,																																						
D749325		DCA MEGAMASTER,																																						
D749334		DCA PAVEMASTER,																																						
D749349		DCA RAILMASTER																																						
D749368	}	Version with tyre inflation system																																						
D749369																																								
D749360	}	DCA AIRMASTER																																						
D749361																																								
D749308	}	DCA STEERMASTER																																						
D749309																																								
D749310	}	DCA STEERMASTER 21																																						
D749311																																								
D749306	}	DLS 9t compact bearing																																						
D749307																																								
D749337																																								
D749347																																								
D749323																																								
D749348																																								
D749320	}	DLS 10.5 t conventional bearing																																						
D749330																																								
4	<p>TDB 0571 / 0876 = Brake SN7-22,5"</p> <p>TDB 0637 / 0874 = Brake SN6-19,5"</p> <p>TDB 0815 / 0875 = Brake SK7-22,5"</p> <p>TDB 0877 = Brake DCA-L7-22,5"</p>																																							

JOST SN 

Engineered by Mercedes-Benz

model	TE5/8KC7-9	ID1-	TE5
BM	D749334	ID2-	SK7
var.	JX036041303	ID3-	11.772,0
SN	11444289	ID4-	TDB0875
JOST no	12345678	Stat. 9000 kg Vmax 105 km/h	

www.jost-axle-systems.com

 Daimler AG
Kassel - Germany  www.dca-family.com

model	TE5/8KC7-9	ID1-	TE5
type des.	749334	ID2-	SK7
serial no.	H485442	ID3-	11772
var.	036041303	ID4-	TDB 0815
axle load	9.000	kg stat. perm.	v max. 105 km/h

If spare parts cannot be clearly identified with the type plate information, use the Mercedes-Benz /JOST part number that is imprinted on the components to identify the individual component. The reference list is provided beginning on page 66.

For technical questions about maintenance & repair please contact:

JOST Achsen Systeme GmbH
 Phone: +49 5674 9237-240, Fax +49 5674 9237-488
 E-mail: service-axles@jost-world.com,
www.jost-axle-systems.com

* old numbering

Spare parts for DCA axles



JOST spare parts for DCA axles

1. DCA - an axle series with many advantages

The compact axle beam gives the axle series the name DCA – Durable Compact Axle. Integrating all the axle functions creates a compact axle housing that is extremely durable

and lightweight thanks to its innovative construction. The axle housing integrates the trailing arm, axle tube, brake flange and axle journal, forming a perfect unit.



2. DCA series

2.1 DCA WEIGHTMASTER

The DCA WEIGHTMASTER is the core member of the axle series. Its low weight – from just 381 kg, depending on which version – coupled with its durability, the advantage of fewer components (due to its monocoque design) coupled to the maintenance-free compact bearings, makes it ideal for use in the European transport industry. With its modular design, it is compatible with nearly all trailers, from platform semitrailers, curtainsiders, tippers, tankers and bulk distribution. The DCA WEIGHTMASTER is compatible with 19.5" or 22.5" wheels.

2.2 DCA MEGAMASTER

The DCA MEGAMASTER was designed specifically for large volume semitrailers with an interior height of three metres. This special-purpose axle and suspension is for high-volume road haulage applications, and vehicles that require a long axle travel, this range is based on the innovative and proven components of the DCA series. Despite the low ride height, loading docks can be reached for the purpose of loading and unloading.

2.3 DCA PAVEMASTER

The DCA PAVEMASTER unites an optimised tailend design especially for tippers in road finisher application. The DCA PAVEMASTER has been built to the highest standards to meet the specific demands of road construction. With the new design we were also able to reduce the weight of the DCA PAVEMASTER by up to 12 kg per axle.

2.4 DCA RAILMASTER

The new DCA RAILMASTER is designed for use in combined road-rail-sea transport. If a semitrailer is lifted by crane, conventional air bellows can be damaged while the vehicle is being set down. That is why the air bellows of the DCA RAILMASTER consist of two interlocking components which can separate during lifting without air and ensure the optimal position of the air bellows when the semitrailer is set down.

2.5 DCA AIRMASTER

As the world's only axle that stores compressed air for the brakes and air suspension in the axle housing, the DCA AIRMASTER is able to dispense with the conventional compressed-air tanks that appear on trailers or semitrailers, thereby freeing up space beneath the trailer as well as reducing weight by up to 50 kg. The DCA AIRMASTER paves the way for the introduction of trailblazing vehicle concepts.

2.6 DCA STEERMASTER

An ideal addition to the DCA series. With a steering angle of max. 21 degrees, it negotiates bends with consummate ease, while the lightweight design allows high payloads. In addition, the steering axle reduces the truck's tyre wear and fuel consumption. Like the other axles in the series, the DCA STEERMASTER is based on the tried-and-trusted components of the DCA modular system and, therefore, offers the versatility you expect when it comes to meeting your transport needs.

Replacement axle/Axle housing

Spare parts

1. Axle replacement

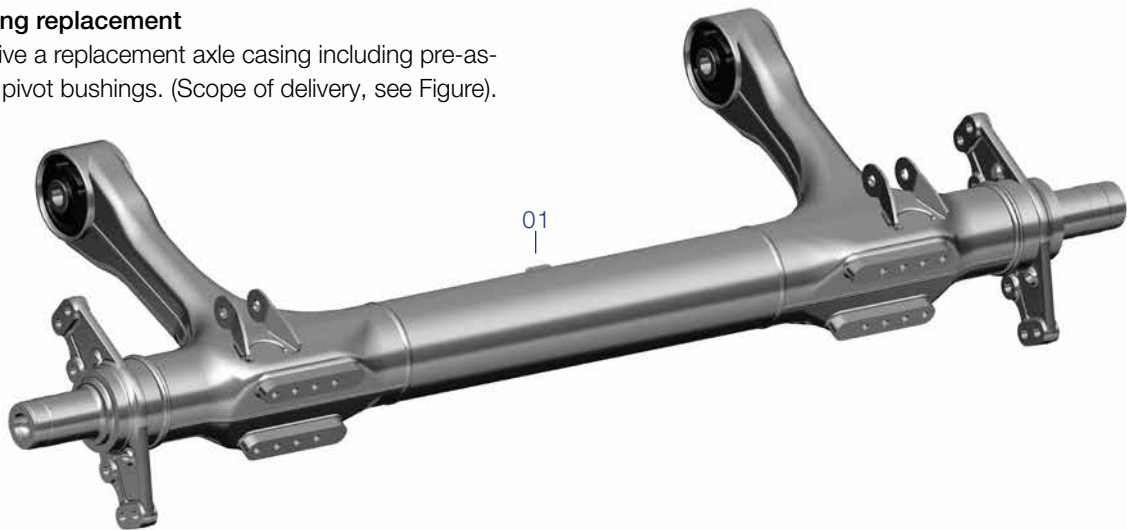
You will receive a replacement axle for your individual wheel/spring link with hub assembly, brakes and mounted 3D pivot bushings. (Scope of delivery, see Figure).

You can request them from your distributor.



2. Axle casing replacement

You will receive a replacement axle casing including pre-assembled 3D pivot bushings. (Scope of delivery, see Figure).



An order for replacement axles and/or replacement axle casings requires the inclusion of the "serial no." and/or "SN" from the type plate of the axle. Model and/or axle descriptions are insufficient because the various specifications, such as wheel/spring link combinations, cannot be identified with this information and spare parts can thereby not be identified.

Unless it is damaged, you can reuse the air bellows support kit for DCA axle designs with M14 air bellows support kit screw connections (standard since 2005). Otherwise, you will also need new air bellows support kits.

Air bellows support kit screw connections must always be replaced!

If it is not possible to determine the spare part, contact the vehicle manufacturer and/or our Service Hotline.

For questions about spare parts please contact:

JOST-Werke Deutschland GmbH

Phone: +49 6102 295-0

For technical questions about maintenance & repair please contact:

JOST Achsen Systeme GmbH

Phone: +49 5674 9237-240

Axle housing

Spare parts

Item	Description	Remark	Order No.	quantity per axle
01	Axle housing	ET120, RS2010, FS1200	JAE 30 502 102 08	1
	Axle housing	ET120, RS2040, FS1150	JAE 30 502 103 08	1
	Axle housing	ET120, RS2040, FS1200	JAE 30 502 104 08	1
	Axle housing	ET120, RS2040, FS1250	JAE 30 502 105 08	1
	Axle housing	ET120, RS2040, FS1300	JAE 30 502 106 08	1
	Axle housing	ET120, RS2090, FS1200	JAE 30 502 107 08	1
	Axle housing	ET120, RS2090, FS1250	JAE 30 502 108 08	1
	Axle housing	ET120, RS2090, FS1300	JAE 30 502 109 08	1
	Axle housing	ET120, RS2090, FS1350	JAE 30 502 110 08	1
	Axle housing	ET120, RS2140, FS1250	JAE 30 502 111 08	1
	Axle housing	ET120, RS2140, FS1300	JAE 30 502 112 08	1
	Axle housing	ET120, RS2140, FS1350	JAE 30 502 113 08	1
	Axle housing	ET120, RS2140, FS1400	JAE 30 502 114 08	1
	Axle housing	ET120, RS1990, FS1300	JAE 30 502 115 08	1
	Axle housing	ET0, RS2040, FS1150	JAE 30 502 116 08	1
	Axle housing	ET0, RS2040, FS1200	JAE 30 502 117 08	1
	Axle housing	ET0, RS2090, FS1200	JAE 30 502 118 08	1
	Axle housing	ET0, RS2090, FS1250	JAE 30 502 119 08	1
	Axle housing	ET0, RS2140, FS1250	JAE 30 502 120 08	1
	Axle housing	ET0, RS2140, FS1300	JAE 30 502 121 08	1
	Axle housing	ET120, RS1940, FS1200	JAE 30 502 122 08	1
	Axle housing	ET120, RS1990, FS1200	JAE 30 502 123 08	1
	Axle housing	ET120, RS1990, FS1250	JAE 30 502 124 08	1
	Axle housing	ET120-AIR, RS2040, FS1300	JAE 33 502 125 08	1
	Axle housing	ET120-AIR, RS2090, FS1300	JAE 33 502 126 08	1
	Axle housing	ET120-AIR, RS2140, FS1300	JAE 33 502 127 08	1
	Axle housing	ET120-AIR, RS2140, FS1350	JAE 33 502 128 08	1
	Axle housing	ET120-AIR, RS2140, FS1400	JAE 33 502 129 08	1
	Axle housing	ET120-AIR, RS2040, FS1200	JAE 33 502 130 08	1
	Axle housing	ET120-RFS, RS2090, FS1200	JAE 34 502 131 08	1

Repair and retrofit kits

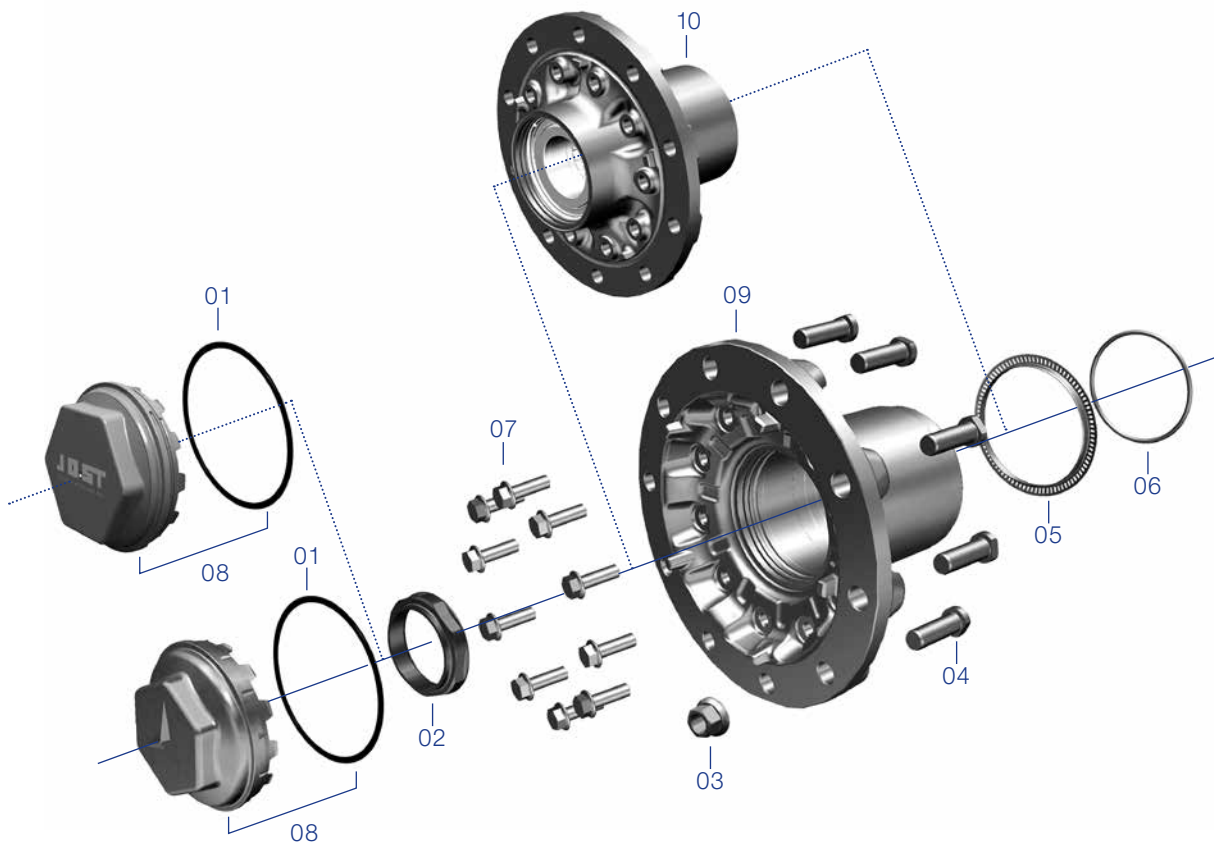
Item	Description	Remark	Order No.	quantity per axle
02	RK Screw connections, air bellows support type A, B, C, E	not shown, see p. 13 "Suspension connection, rear" item 5 "RK Air bellow support"	JAE 00 508 100 14	2
03	RK Screw connections, air bellows support type D	not shown, see p. 13 "Suspension connection, rear" item 5 "RK Air bellow support"	JAE 00 508 101 14	2
04	RK Pivot bolt set	not shown, see p. 11 "Suspension connection, front" item 6 "RK Pivot bolt set"	JAE 30 505 101 55	1

Please order the correct repair kits for the screw connections to assemble the hanger bracket and air bellows support kits.

The hanger bracket and air bellows support kits are assembled with the torque-angle of rotation procedure. The integrity of the screw connections will be damaged after they have been unscrewed. They must therefore be renewed and must not be reused under any circumstances.

Hub assembly

Spare parts



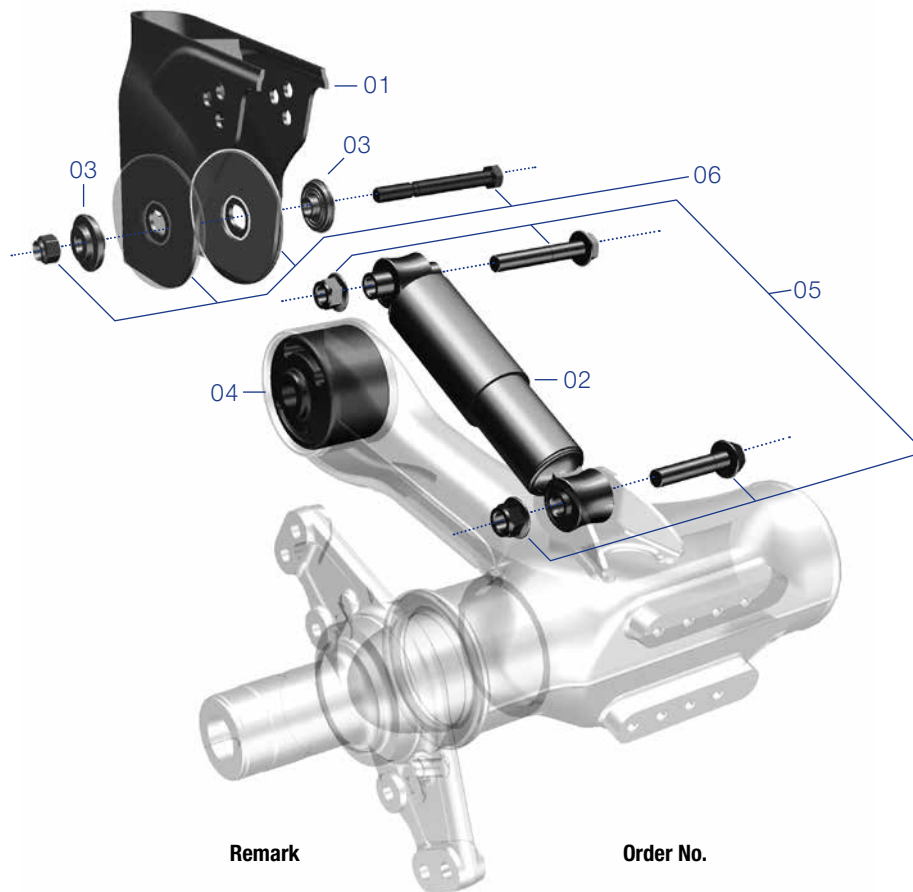
Item	Description	Remark	Order No.	quantity per axle
01	O-ring	Ø 142	JAE 02 103 088 48	2
02	Axle end nut	M 80 x 1.5 RH (right side of vehicle)	JAE 01 209 000 50	1
	Axle end nut	M 80 x 1.5 LH (left side of vehicle)	JAE 01 209 001 50	1
03	Wheel nut	M 22 x 1.5	JAE 00 209 006 72	20
	Wheel nut	M 22 x 1.5 (x 10)	JAE 00 209 006 72 10	2
	Wheel nut with collar	M 22 x 1.5	JAE 00 209 023 72	20
	Wheel bolt with collar	M 22 x 1.5 (x 10)	JAE 00 209 023 72 10	2
04	Wheel bolt	M 22 x 1.5 x 80	JAE 01 208 024 71	20
	Wheel bolt	M 22 x 1.5 x 80 (x 10)	JAE 01 208 024 71 10	2
05	ABS ring	90 tooth	JAE 02 203 005 15	2
06	O-ring	Ø 80	JAE 02 103 097 48	2
07	Bolt	depending on hub/braketype (see brake item 03)		

Repair and retrofit kits

Item	Description	Remark	Order No.	quantity per axle
08	RK Hub cap	Type „Star“ and item 01	JAE 02 503 004 20	2
	RK Hub cap	Type „JOST“ and item 01	JAE 02 503 100 20	2
09	RK 120 mm offset hub assembly	incl. compact bearing, item 01 and item 06, for hub assembly model ... 0501, ... 2601 and ... 2801 (last 4 digits on component).	JAE 02 503 028 01	2
10	RK 0 mm offset hub assembly	incl. compact bearing, item 01 and item 06, for hub assembly model ... 0601 (last 4 digits on component).	JAE 02 503 009 35	2
11	High temp. assembly paste	100 g tube, not shown	JAE 00 403 080 51	
	High temp. assembly paste	100 g tube (x12), not shown	JAE 00 403 080 51 12	

Suspension connection, front

Spare parts



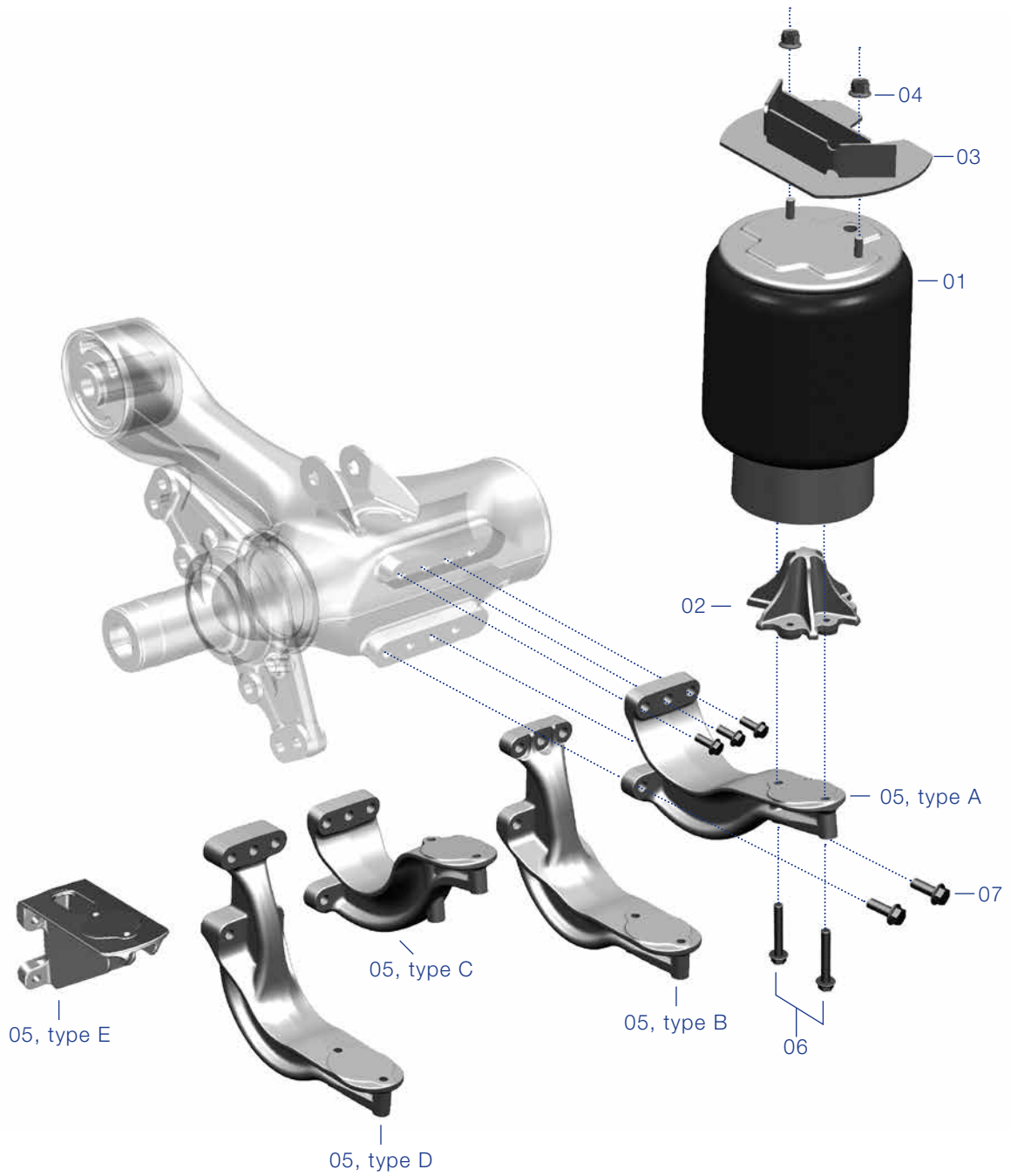
Item	Description	Remark	Order No.	quantity per axle
01	Hanger bracket	H = 250	JAE 30 105 065 78	2
	Hanger bracket	H = 325	JAE 30 105 066 78	2
	Hanger bracket	H = 400	JAE 30 105 067 78	2
	Hanger bracket stainless steel	H = 250	JAE 30 105 071 78	2
	Hanger bracket stainless steel	H = 325	JAE 30 105 072 78	2
02	Shock absorber	short, 279 mm	JAE 30 105 005 00	2
	Shock absorber	long, 294 mm	JAE 30 105 007 00	2
03	Pressure plate	for hanger bracket, steel	JAE 30 205 004 76	4
	Pressure plate	KTL black, for hanger bracket, stainless steel	JAE 30 205 007 76	4
04	3D pivot bushing		JAE 30 205 002 50	2

Repair and retrofit kits

Item	Description	Remark	Order No.	quantity per axle
05	RK Shock absorber mounting		JAE 30 505 100 55	2
06	RK Pivot bolt set		JAE 30 505 101 55	1
07	RK 3D pivot bushing with screw	item 06 and item 04	JAE 30 505 100 50	1

Suspension connection, rear

Spare parts



Suspension connection, rear

Spare parts

Item	Description	Remark	Order No.	quantity per axle
01	Air bellows	360 L (1D28f and 1T19L-11,5)	JAE 20 105 015 01	2
	Air bellows	360 K (1D28a-13 and 1T19L-7)	JAE 20 105 019 01	2
	Air bellows	360 M (... 2201* and V1DK28h-3)	JAE 30 105 022 01	2
	Air bellows	300 S (... 1401*)	JAE 30 105 014 01	2
	Air bellows	300 I (... 2501*)	JAE 30 105 025 01	2
	Air bellows	300 R (... 2601*)	JAE 30 105 026 01	2
02	Centring cone		JAE 30 205 000 11	2
03	Air bellows pedestal	H = 5	JAE 02 105 070 35	2
	Air bellows pedestal	H = 50	JAE 02 205 003 35	2
	Air bellows pedestal	H = 70	JAE 02 205 004 35	2
	Air bellows pedestal	H = 100	JAE 02 205 006 35	2
	Air bellows pedestal	H = 125	JAE 02 205 010 35	2
	Air bellows pedestal	H = 155	JAE 02 205 008 35	2
	Air bellows pedestal	H = 200	JAE 02 205 018 35	2
04	Nut	M12	JAE 00 209 002 50	4

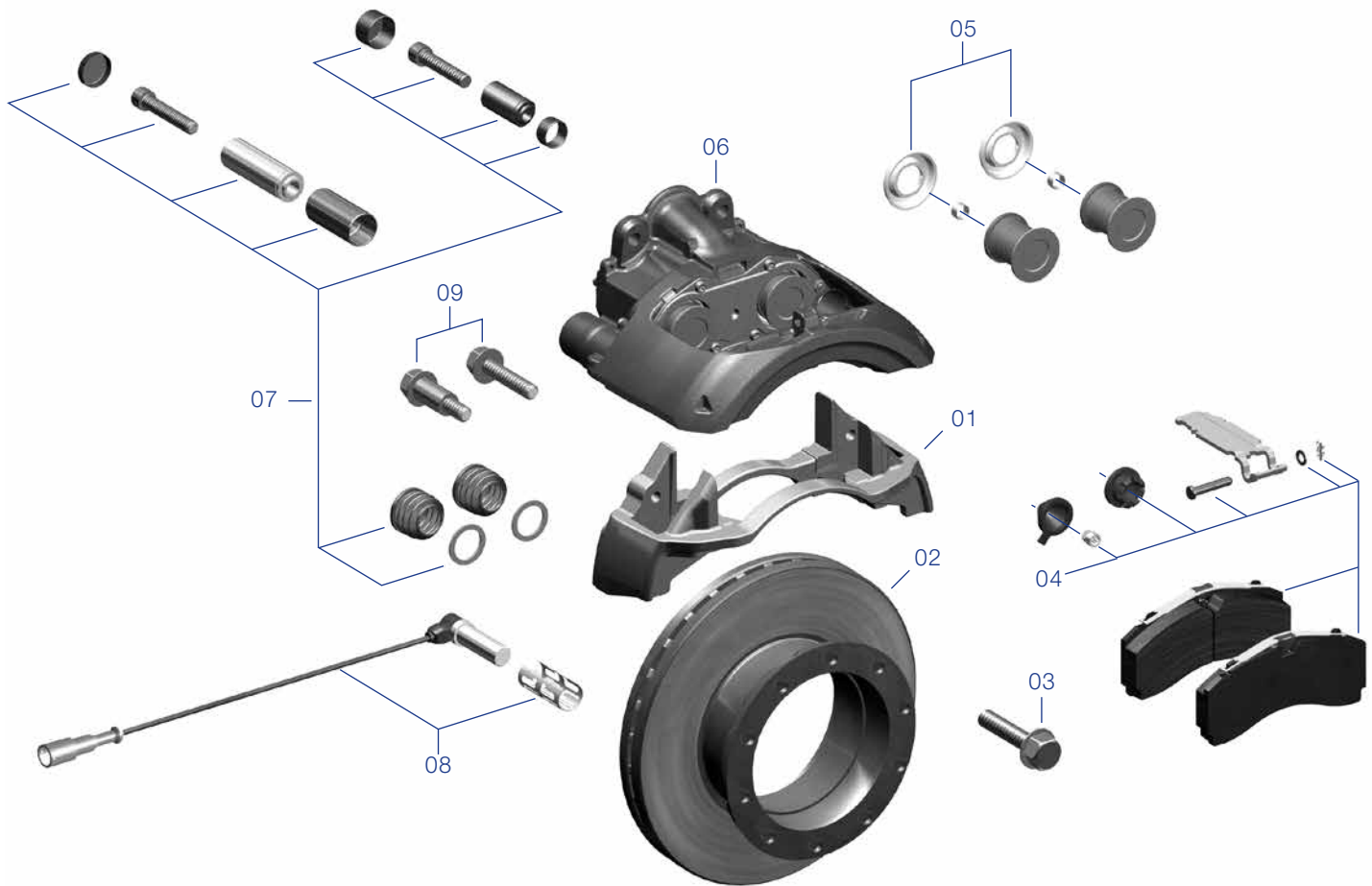
* last 4 digits on component

Repair and retrofit kits

Item	Description	Remark	Order No.	quantity per axle
05	RK Air bellows support type A	M14, casting marking ... 1241	JAE 30 505 100 34	2
	RK Air bellows support type B	M14, casting marking ... 1141	JAE 30 505 103 34	2
	RK Air bellows support type C	M14, casting marking ... 1341	JAE 30 505 102 34	2
	RK Air bellows support type D	M14, casting marking ... 1441	JAE 30 505 107 34	2
	RK Air bellows support type E	M14, casting marking ... 1841	JAE 30 505 109 34	2
	RK Air bellows support type A	M16, casting marking ... 0841	JAE 30 505 104 34	2
	RK Air bellows support type B	M16, casting marking ... 1541, ... 0941	JAE 30 505 105 34	2
	RK Air bellows support type C	M16, casting marking ... 1041	JAE 30 505 108 34	2
06	RK Screw connection for air bellows	Type E	JAE 00 508 100 12	2
	RK Screw connection for air bellows	Type A, B, D	JAE 00 508 107 12	2
	RK Screw connection for air bellows	Type C	JAE 00 508 102 12	2
07	RK Screw connections, air bellows support type A, B, C, E	M14	JAE 00 508 100 14	2
	RK Screw connections, air bellows support type D	M14	JAE 00 508 101 14	2
	RK Screw connections, air bellows support type A, B, C	M16	JAE 00 508 100 16	2
08	RK Offset plate for tippers	not shown	JAE 30 505 024 35	1

Brake SN6-19,5"

Spare parts für Typ SN6-19,5", TDB 0637/0874



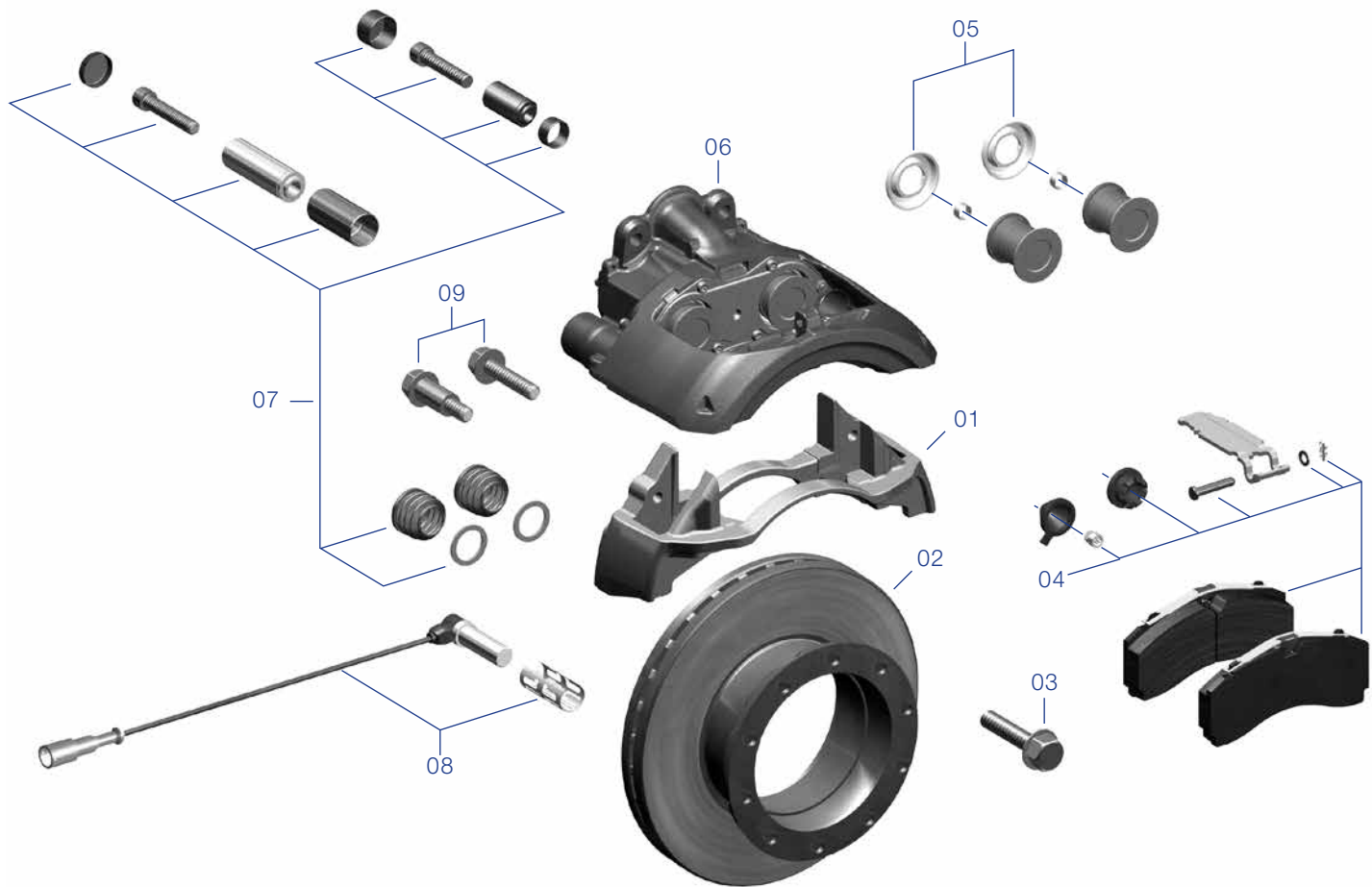
Item	Description	Remark	Order No. brake calliper type SN6-19.5"	quantity per axle
01	Brake carrier		JAE 01 104 020 06	2
02	Brake disc	19.5" - 10 hole	JAE 01 104 000 12	2
03	Bolt	M14 x 1.5 x 45 - 10.9 (x10) use with hub assembly model ... 2601 and ... 2801 (last 4 digits on component).	JAE 00 208 100 14 10	2
	Bolt	M14 x 1.5 x 70 - 10.9 (x10) use with hub assembly model ... 0501 and ... 0601 (last 4 digits on component).	JAE 00 008 106 14 10	2

Repair and retrofit kits

Item	Description	Remark	Order No. brake calliper type SN6-19.5"	quantity per axle
04	RK Brake pad	for one axle	JAE 02 504 078 20	1
05	RK Thrust pad	SN6, SN7, SK7	JAE 01 504 049 82	2
	RK Thrust pad	SB6, SB7	JAE 01 504 023 82	2
06	RK Caliper	left	JAE 02 504 026 01	1
	RK Caliper	right	JAE 02 504 027 01	1
07	RK Seal and guide	Bellows / open slide pin (SN6, SB6, SB7) not shown	JAE 01 504 061 74	2
08	RK ABS sensor		JAE 02 504 100 55	2
09	RK Brake calliper screw connection		JAE 30 504 101 55	2
10	RK Wear sensor	Wired version not shown	JAE 02 104 001 18	1

Brake SN7-22,5"

Spare parts für Typ SN7-22,5", TDB 0571/0876



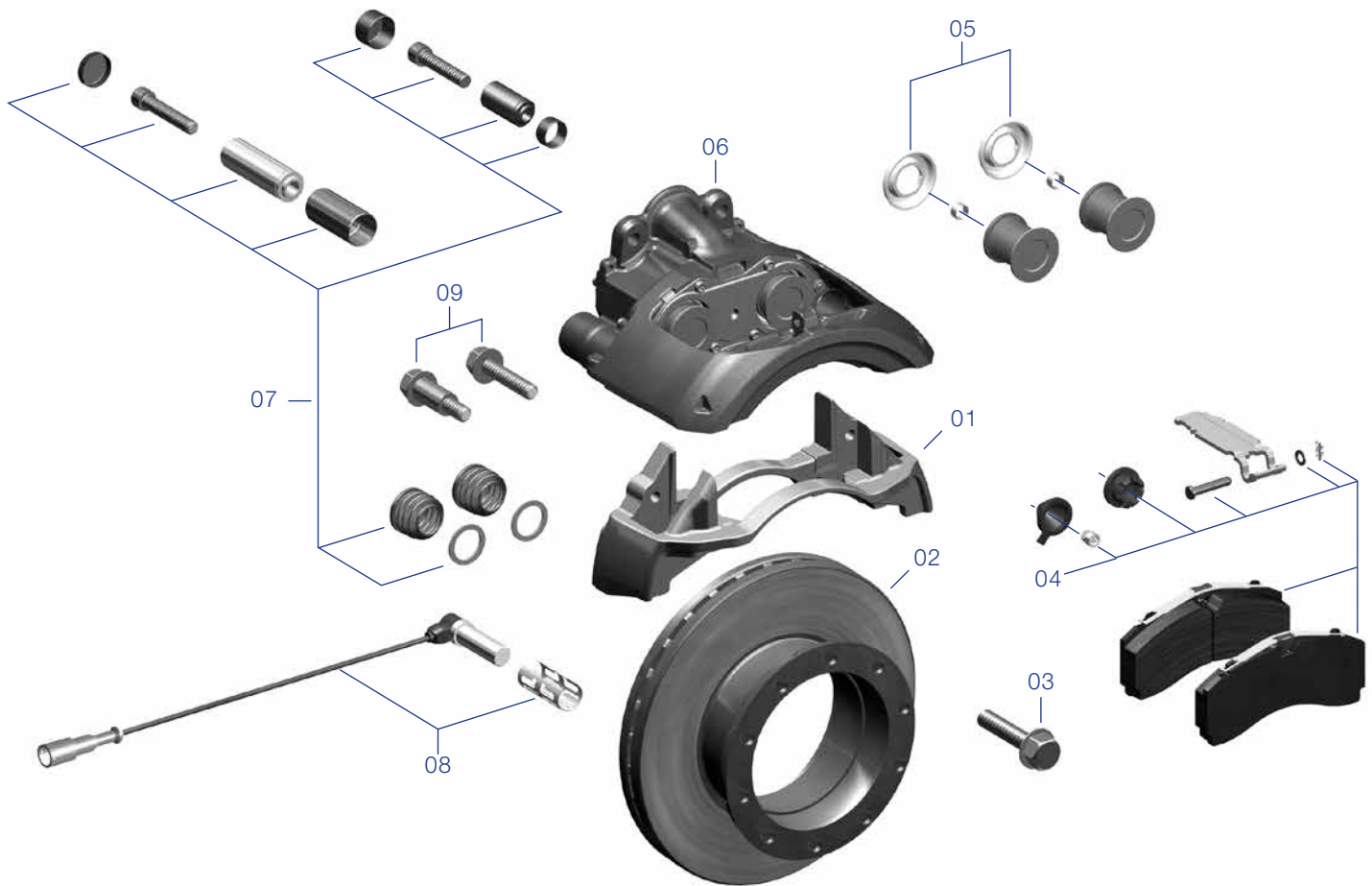
Item	Description	Remark	Order No. brake calliper type SN7-22.5"	quantity per axle
01	Brake carrier		JAE 02 104 025 06	2
02	Brake disc	22.5"	JAE 01 104 001 12	2
03	Bolt	M14 x 1.5 x 45 - 10.9 (x10) use with hub assembly model ... 2601 and ... 2801 (last 4 digits on component).	JAE 00 208 100 14 10	2
	Bolt	M14 x 1.5 x 75 - 10.9 (x10) use with hub assembly model ... 0501 and ... 0601 (last 4 digits on component).	JAE 00 208 104 14 10	2

Repair and retrofit kits

Item	Description	Remark	Order No. brake calliper type SN7-22.5"	quantity per axle
04	RK Brake pad	for one axle	JAE 02 504 010 20	1
05	RK Thrust pad	SN6, SN7, SK7	JAE 01 504 049 82	2
	RK Thrust pad	SB6, SB7	JAE 01 504 023 82	2
06	RK Caliper	left	JAE 02 504 083 83	1
	RK Caliper	right	JAE 02 504 084 83	1
07	RK Seal and guide	with DU slide bearing (SN7, SK7)	JAE 01 504 056 82	2
	RK Seal and guide	Bellows/ open slide pin (SN6, SB6, SB7) not shown	JAE 01 504 061 74	2
08	RK ABS sensor		JAE 02 504 100 55	2
09	RK Brake calliper screw connection		JAE 30 504 101 55	2
10	RK Wear sensor	Wired version not shown	JAE 02 104 001 18	1

Brake SK7-22,5"

Spare parts für Typ SK7-22,5", TDB 0815/0875



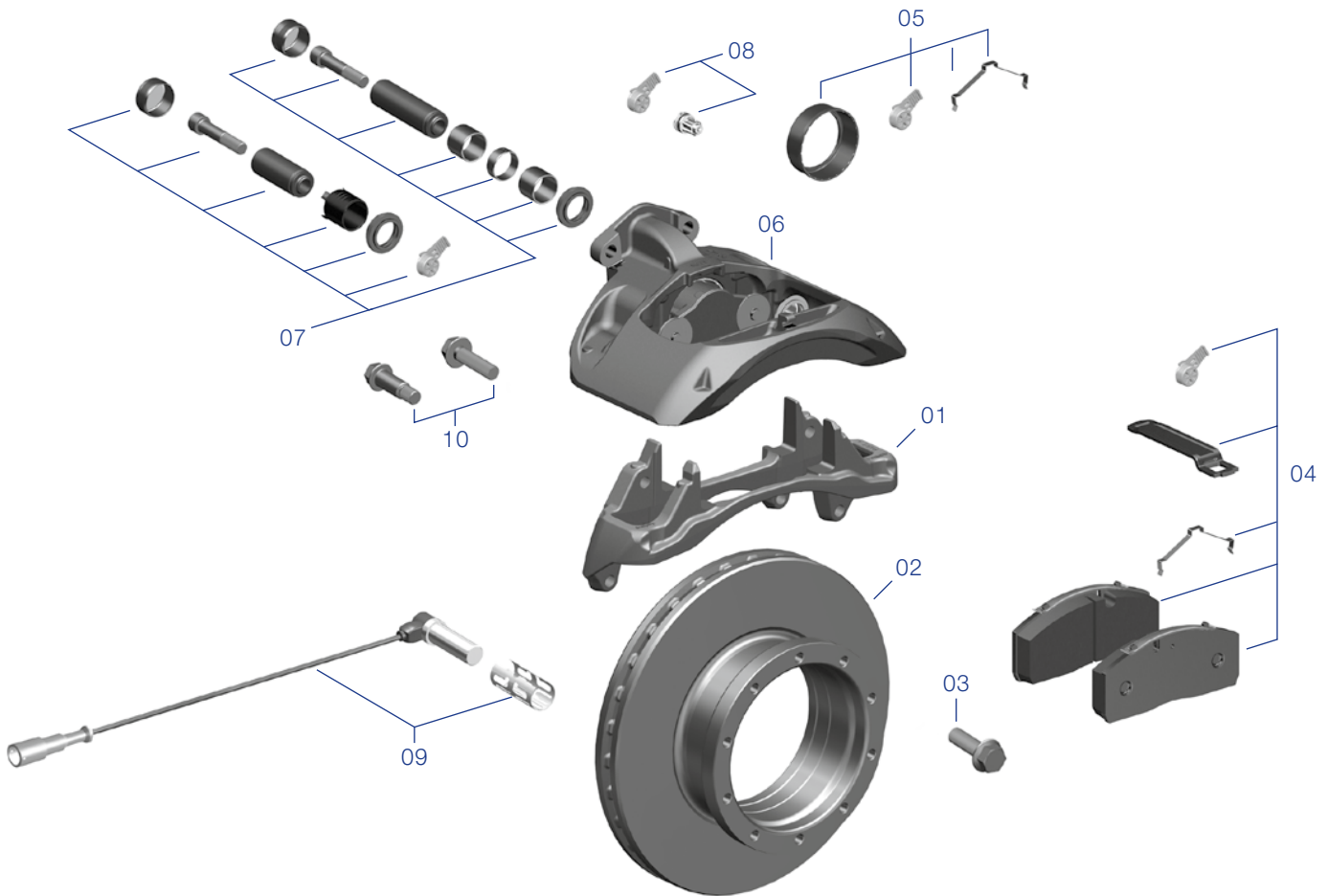
Item	Description	Remark	Order No. brake calliper type SK7-22.5"	quantity per axle
01	Brake carrier		JAE 02 104 039 06	2
02	Brake disc	22.5"	JAE 01 104 001 12	2
03	Bolt	M14 x 1.5 x 45 - 10.9 (x10) use with hub assembly model ... 2601 and ... 2801 (last 4 digits on component).	JAE 00 208 100 14 10	2
	Bolt	M14 x 1.5 x 75 - 10.9 (x10) Use with hub assembly model ... 0501 and ... 0601 (last 4 digits on component).	JAE 00 208 104 14 10	2

Repair and retrofit kits

Item	Description	Remark	Order No. brake calliper type SK7-22.5"	quantity per axle
04	RK Brake pad	for on axle	JAE 02 504 070 20	1
05	RK Thrust pad	SN6, SN7, SK7	JAE 01 504 049 82	2
06	RK Caliper	left	JAE 02 504 091 83	1
	RK Caliper	right	JAE 02 504 092 83	1
07	RK Seal and guide	with DU slide bearing (SN7, SK7)	JAE 01 504 056 82	2
08	RK ABS sensor		JAE 02 504 100 55	2
09	RK Brake calliper screw connection		JAE 30 504 101 55	2
10	RK Wear sensor	Wired version not shown	JAE 02 104 001 18	1

Brake JOST DCA-L7-22,5"

Spare parts für Typ DCA-L7-22,5", TDB 0877



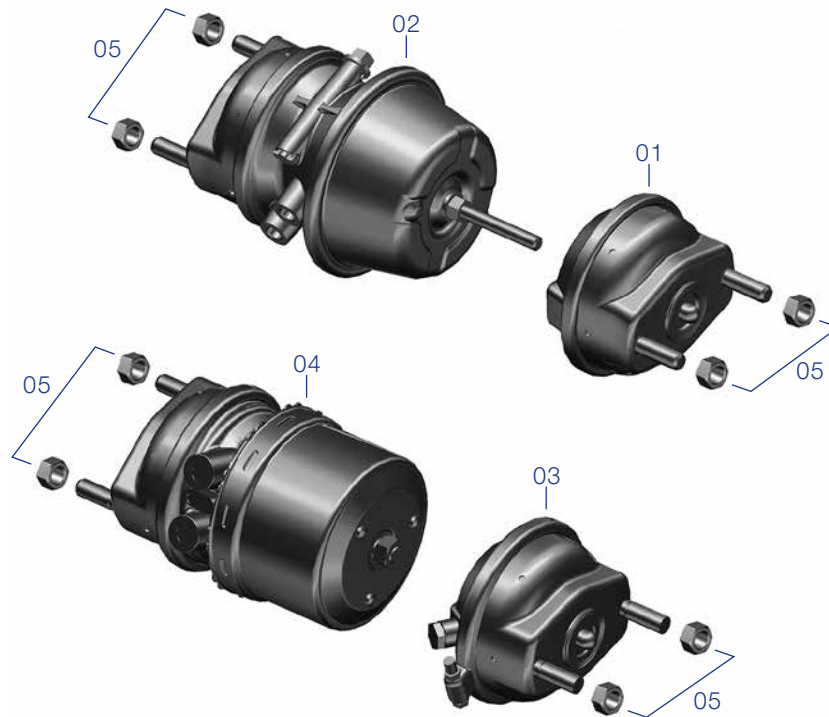
Item	Description	Remark	Order No. brake calliper type DCA-L7-22.5"	quantity per axle
01	Brake carrier		JAE 02 504 100 06	2
02	Brake disc	22.5"	JAE 01 104 001 12	2
03	Bolt	M14 x 1.5 x 45 - 10.9 (x10)	JAE 00 208 100 14 10	2

Repair and retrofit kits

Item	Description	Remark	Order No. brake calliper type DCA-L7-22.5"	quantity per axle
04	RK Brake pad	for on axle	JAE 02 504 100 20	1
05	RK Piston bellows		JAE 02 504 100 86	2
06	RK Caliper	left	JAE 02 504 100 83	1
	RK Caliper	right	JAE 02 504 101 83	1
07	RK Seal and guide		JAE 02 504 100 63	2
08	RK Brake adjuster		JAE 02 504 100 07	2
09	RK ABS sensor		JAE 02 504 100 55	2
10	RK Brake calliper screw connection		JAE 30 504 101 55	2
11	RK Wear sensor	Wired version not shown	JAE 02 504 100 17	1
12	RK Tool set for brake repair	not shown	JAW 02 704 100 00	

Brake chambers

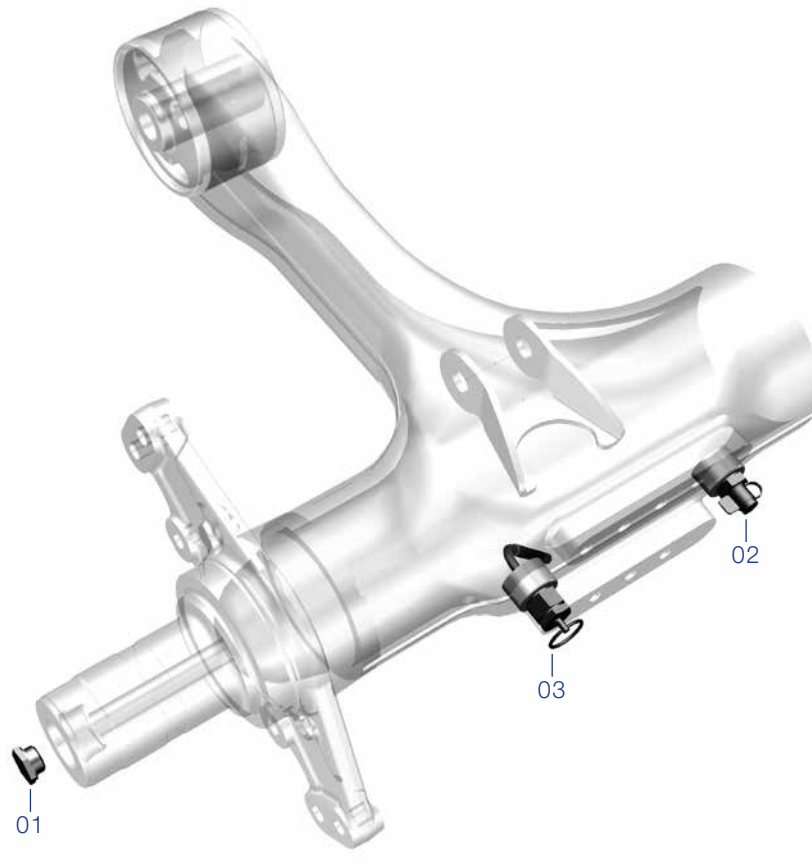
Spare parts



Item	Description	Remark/ installation in direction of travel	Order No.	quantity per axle
01	Diaphragm brake chamber	16" /left & right/closed clamping ring	JAE 02 104 085 24	2
02	Double diaphragm brake chamber	16/24" /left & right	JAE 02 104 065 18	2
03	Diaphragm brake chamber	16" /left & right /screwed clamping ring	JAE 02 104 052 24	2
	Diaphragm brake chamber	20" /left & right /screwed clamping ring	JAE 02 104 012 24	2
	Diaphragm brake chamber	22" /left & right /screwed clamping ring	JAE 02 104 013 24	2
	Diaphragm brake chamber	24" /left & right /screwed clamping ring	JAE 02 104 014 24	2
04	Piston brake chamber	16/16" /left	JAE 02 104 088 18	1
	Piston brake chamber	16/16" /right	JAE 02 104 089 18	1
	Piston brake chamber	16/24" /left	JAE 02 104 053 18	1
	Piston brake chamber	16/24" /right	JAE 02 104 052 18	1
	Piston brake chamber	20/24" /left	JAE 02 104 055 18	1
	Piston brake chamber	20/24" /right	JAE 02 104 056 18	1
05	Nut	M16 x 1.5 x 10.9 (x2)	JAE 00 209 100 16 02	2

DCA AIRMASTER (Axle with compressed air reservoir)

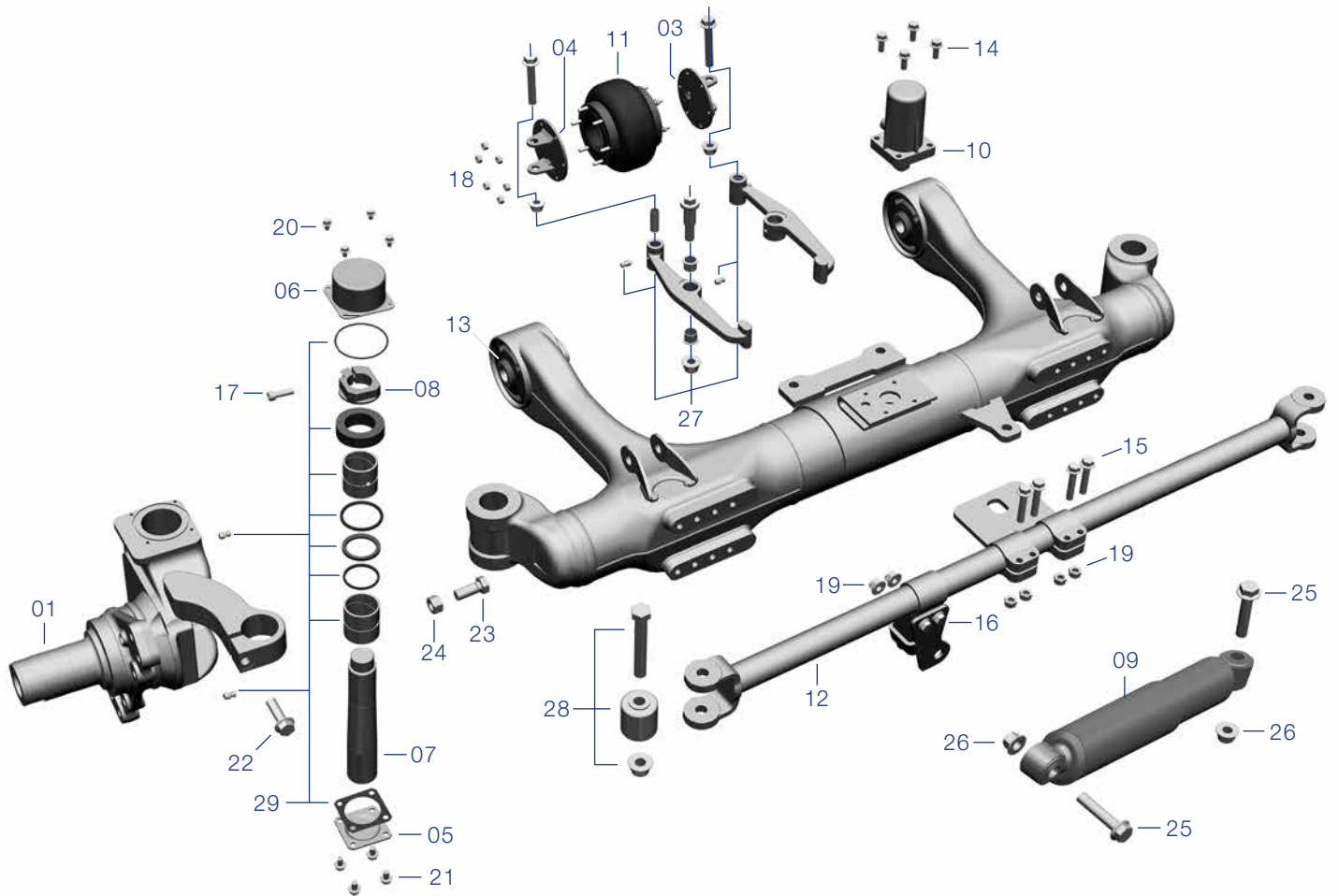
Spare parts



Item	Description	Remark	Order No.	quantity per axle
01	Threaded plug		JAE 33 202 019 17	2
02	Test connection		JAE 33 102 000 31	1
03	Drain valve		JAE 33 202 000 21	1

DCA STEERMASTER (steering axle)

Spare parts



DCA STEERMASTER (steering axle)

Spare parts

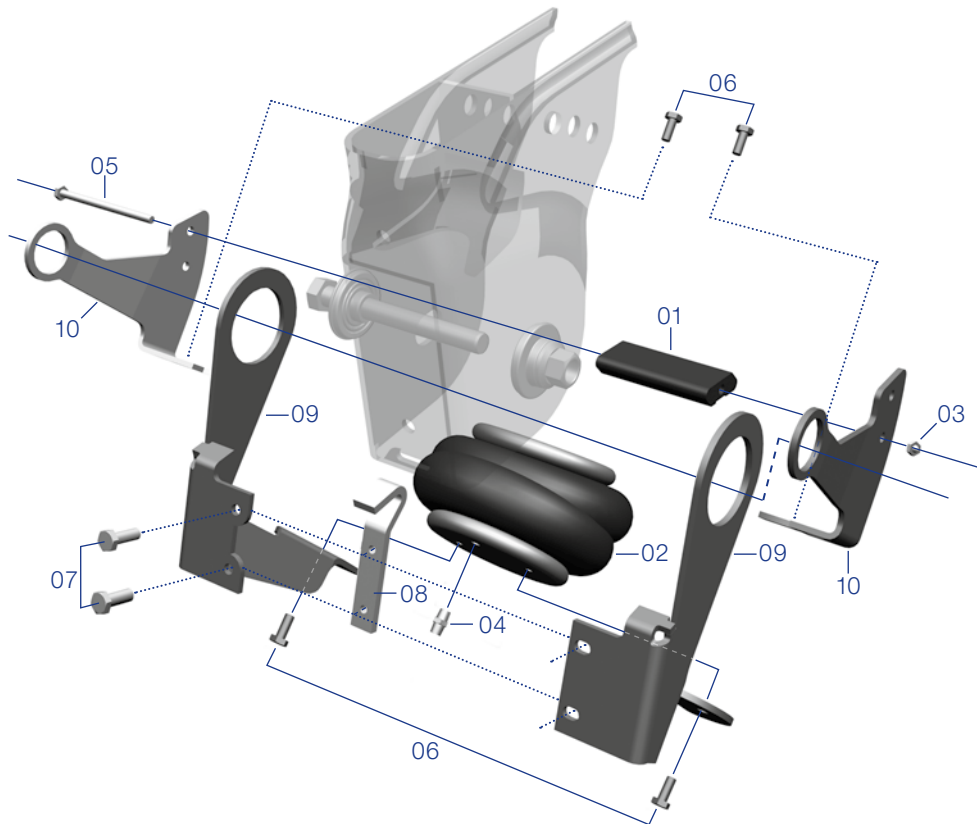
Item	Description	Remark	Order No.	quantity per axle
01	Steering knuckle	left	JAE 02 106 010 44	1
02	Steering knuckle	right (not shown)	JAE 02 106 011 44	1
03	Plate	with air connection, compensating bellows for tracking	JAE 02 106 000 41	1
04	Plate	Compensating bellows for tracking	JAE 02 106 001 41	1
05	Bottom cover kingpin		JAE 02 106 001 20	2
06	Top cover kingpin		JAE 02 106 002 20	2
07	Kingpin		JAE 02 106 000 74	2
08	Clamping nut		JAE 02 106 000 72	2
09	Steering shock absorber		JAE 02 106 000 47	1
10	Locking cylinder		JAE 02 106 000 22	1
11	Compensating bellows for tracking		JAE 02 106 000 77	1
12	Track rod	Wheel track 2040	JAE 32 106 017 07	1
	Track rod	Wheel track 2090	JAE 32 106 018 07	1
	Track rod	Wheel track 2140	JAE 32 106 019 07	1
13	3D pivot bushing	also included in RK see item 30	JAE 30 205 002 50	2
14	Bolt	M10 x 25 - 10.9	JAE 00 208 109 10	4
15	Bolt	M12 x 1.5 x 65 - 10.9	JAE 00 208 106 12	4
16	Bolt	M12 x 1.5 x 85 - 10.9	JAE 00 208 101 12	2
17	Bolt	M10 x 35 - 10.9	JAE 00 208 102 10	2
18	Nut	M8	JAE 00 209 100 08	12
19	Nut	M12 x 1.5	JAE 00 209 100 12	6
20	Bolt	M8 x 16 - 10.9	JAE 00 208 100 08	8
21	Bolt	M10 x 16 - 10.9	JAE 00 208 110 10	8
22	Bolt	M16 x 1.5 x 60 - 10.9	JAE 00 208 102 16	2
23	Bolt	M20 x 70 - 10.9	JAE 00 208 108 20	2
24	Nut	M20	JAE 00 209 101 20	2
25	Bolt	M20 x 1.5 x 100 - 10.9	JAE 00 208 101 20	2
26	Nut	M20 x 1.5	JAE 00 209 100 20	2

Repair and retrofit kits

Item	Description	Remark	Order No.	quantity per axle
27	RK Centering Levers		JAE 22 506 000 27	1
28	RK Track rod adjustment		JAE 02 506 018 03	1
29	RK Steering knuckle bearing		JAE 02 506 006 20	1
30	RK 3D pivot bushing with RK pivot bolt set	not shown, see p. 11 "Suspension connection, front" item 07	JAE 30 505 100 50	1
31	RK Grease nipples with protective caps	not shown	JAE 02 511 100 88	1

Twin lift

Spare parts for series: ... 2370 ¹⁾, version up to 12/2007



Item	Description	Remark	Order No.	quantity per axle
01	Rubber stop		JAE 30 207 000 44	2
02	Air bellow		JAE 20 107 016 01	2
03	Nut	M10 (x2)	JAE 00 209 100 10 02	1
04	Air connection		JAE 30 107 002 64	2
05	Bolt	M10 x 160 - 8.8	JAE 00 208 002 01	2
06	Bolt	M10 x 20 - 8.8 (x4)	JAE 30 208 008 01 04	1
07	Bolt	M10 x 25 - 8.8 (x2)	JAE 00 208 004 01 02	1
08	Retaining hook		JAE 30 107 032 40	2

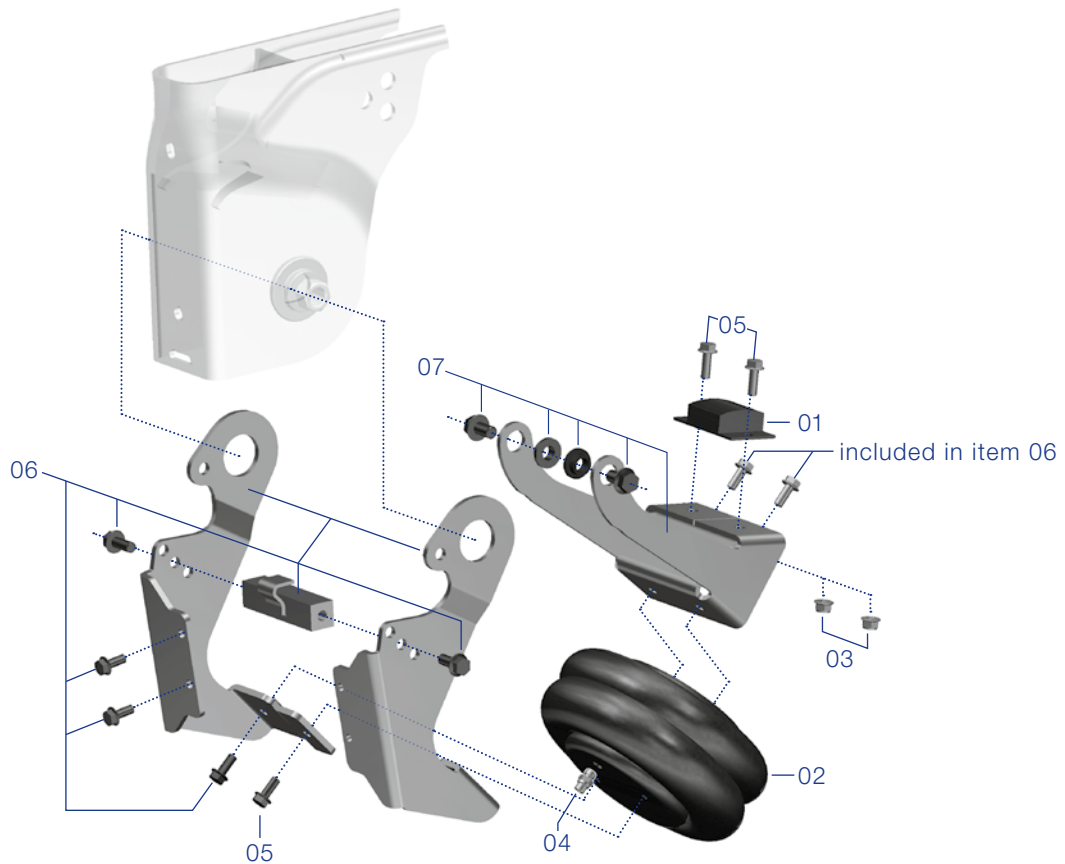
Repair and retrofit kits

Item	Description	Remark	Order No.	quantity per axle
09	RK Lift bellows support bracket pair		JAE 30 507 002 40	2
10	RK Lift bellows guide bracket pair		JAE 30 507 003 40	2

1) This lift assembly can be completely replaced by 2x JAE 30 507 100 70.

Twin lift

Spare parts for series: ... 3070, version as of 01/2008



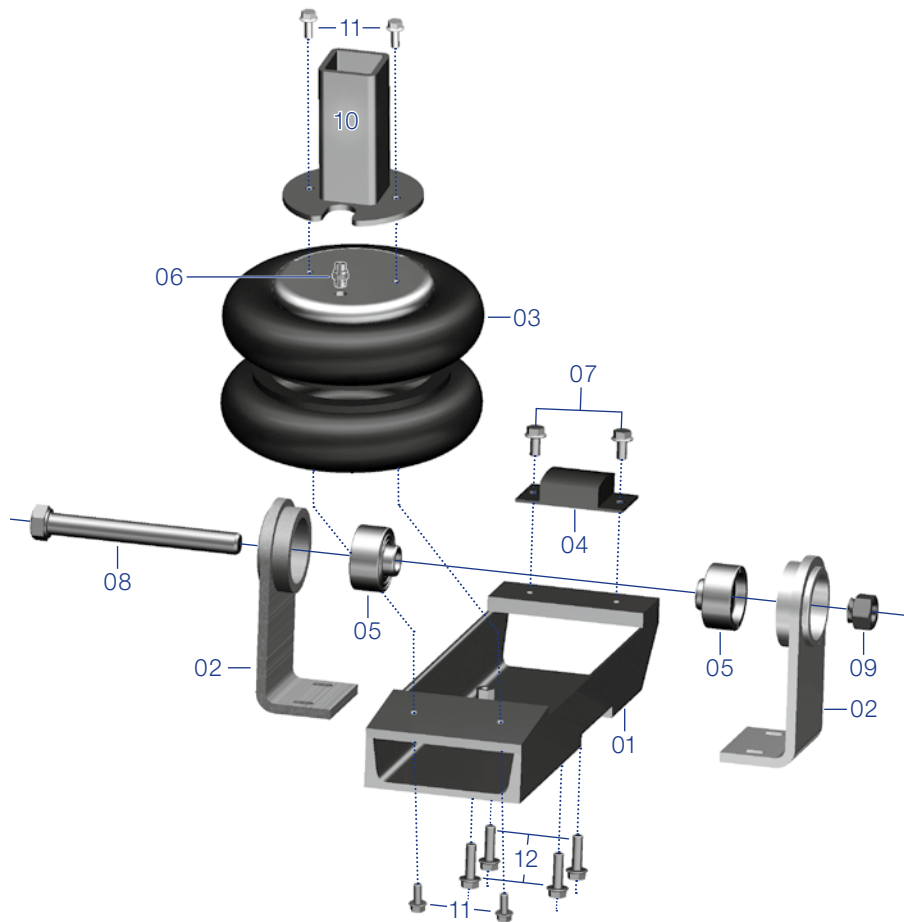
Item	Description	Remark	Order No.	quantity per axle
01	Rubber stop		JAE 30 207 001 44	2
02	Air bellow		JAE 20 107 016 01	2
03	Nut	M10 (x2)	JAE 00 209 102 10 02	2
04	Air connection		JAE 30 107 002 64	2
05	Bolt	M10 x 30 - 10.9	JAE 00 208 106 10	6

Repair and retrofit kits

Item	Description	Remark	Order No.	quantity per axle
06	RK Lift bellows support bracket pair		JAE 30 507 004 40	2
07	RK Lift bellows guide bracket pair		JAE 30 507 005 40	2
08	RK Complete lift	one side only	JAE 30 507 100 70	2

Twin lift “rocker”

Spare parts for series: ... 2870



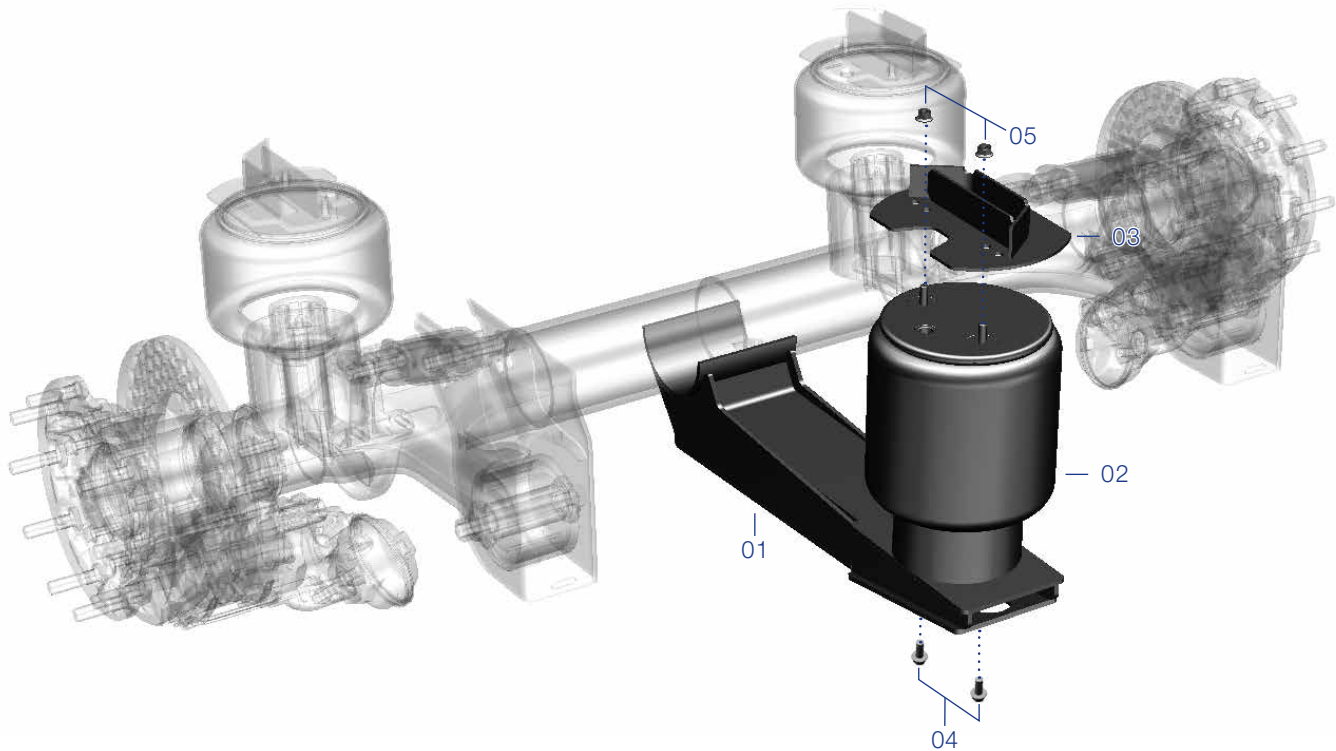
Item	Description	Remark	Order No.	quantity per axle
01	Axle lift arm		JAE 30 207 018 06	2
02	Bracket		JAE 30 207 001 38	4
03	Air bellows	Rocker lift	JAE 30 107 024 01	2
04	Rubber stop		JAE 30 207 001 44	2
05	Lift pivot bushing		JAE 00 108 001 86	4
06	Air connection		JAE 30 107 000 62	2
07	Bolt	M10 x 20 - 10.9 (x2)	JAE 00 208 107 10 02	2
08	Bolt	M22 x 1.5 x 195 - 10.9	JAE 30 208 000 00	2
09	Wheel nut	M22 x 1.5	JAE 00 209 006 72	2
10	Air bellows pedestal	H = 295 (shorten if required)	JAE 30 107 080 35	2
11	Bolt	M8 x 20 - 8.8 (x4)	JAE 00 208 104 08 04	2
12	Bolt	M10 x 35 - 10.9 (x4)	JAE 00 208 111 10 04	2

Repair and retrofit kits

Item	Description	Remark	Order No.	quantity per axle
13	RK Twin lift “rocker”	not shown 2 x item 02, 2 x item 05, 1 x item 12	JAE 30 507 100 55	2

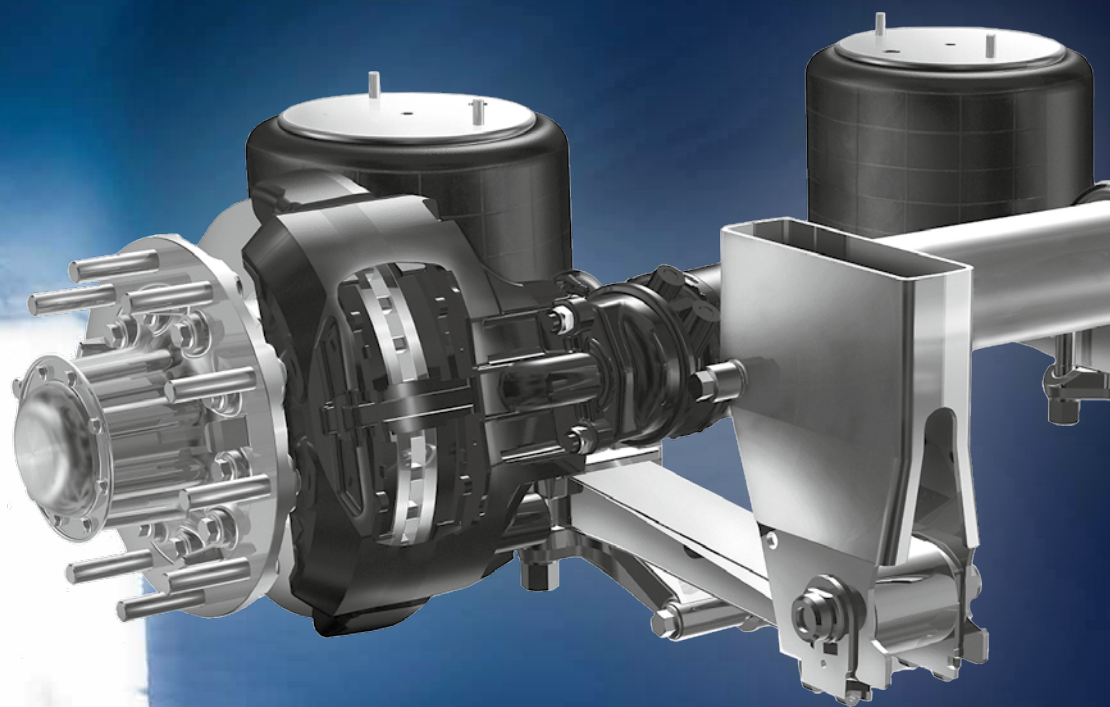
Center lift

Spare parts for series: ... 1870



Item	Description	Remark	Order No.	quantity per axle
01	Arm	Center lift DCA	JAE 30 107 009 06	1
02	Air bellows	300 S	JAE 30 105 014 01	1
03	Air bellows pedestal	H = 200	JAE 02 205 018 35	2
04	Bolt	M12 x 30 -10.9	JAE 00 208 100 12	2
05	Nut	M12	JAE 00 209 002 50	2

Spare parts for DLS axles



JOST spare parts for DLS axles

1. DLS – Durable Leaf Suspension the conventional leaf spring system



The Durable Leaf Suspension trailer axle (DLS) is the perfect suspension solution for all trailer applications with a 10.5 t axle load. The DLS installation combines proven steel leaf springs, standard airbags and shock absorbers with conventional axle beam and wheel end technology.

This axle system is suitable for on and off highway use. The DLS is suitable for most 22.5" wheel applications (axle type TZ5/2) and 19.5" wheel applications (axle type TZ3/2) with 19.5" brake. The intelligent arrangement of wheel hub and brake disc ensures optimal heat management. The brake disc is made of wear-proof alloy (Mercedes-Benz Patent) and all wear parts are structurally identical with those used on the Mercedes-Benz truck axles. This ensures simplified maintenance, increased safety and low lifecycle costs.

The reliable and quick supply of original spare parts through the JOST distribution network is also available for DSL axles. In addition to the spare parts for the 10.5 t DLS axles, JOST Achsen Systeme also offers spare parts for 9 t DLS axles that are no longer in serial production.

The 9 t axle types TL5/1, TL4/1, TE5/1/2/3, TE4/1/2/3, TZ5/1/3/4 and TZ4/1/2/3 are supplied to the same high quality you are accustomed to.

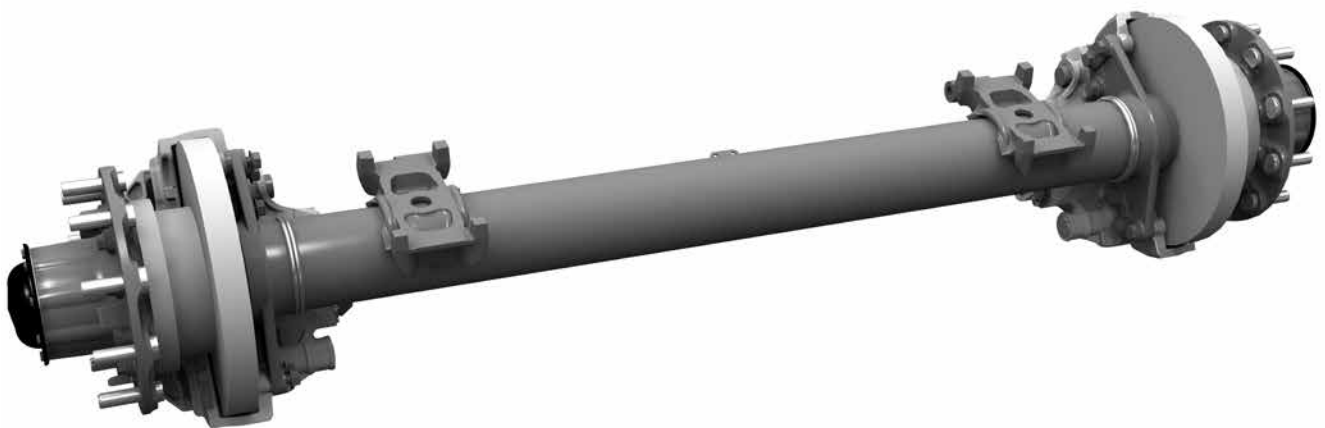


Replacement axle for DLS axles

Spare parts

1. Axle replacement

You will receive a replacement axle that is customized to suit your wheel track with wheel hub unit, brake and welded spring saddles, if required. (Scope of delivery, see Figure). You can request them from your distributor.



An order for replacement axles and/or replacement axle casings requires the inclusion of the "serial no." and/or "SN" from the type plate of the axle. Model and/or axle descriptions are insufficient because the various specifications, such as wheel/spring link combinations, cannot be identified with this information and spare parts can thereby not be identified.

If it is not possible to determine the spare part, contact the vehicle manufacturer and/or our Service Hotline.

Please order the appropriate repair sets for the bolted connections to mount hanger brackets and shock absorbers. (see from page 38)

Pivot bolts and shock absorber fasteners are installed with torque/angle tightening methods. The material of bolted connections may be damaged after unbolting. Never reuse these fasteners. Always replaced with new Jost original quality parts.

For questions about spare parts please contact:

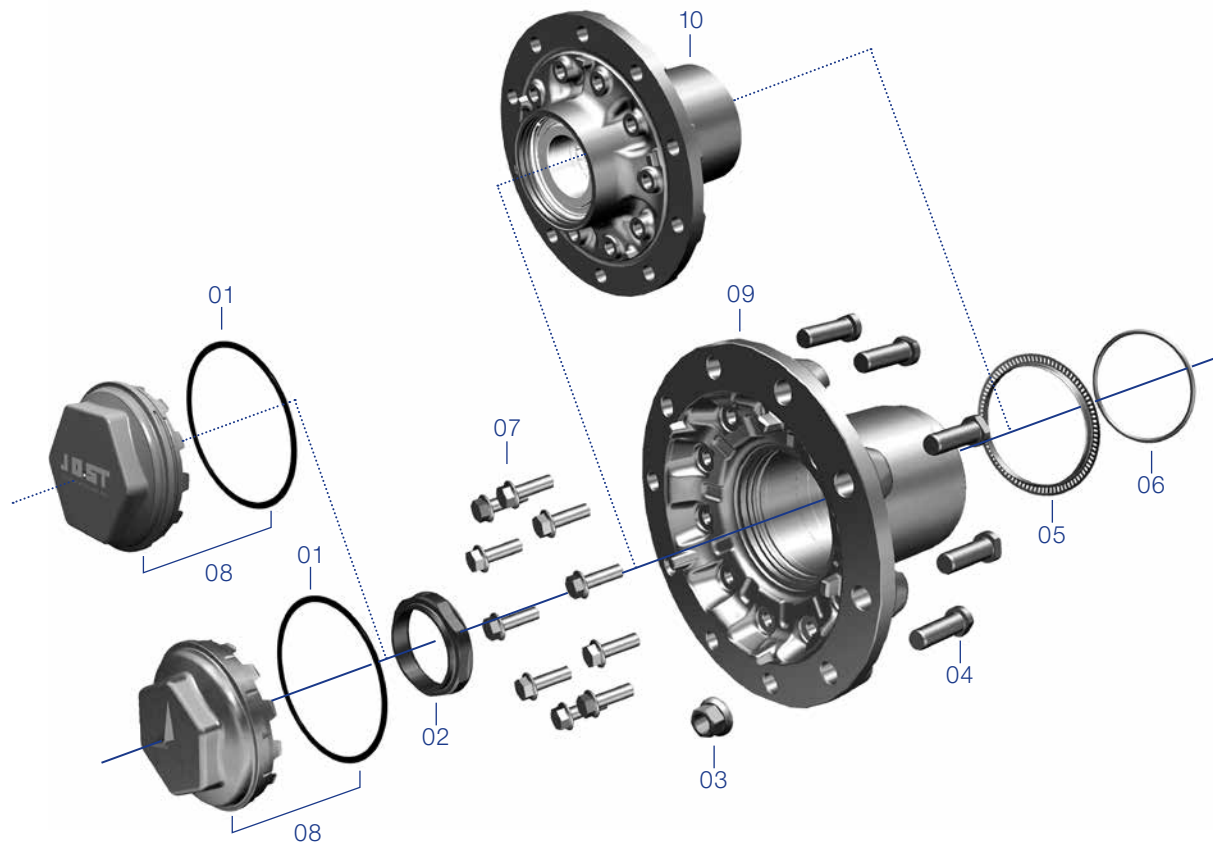
JOST-Werke Deutschland GmbH
Phone: +49 6102 295-0

For technical questions about maintenance & repair please contact:

JOST Achsen Systeme GmbH
Phone: +49 5674 9237-240

Hub assembly version 9t, compact bearing

Spare parts for TL5/1, TL4/1, TE5/1/2/3, TE4/1/2/3, TZ5/1/3/4, TZ4/1/2/3



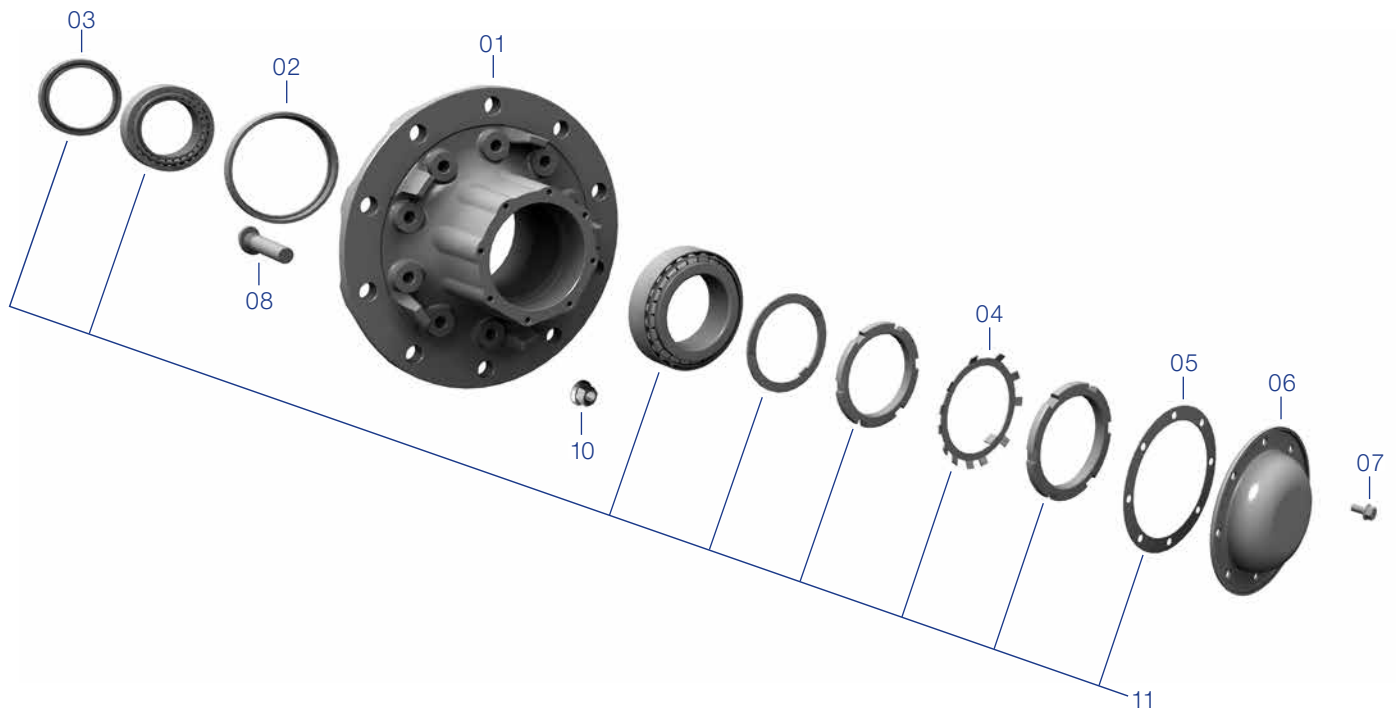
Item	Description	Remark	Order No.	quantity per axle
01	O-ring	Ø 142	JAE 02 103 088 48	2
02	Axle end nut	M 80 x 1.5 RH (right side of vehicle)	JAE 01 209 000 50	1
	Axle end nut	M 80 x 1.5 LH (left side of vehicle)	JAE 01 209 001 50	1
03	Wheel nut	M 22 x 1.5	JAE 00 209 006 72	20
	Wheel nut	M 22 x 1.5 (x 10)	JAE 00 209 006 72 10	2
	Wheel nut with collar	M 22 x 1.5	JAE 00 209 023 72	20
	Wheel nut with collar	M 22 x 1.5 (x 10)	JAE 00 209 023 72 10	2
04	Wheel bolt	M 22 x 1.5 x 80	JAE 01 208 024 71	20
	Wheel bolt	M 22 x 1.5 x 80 (x 10)	JAE 01 208 024 71 10	2
05	ABS ring	90 tooth	JAE 02 203 005 15	2
06	O-ring	Ø 80	JAE 02 103 097 48	2
07	Bolt	depending on hub/braketype (see brake item 03)		

Repair and retrofit kits

Item	Description	Remark	Order No.	quantity per axle
08	RK Hub cap	Type „Star“ and item 01	JAE 02 503 004 20	2
	RK Hub cap	Type „JOST“ and item 01	JAE 02 503 100 20	2
09	RK 120 mm offset hub assembly	incl. compact bearing, item 01 and item 06, for hub assembly model ... 0501, ... 2601 and ... 2801 (last 4 digits on component).	JAE 02 503 028 01	2
10	RK 0 mm offset hub assembly	incl. compact bearing, item 01 and item 06, for hub assembly model ... 0601 (last 4 digits on component).	JAE 02 503 009 35	2
11	High temp. assembly paste	100 g tube, not shown	JAE 00 403 080 51	
	High temp. assembly paste	100 g tube (x 12), not shown	JAE 00 403 080 51 12	

Hub assembly version 10.5 t, conventional bearing

Spare parts for TZ3/2 and TZ5/2



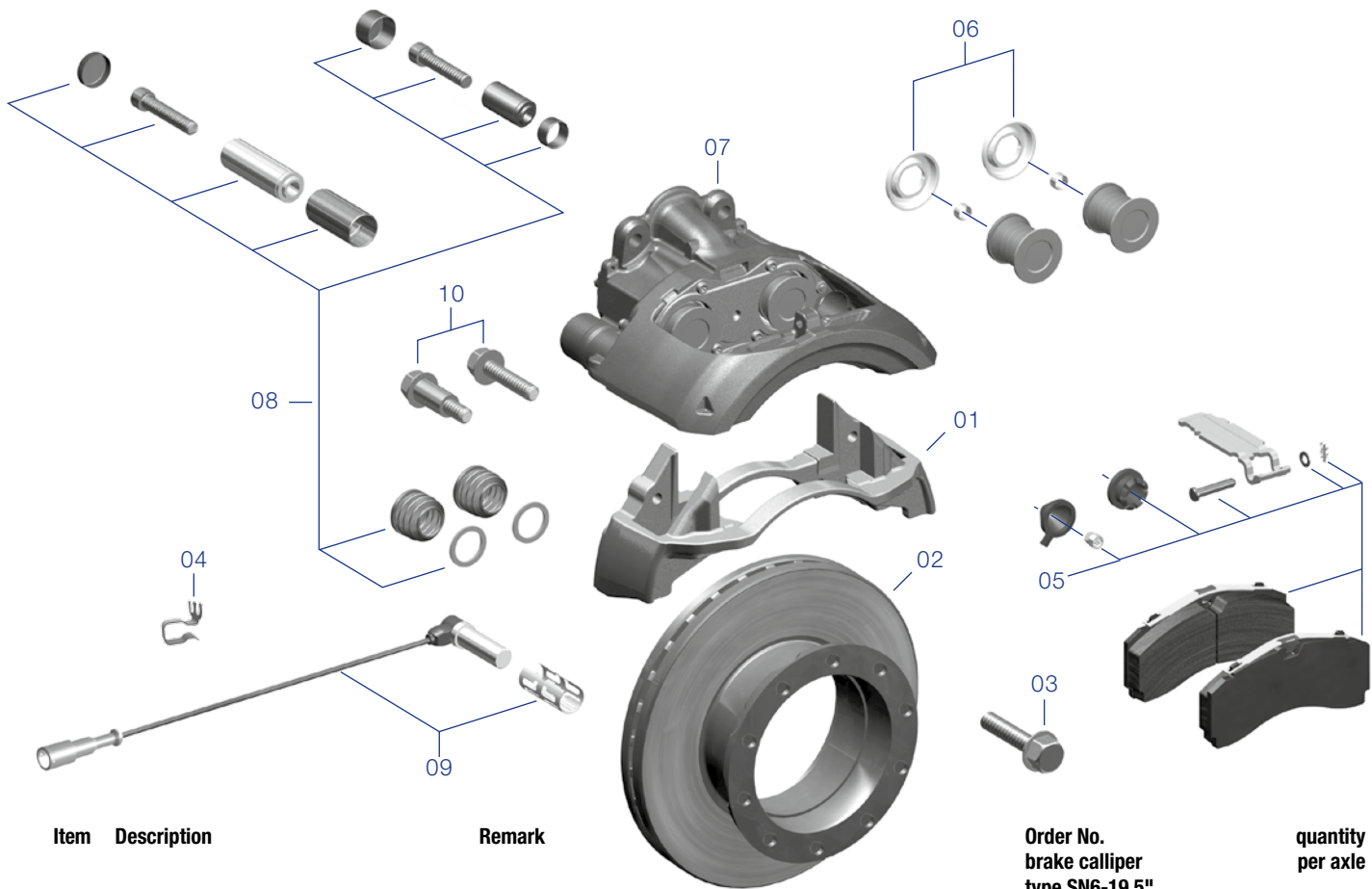
Item	Description	Remark	Order No.	quantity per axle
01	Hub assembly	TZ5/2	JAE 01 203 013 01	2
	Hub assembly	TZ3/2	JAE 01 203 034 01	2
02	ABS ring	100 tooth for TZ5/2	JAE 02 203 003 17	2
	ABS ring	80 tooth for TZ3/2	JAE 01 203 001 15	2
03	Cassette seal	TZ5/2	JAE 01 103 069 47	2
	Cassette seal	TZ3/2	JAE 01 203 073 46	2
04	Tab washer		JAE 02 210 000 73	2
05	Hub cap gasket		JAE 01 203 000 80	2
06	Hub cap	conventional bearing, bolted	JAE 02 203 001 20	2
07	Bolt	M8 x 16 - 10.9	JAE 00 208 100 08	16
08	Wheel bolt	M22 x 1.5 x 68 for TZ3/2 and TZ5/2	JAE 01 208 023 71	16/20
	Wheel bolt	M22 x 1.5 x 68 (x10)	JAE 01 208 023 71 10	2
	Wheel bolt	M22 x 1.5 x 80 for TZ3/2 and TZ5/2	JAE 01 208 024 71	16/20
	Wheel bolt	M22 x 1.5 x 80 (x10)	JAE 01 208 024 71 10	2
	Wheel bolt	M22 x 1.5 x 110 for TZ3/2 and TZ5/2	JAE 01 208 037 71	16/20
	Wheel bolt	M22 x 1.5 x 110 (x10)	JAE 01 208 037 71 10	2
09	Thrust ring – axle journal	not shown	JAE 20 203 002 15	2
10	Wheel nut	M22 x 1.5	JAE 00 209 006 72	20
	Wheel nut	M22 x 1.5 (x10)	JAE 00 209 006 72 10	2
	Wheel nut with collar	M22 x 1.5	JAE 00 209 023 72	20
	Wheel nut with collar	M22 x 1.5 (x10)	JAE 00 209 023 72 10	2

Repair and retrofit kits

Item	Description	Remark	Order No.	quantity per axle
11	RK Conventional bearing	TZ5/2	JAE 01 503 100 05	2
	RK Conventional bearing	TZ3/2	JAE 01 503 101 05	2

Brake SN6-19.5"

Spare parts for type SN6-19.5", TDB 0637/0874



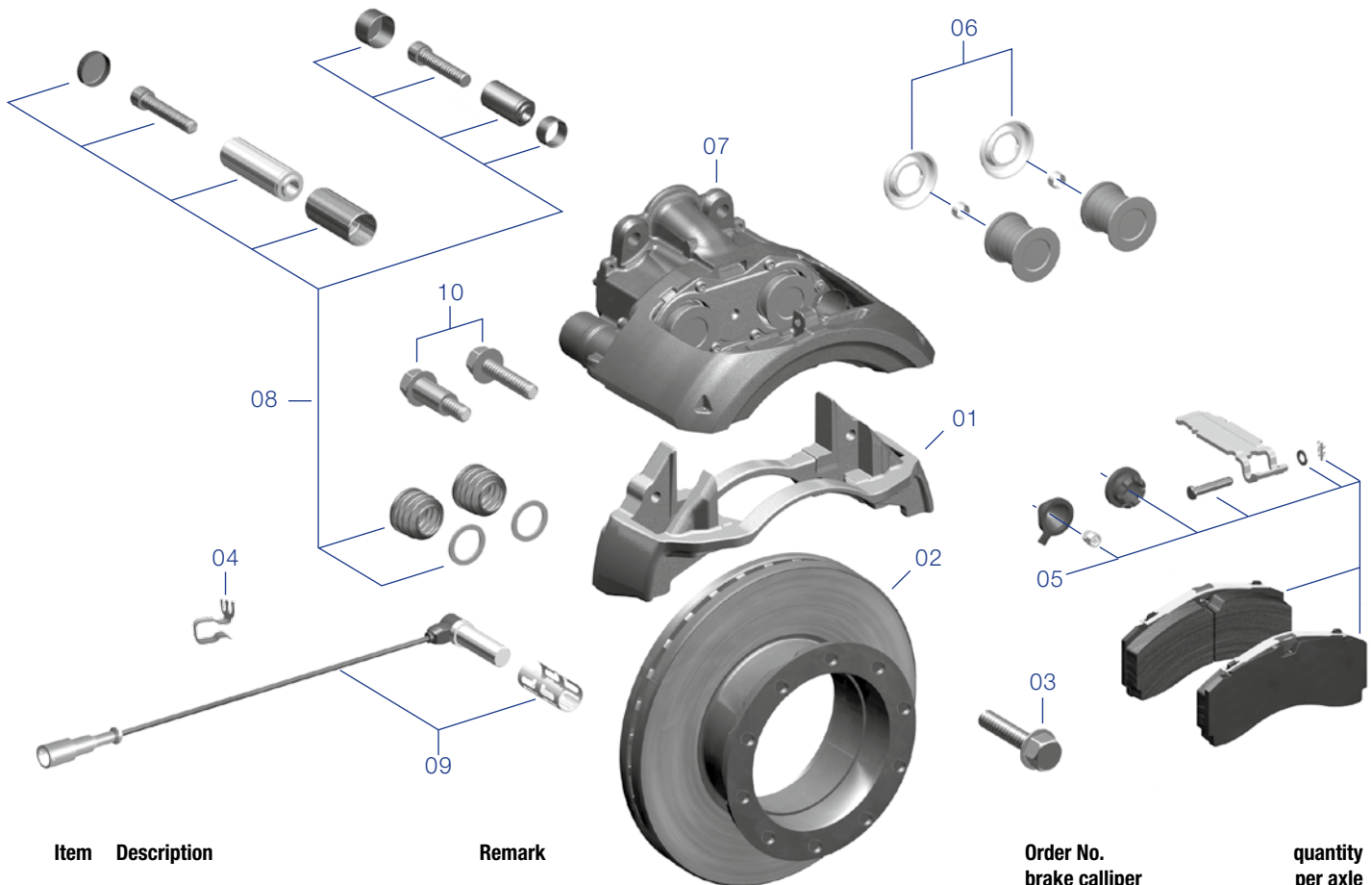
Item	Description	Remark	Order No. brake calliper type SN6-19.5"	quantity per axle
01	Brake carrier		JAE 01 104 020 06	2
02	Brake disc	19.5" - 8 hole for TZ3/2	JAE 02 104 006 12	2
	Brake disc	19.5" - 10 hole for TE4/1/2/3 and TL4/1	JAE 01 104 000 12	2
03	Bolt	M 14 x 1.5 x 45 - 10.9 (x 10) use with hub assembly model ... 2601 and ... 2801 (last 4 digits on component)	JAE 00 208 100 14 10	2
	Bolt	M 14 x 1.5 x 55 - 10.9 (x 8) use with hub assembly model ... 3401 and ... 3501 (last 4 digits on component)	JAE 00 208 102 14 08	2
	Bolt	M 14 x 1.5 x 70 - 10.9 (x 10) use with hub assembly model ... 0501 and ... 0601 (last 4 digits on component)	JAE 00 008 106 14 10	2
04	Holder for brake wear indicator and ABS connector		JAE 02 204 019 40	2

Repair and retrofit kits

Item	Description	Remark	Order No. brake calliper type SN6-19.5"	quantity per axle
05	RK Brake pad	for one axle	JAE 02 504 078 20	1
06	RK Thrust pad	SN6, SN7, SK7	JAE 01 504 049 82	2
	RK Thrust pad	SB6, SB7	JAE 01 504 023 82	2
07	RK Caliper	left	JAE 02 504 026 01	1
	RK Caliper	right	JAE 02 504 027 01	1
08	RK Seal and guide	Bellows/open slide pin (SN6, SB6, SB7) not shown	JAE 01 504 061 74	2
09	RK ABS sensor		JAE 02 504 100 55	2
10	RK Brake calliper screw connection		JAE 30 504 101 55	2
11	RK Wear sensor	Wired version not shown	JAE 02 104 001 18	1

Brake SN7-22.5"

Spare parts for type SN7-22.5", TDB 0571/0876



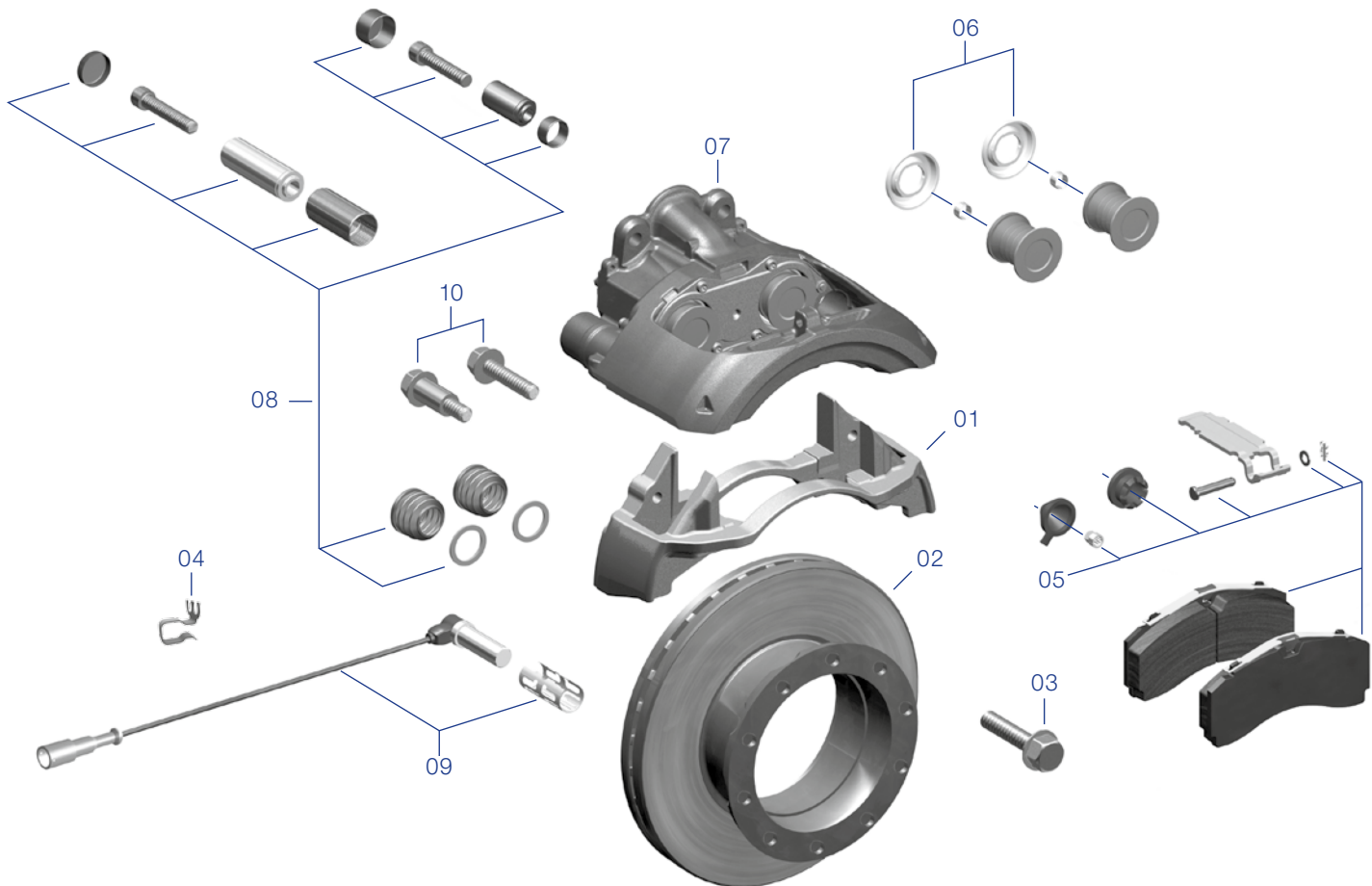
Item	Description	Remark	Order No. brake calliper type SN7-22.5"	quantity per axle
01	Brake carrier	for all types except type TZ5/2	JAE 02 104 025 06	2
	Brake carrier	for type TZ5/2	JAE 01 104 006 06	2
02	Brake disc	22.5"	JAE 01 104 001 12	2
03	Bolt	M14 x 1.5 x 45 - 10.9 (x10) use with hub assembly model ... 2601 and ... 2801 (last 4 digits on component)	JAE 00 208 100 14 10	2
	Bolt	M14 x 1.5 x 70 - 10.9 (x10) use with hub assembly model ... 1301 and ... 0101 (last 4 digits on component)	JAE 00 008 106 14 10	2
	Bolt	M14 x 1.5 x 75 - 10.9 (x10) use with TZ5/2 and hub assembly model ... 0501 and ... 0601 (last 4 digits on component)	JAE 00 208 104 14 10	2
04	Holder for brake wear indicator and ABS connector		JAE 02 204 019 40	2

Repair and retrofit kits

Item	Description	Remark	Order No. brake calliper type SN7-22.5"	quantity per axle
05	RK Brake pad	for one axle	JAE 02 504 010 20	1
06	RK Thrust pad	SN6, SN7, SK7	JAE 01 504 049 82	2
	RK Thrust pad	SB6, SB7	JAE 01 504 023 82	2
07	RK Caliper	left	JAE 02 504 083 83	1
	RK Caliper	right	JAE 02 504 084 83	1
08	RK Seal and guide	with DU slide bearing (SN7, SK7)	JAE 01 504 056 82	2
	RK Seal and guide	Bellows / open slide pin (SN6, SB6, SB7), not shown	JAE 01 504 061 74	2
09	RK ABS sensor		JAE 02 504 100 55	2
10	RK Brake calliper screw connection		JAE 30 504 101 55	2
11	RK Wear sensor	Wired version, not shown	JAE 02 104 001 18	1

Brake SK7-22.5"

Spare parts for type SK7-22.5", TDB 0815/0875



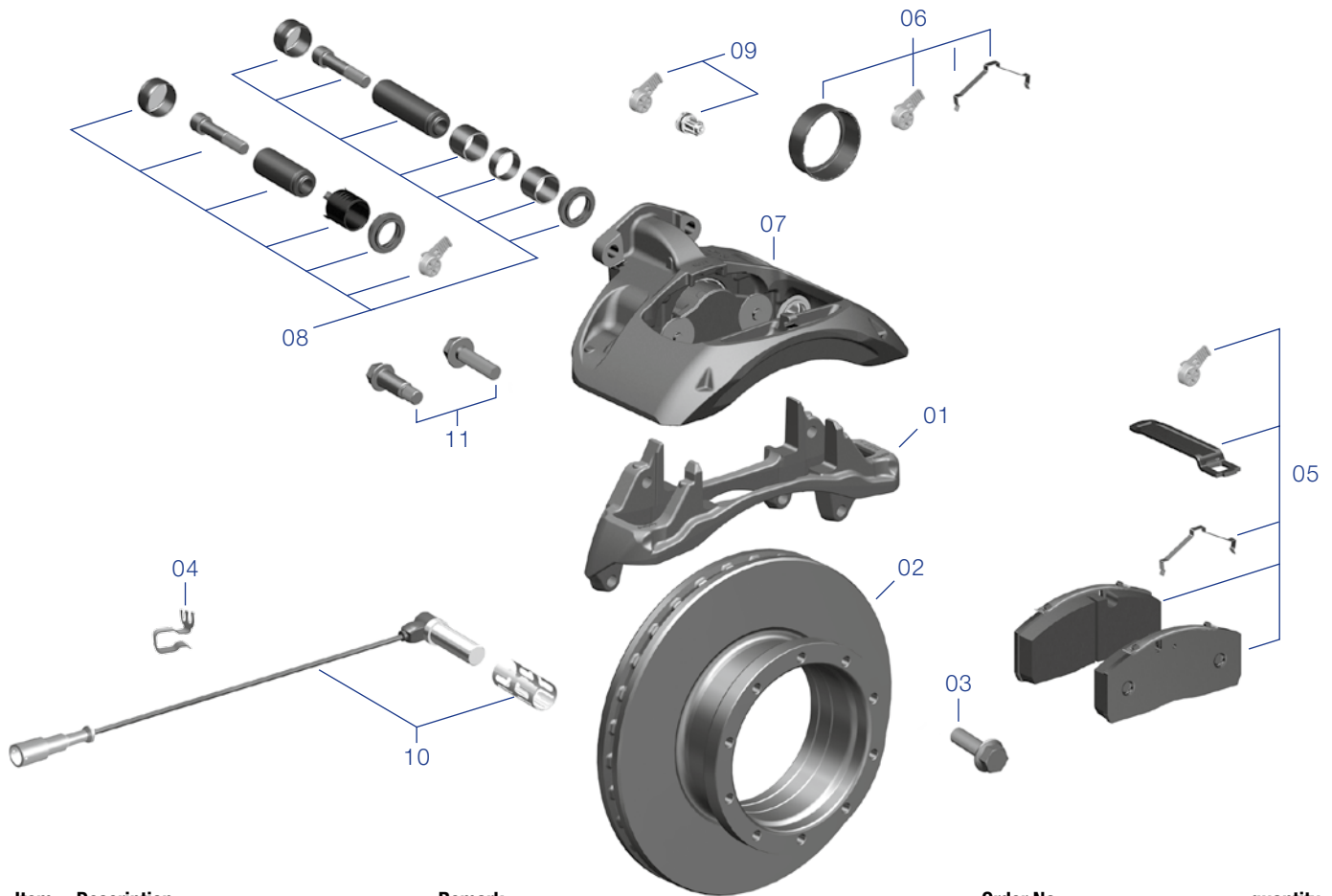
Item	Description	Remark	Order No. brake calliper type SK7-22.5"	quantity per axle
01	Brake carrier		JAE 02 104 039 06	2
02	Brake disc	22.5"	JAE 01 104 001 12	2
03	Bolt	M14 x 1.5 x 45 - 10.9 (x 10) use with hub assembly model ... 2601 and ... 2801 (last 4 digits on component).	JAE 00 208 100 14 10	2
	Bolt	M14 x 1.5 x 75 - 10.9 (x 10) use with hub assembly model ... 0501 and ... 0601 (last 4 digits on component).	JAE 00 208 104 14 10	2
04	Holder for brake wear indicator and ABS connector		JAE 02 204 019 40	2

Repair and retrofit kits

Item	Description	Remark	Order No. brake calliper type SK7-22.5"	quantity per axle
05	RK Brake pad	for on axle	JAE 02 504 070 20	1
06	RK Thrust pad	SN6, SN7, SK7	JAE 01 504 049 82	2
07	RK Caliper	left	JAE 02 504 091 83	1
	RK Caliper	right	JAE 02 504 092 83	1
08	RK Seal and guide	with DU slide bearing (SN7, SK7)	JAE 01 504 056 82	2
09	RK ABS sensor		JAE 02 504 100 55	2
10	RK Brake calliper screw connection		JAE 30 504 101 55	2
11	RK Wear sensor	Wired version, not shown	JAE 02 104 001 18	1

Brake JOST DCA-L7-22.5"

Spare parts for type DCA-L7-22.5", TDB 0877



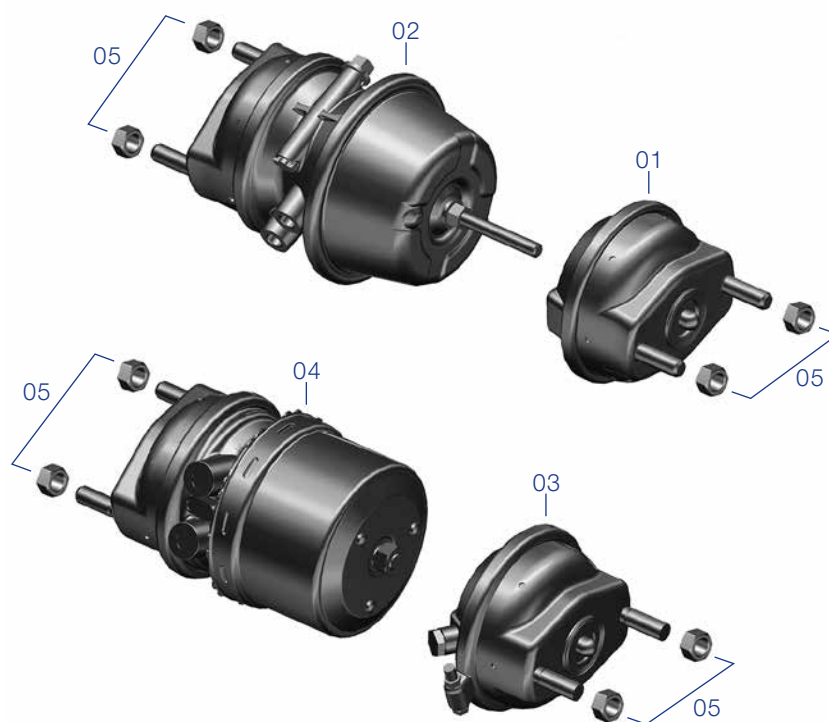
Item	Description	Remark	Order No. brake calliper type DCA-L7-22.5"	quantity per axle
01	Brake carrier		JAE 02 504 100 06	2
02	Brake disc	22.5"	JAE 01 104 001 12	2
03	Bolt	M14 x 1.5 x 45 - 10.9 (x10)	JAE 00 208 100 14 10	2
04	Holder for brake wear indicator and ABS connector		JAE 02 204 019 40	2

Repair and retrofit kits

Item	Description	Remark	Order No. brake calliper type DCA-L7-22.5"	quantity per axle
05	RK Brake pad	for on axle	JAE 02 504 100 20	1
06	RK Piston bellows		JAE 02 504 100 86	2
07	RK Caliper	left	JAE 02 504 100 83	1
	RK Caliper	right	JAE 02 504 101 83	1
08	RK Seal and guide		JAE 02 504 100 63	2
09	RK Brake adjuster		JAE 02 504 100 07	2
10	RK ABS sensor		JAE 02 504 100 55	2
11	RK Brake calliper screw connection		JAE 30 504 101 55	2
12	RK Wear sensor	wired version, not shown	JAE 02 504 100 17	1
13	RK Tool set for brake repair	not shown	JAW 02 704 100 00	

Brake chambers

Spare parts

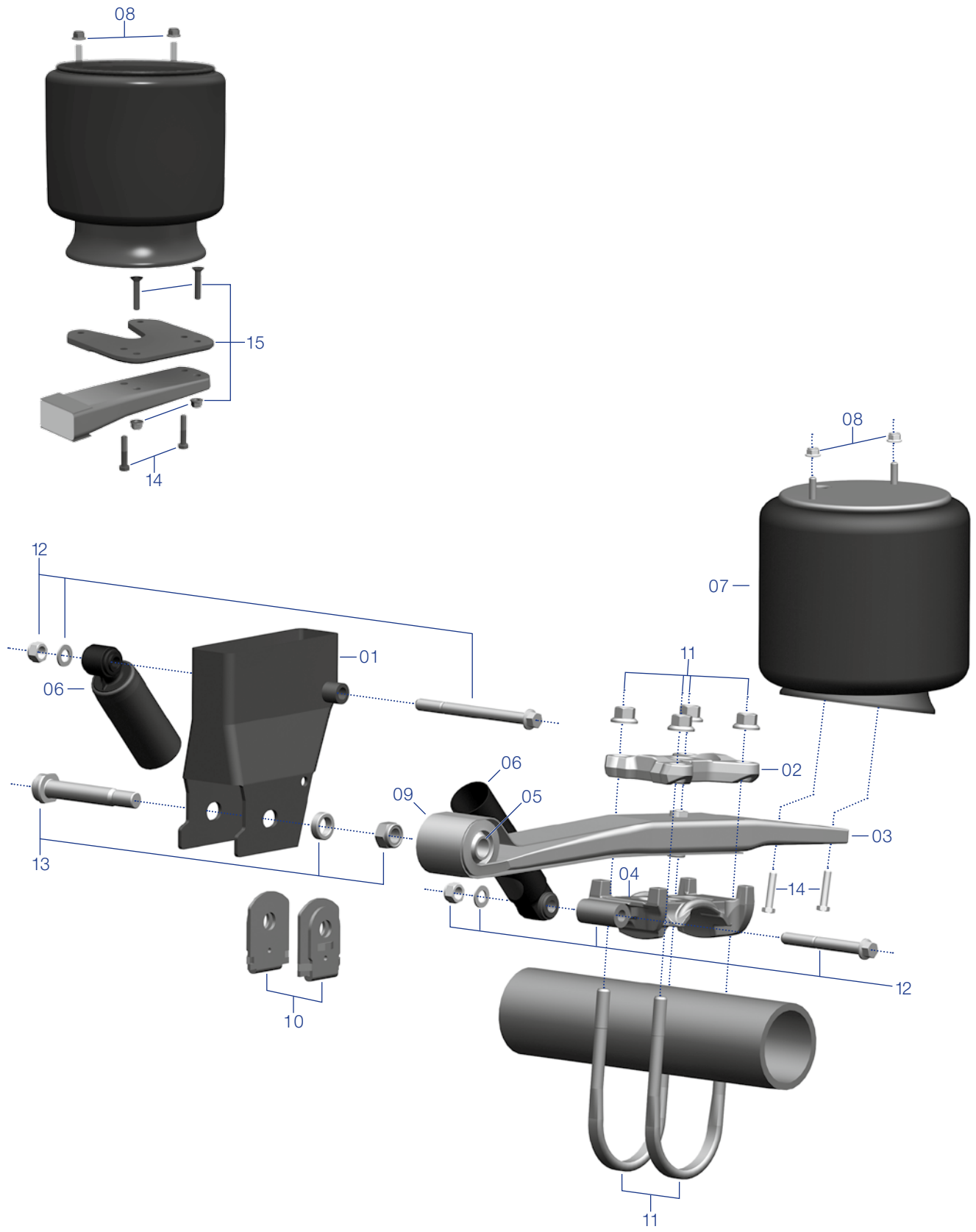


Item	Description	Remark/ installation in direction of travel	Order No.	quantity per axle
01	Diaphragm brake chamber	16" /left & right /closed clamping ring	JAE 02 104 085 24	2
02	Double diaphragm brake chamber	16/24" /left & right *	JAE 02 104 065 18	2
	Double diaphragm brake chamber	16/24" /left for suspension 710, 711, 720, 722	JAE 02 104 046 18	1
	Double diaphragm brake chamber	16/24" /right for suspension 710, 711, 720, 722	JAE 02 104 047 18	1
03	Diaphragm brake chamber	16" /left & right /screwed clamping ring	JAE 02 104 052 24	2
	Diaphragm brake chamber	20" /left & right /screwed clamping ring	JAE 02 104 012 24	2
	Diaphragm brake chamber	22" /left & right /screwed clamping ring	JAE 02 104 013 24	2
	Diaphragm brake chamber	24" /left & right /screwed clamping ring	JAE 02 104 014 24	2
04	Piston brake chamber	16/16" /left & right	JAE 20 104 061 18	2
	Piston brake chamber	16/16" /left	JAE 02 104 088 18	1
	Piston brake chamber	16/16" /right	JAE 02 104 089 18	1
	Piston brake chamber	16/24" /left	JAE 02 104 053 18	1
	Piston brake chamber	16/24" /right	JAE 02 104 052 18	1
	Piston brake chamber	20/24" /left	JAE 02 104 055 18	1
	Piston brake chamber	20/24" /right	JAE 02 104 056 18	1
05	Nut	M16 x 1.5 x 10.9 (2x)	JAE 00 209 100 16 02	2
06	Elbow joint	not shown	JAE 02 204 005 66	2

* Compensation for previous version double diaphragm brake chamber
 JAE 02 104 046 18, brake chamber 16/24" /left and
 JAE 02 104 047 18, brake chamber 16/24" /right.
 Applies to suspension 700, 701, 702, 715, 730, 731, 780, 795

Suspension connection

Spare parts for suspension order code: 700, ride high 450¹⁾



Suspension connection

Spare parts for suspension order code: 700, ride high 450 ¹⁾

Item	Description	Remark	Order No.	quantity per axle
01	Hanger bracket	H = 285	JAE 20 105 025 78	2
02	U-bolt plate	Linkarm, overslung	JAE 20 105 028 35	2
03	Linkarm	1 x 54, straight	JAE 20 105 003 06	2
04	Spring seat	welded / can not be ordered separately		
05	Pivot bush		JAE 20 105 000 17	2
06	Shock absorber		JAE 20 105 002 00	2
07	Air bellows	360 L (1D28f and 1T19L-11,5)	JAE 20 105 015 01	2
08	Nut	M12	JAE 00 209 002 50	4
09	Check strap		JAE 20 205 000 32	2

Repair and retrofit kits

Item	Description	Remark	Order No.	quantity per axle
10	RK Tracking/wear plate for hanger bracket		JAE 20 505 100 90	2
11	RK U-bolt	M22	JAE 20 505 000 47	2
12	RK Shock absorber mounting		JAE 20 505 100 55	2
13	RK Pivot bolt set		JAE 20 505 101 55	2
14	RK Screw connection for air bellows	M 12 x 50 – 10.9*, incl. item 08	JAE 20 505 103 55	2
	RK Screw connection for air bellows	M 12 x 60 – 10.9**, incl. item 08	JAE 20 505 102 55	2
15	RK Offset plate	Offset = 90	JAE 20 505 126 35	2

** At Offset = 50 in combination with air bellows with steel pistons (remove offset plate if present)

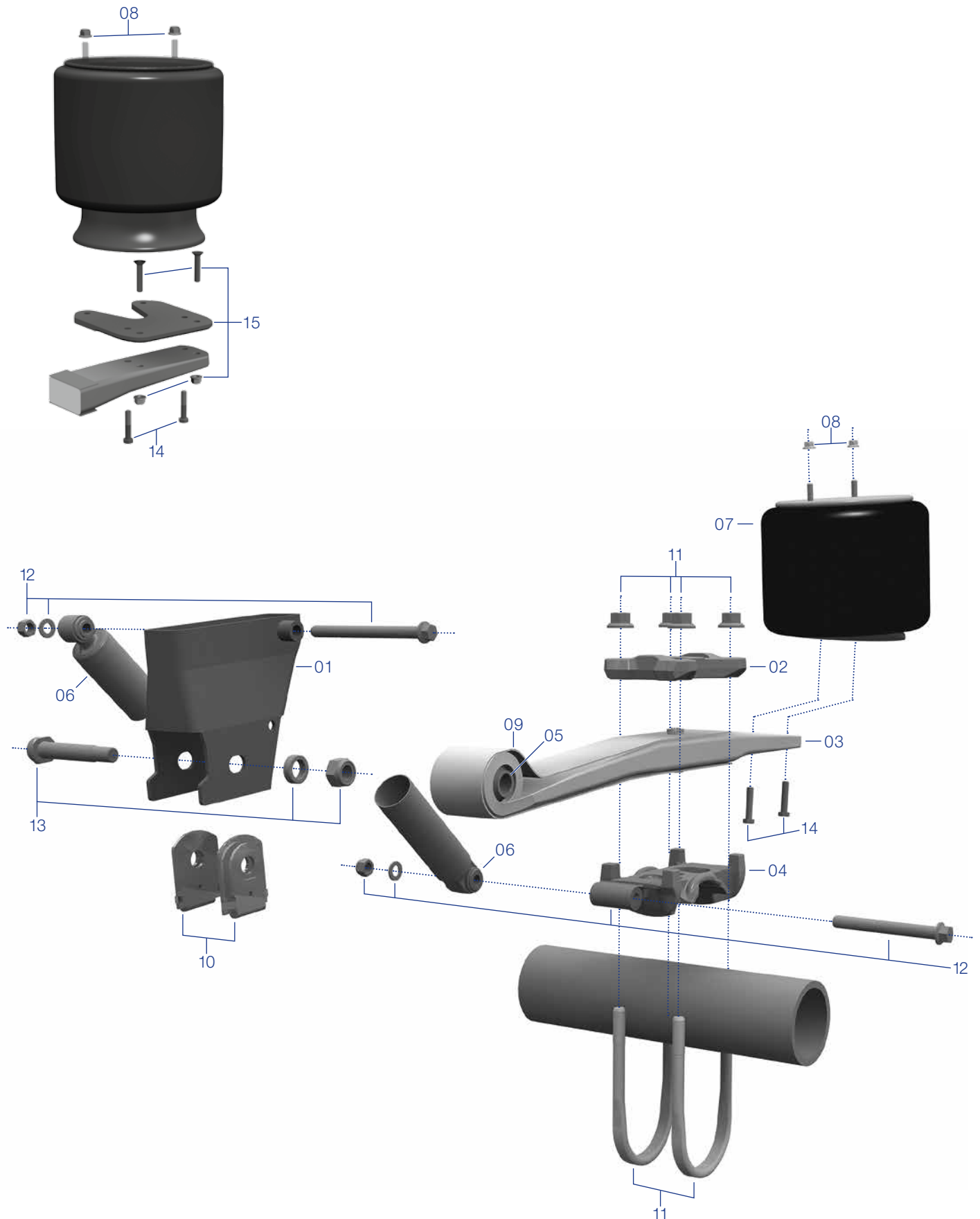
** Offset = 90 when used with offset plate

1) To identify your DLS chassis order code, use our product identifier.

You can find this on the website "www.jost-axle-systems.com" under the "Products"

Suspension connection

Spare parts for suspension order code: 701, ride high 390¹⁾



Suspension connection

Spare parts for suspension order code: 701, ride high 390 ¹⁾

Item	Description	Remark	Order No.	quantity per axle
01	Hanger bracket	H = 230	JAE 20 105 031 78	2
02	U-bolt plate	Linkarm, overslung	JAE 20 105 028 35	2
03	Linkarm	1 x 54, straight	JAE 20 105 003 06	2
04	Spring seat	welded / can not be ordered separately		
05	Pivot bush		JAE 20 105 000 17	2
06	Shock absorber		JAE 20 105 002 00	2
07	Air bellows	360 K (1D28a-13 and 1T19L-7)	JAE 20 105 019 01	2
08	Nut	M12	JAE 00 209 002 50	4
09	Check strap		JAE 20 205 000 32	2

Repair and retrofit kits

Item	Description	Remark	Order No.	quantity per axle
10	RK Tracking/wear plate for hanger bracket		JAE 20 505 100 90	2
11	RK U-bolt	M22	JAE 20 505 000 47	2
12	RK Shock absorber mounting		JAE 20 505 100 55	2
13	RK Pivot bolt set		JAE 20 505 101 55	2
14	RK Screw connection for air bellows	M12 x 50 – 10.9*, incl. item 08	JAE 20 505 103 55	2
	RK Screw connection for air bellows	M12 x 60 – 10.9**, incl. item 08	JAE 20 505 102 55	2
15	RK Offset plate	Offset = 90	JAE 20 505 126 35	2

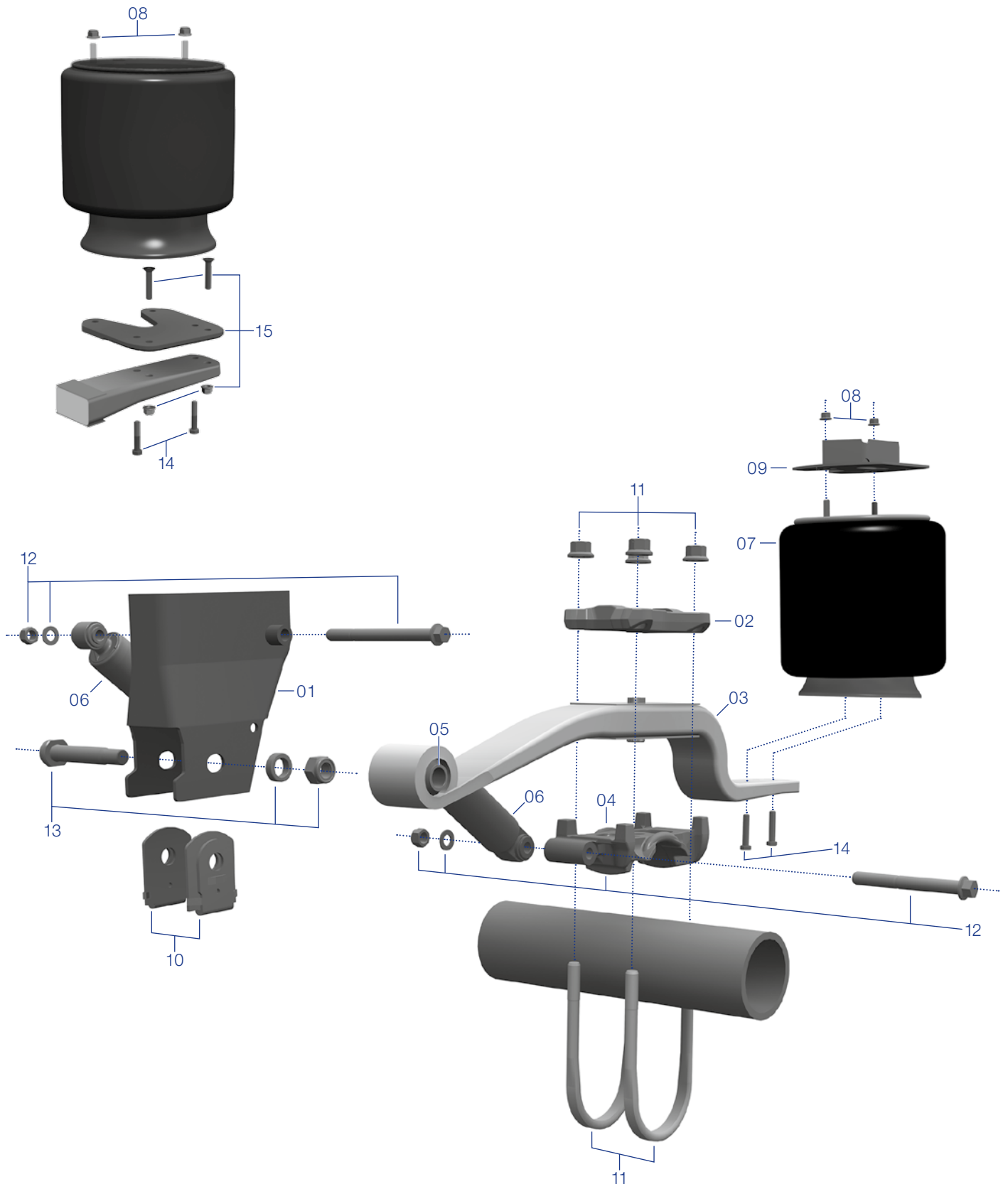
** At Offset = 50 in combination with air bellows with steel pistons (remove offset plate if present)

** Offset = 90 when used with offset plate

1) To identify your DLS chassis order code, use our product identifier.
You can find this on the website "www.jost-axle-systems.com" under the "Products"

Suspension connection

Spare parts for suspension order code: 702, ride high 355/400/405¹⁾



Suspension connection

Spare parts for suspension order code: 702, ride high 355/400/405¹⁾

Item	Description	Remark	Order No.	quantity per axle
01	Hanger bracket	H = 280 – for ride high 355 (ride high range 325-370)	JAE 20 105 033 78	2
	Hanger bracket	H = 335 – for ride high 400 (ride high range 390-420) and for ride high 405 (ride high range 375-420)	JAE 20 105 036 78	2
02	U-bolt plate	Linkarm, overslung	JAE 20 105 028 35	2
03	Linkarm	1 x 54, cropped	JAE 20 105 013 06	2
04	Spring seat	welded / can not be ordered separately		
05	Pivot bush		JAE 20 105 000 17	2
06	Shock absorber		JAE 20 105 003 00	2
07	Air bellows	360 L (1D28f and 1T19L-11,5)	JAE 20 105 015 01	2
08	Nut	M12	JAE 00 209 002 50	4
09	Air bellows pedestal	H = 50 – for ride high 405 (ride high range 375-420)	JAE 02 205 003 35	2
	Air bellows pedestal	H = 70 – for ride high 400 (ride high range 390-420)	JAE 02 205 004 35	2

Repair and retrofit kits

Item	Description	Remark	Order No.	quantity per axle
10	RK Tracking/wear plate for hanger bracket		JAE 20 505 100 90	2
11	RK U-bolt	M22	JAE 20 505 000 47	2
12	RK Shock absorber mounting		JAE 20 505 100 55	2
13	RK Pivot bolt set		JAE 20 505 101 55	2
14	RK Screw connection for air bellows	M12 x 50 – 10.9*, incl. item 08	JAE 20 505 103 55	2
	RK Screw connection for air bellows	M12 x 60 – 10.9**, incl. item 08	JAE 20 505 102 55	2
15	RK Offset plate	Offset = 90	JAE 20 505 126 35	2

** At Offset = 50 in combination with air bellows with steel pistons (remove offset plate if present)

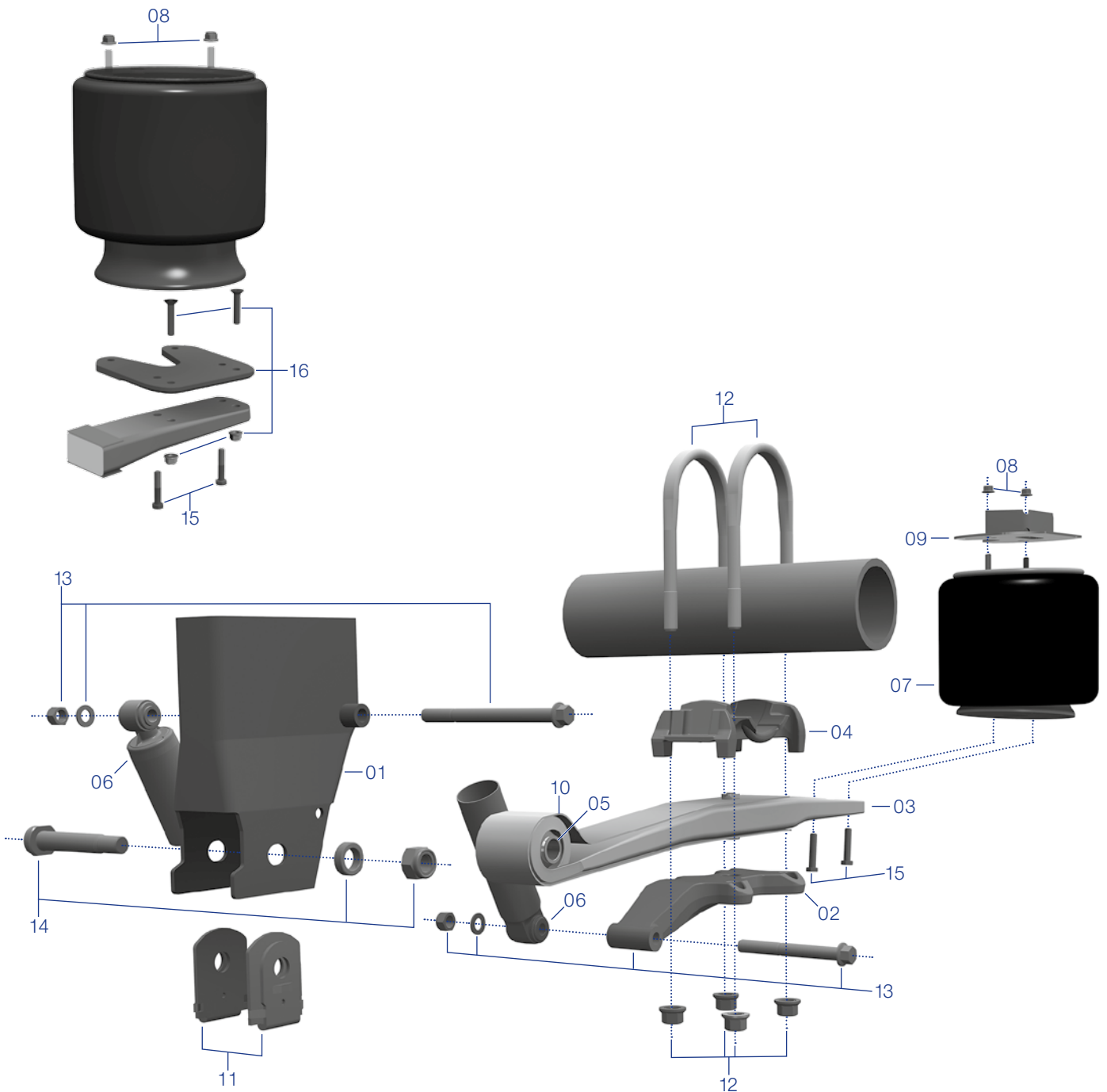
** Offset = 90 when used with offset plate

1) To identify your DLS chassis order code, use our product identifier.

You can find this on the website "www.jost-axle-systems.com" under the "Products"

Suspension connection

Spare parts for suspension order code: 710, ride high 215/290¹⁾



Suspension connection

Spare parts for suspension order code: 710, ride high 215/290¹⁾

Item	Description	Remark	Order No.	quantity per axle
01	Hanger bracket	H = 335	JAE 20 105 027 78	2
02	U-bolt plate	Linkarm, left underslung	JAE 20 105 031 35	2
	U-bolt plate	Linkarm, right underslung	JAE 20 105 032 35	2
03	Linkarm	1 x 54, straight	JAE 20 105 003 06	2
04	Spring seat	welded / can not be ordered separately		
05	Pivot bush		JAE 20 105 000 17	2
06	Shock absorber		JAE 20 105 003 00	2
07	Air bellows	360 L (1D28f and 1T19L-11,5)	JAE 20 105 015 01	2
08	Nut	M12	JAE 00 209 002 50	4
09	Air bellows pedestal	H = 50 – for ride high 290 (ride high range 260-310)	JAE 02 205 003 35	2
10	Check strap		JAE 20 205 000 32	2

Repair and retrofit kits

Item	Description	Remark	Order No.	quantity per axle
11	RK Tracking/wear plate for hanger bracket		JAE 20 505 100 90	2
12	RK U-bolt	M22	JAE 20 505 000 47	2
13	RK Shock absorber mounting		JAE 20 505 100 55	2
14	RK Pivot bolt set		JAE 20 505 101 55	2
15	RK Screw connection for air bellows	M12 x 50 – 10.9*, incl. item 08	JAE 20 505 103 55	2
	RK Screw connection for air bellows	M12 x 60 – 10.9**, incl. item 08	JAE 20 505 102 55	2
16	RK Offset plate	Offset = 90	JAE 20 505 126 35	2

** At Offset = 50 in combination with air bellows with steel pistons (remove offset plate if present)

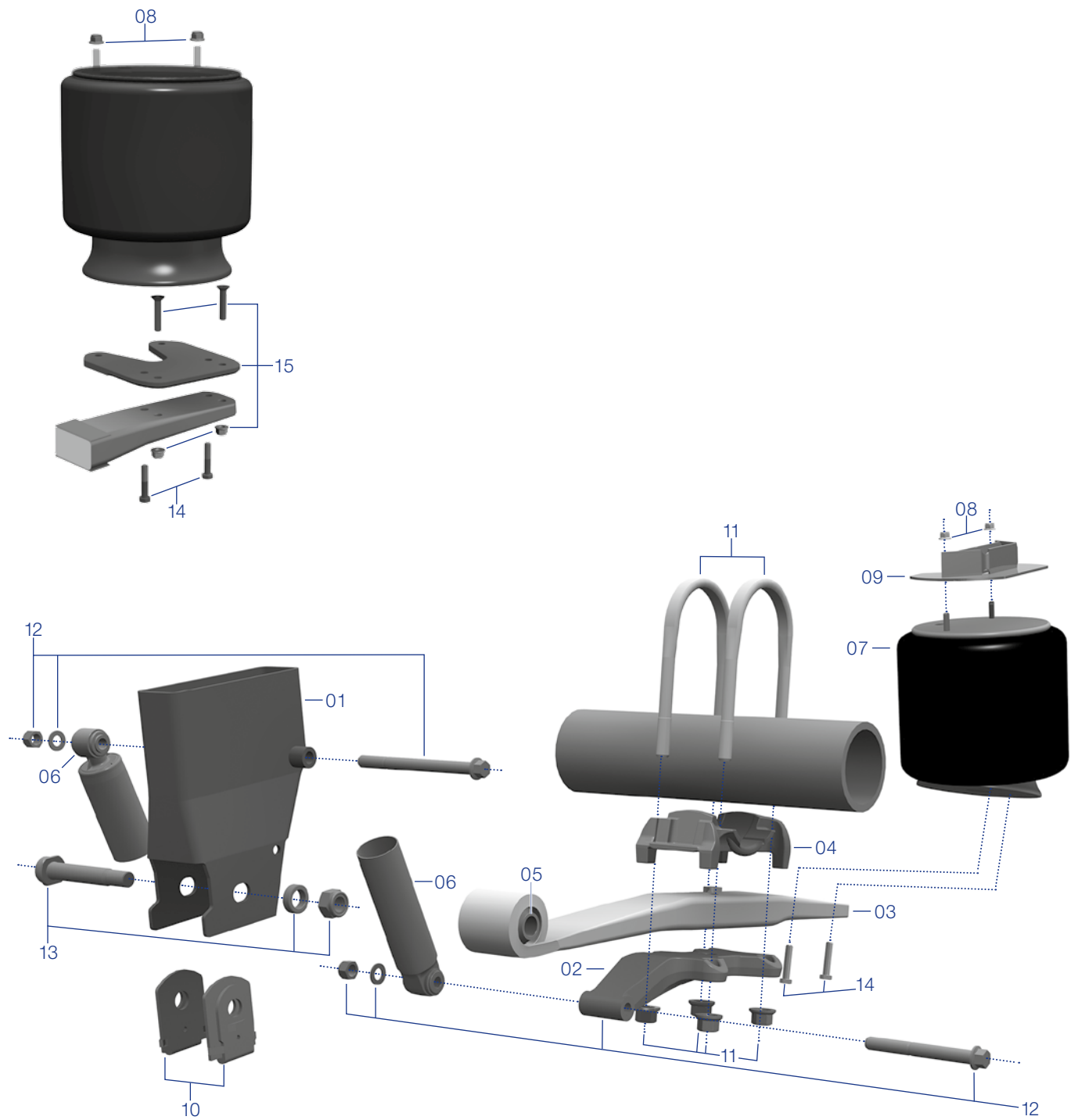
** Offset = 90 when used with offset plate

1) To identify your DLS chassis order code, use our product identifier.

You can find this on the website "www.jost-axle-systems.com" under the "Products"

Suspension connection

Spare parts for suspension order code: 711, ride high 330¹⁾



Suspension connection

Spare parts for suspension order code: 711, ride high 330¹⁾

Item	Description	Remark	Order No.	quantity per axle
01	Hanger bracket	H = 335	JAE 20 105 027 78	2
02	U-bolt plate	Linkarm, underslung, right	JAE 20 105 031 35	2
	U-bolt plate	Linkarm, underslung, left	JAE 20 105 032 35	2
03	Linkarm	1 x 54, straight	JAE 20 105 003 06	2
04	Spring seat	welded / can not be ordered separately		
05	Pivot bush		JAE 20 105 000 17	2
06	Shock absorber		JAE 20 105 003 00	2
07	Air bellows	360 K (1D28a-13 and 1T19L-7)	JAE 20 105 019 01	2
08	Nut	M12	JAE 00 209 002 50	4
09	Air bellows pedestal	H = 155	JAE 02 205 008 35	2

Repair and retrofit kits

Item	Description	Remark	Order No.	quantity per axle
10	RK Tracking/wear plate for hanger bracket		JAE 20 505 100 90	2
11	RK U-bolt	M22	JAE 20 505 000 47	2
12	RK Shock absorber mounting		JAE 20 505 100 55	2
13	RK Pivot bolt set		JAE 20 505 101 55	2
14	RK Screw connection for air bellows	M12 x 50 – 10.9*, incl. item 08	JAE 20 505 103 55	2
	RK Screw connection for air bellows	M12 x 60 – 10.9**, incl. item 08	JAE 20 505 102 55	2
15	RK Offset plate	Offset = 90	JAE 20 505 126 35	2

** At Offset = 50 in combination with air bellows with steel pistons (remove offset plate if present)

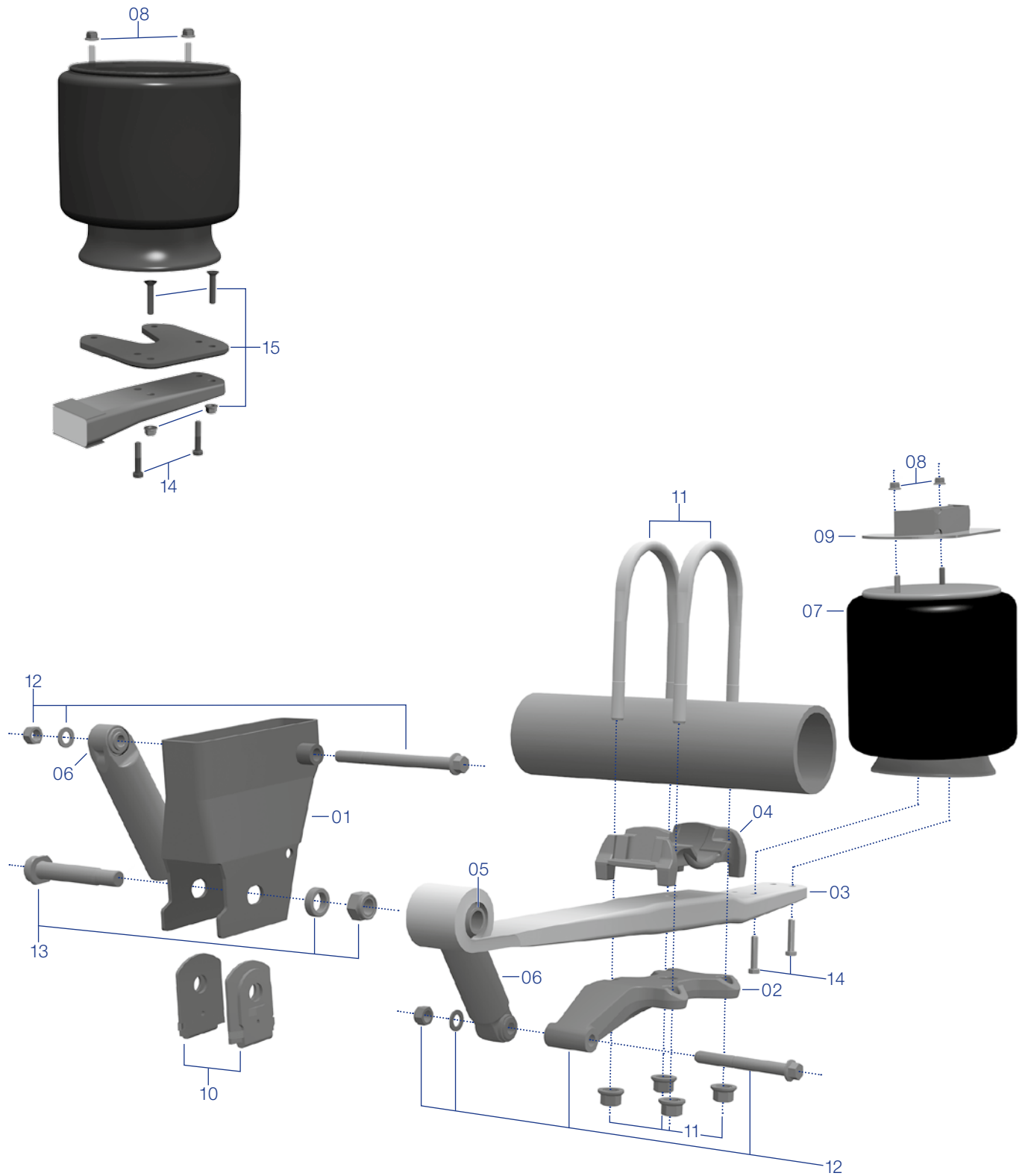
** Offset = 90 when used with offset plate

1) To identify your DLS chassis order code, use our product identifier.

You can find this on the website "www.jost-axle-systems.com" under the "Products"

Suspension connection

Spare parts for suspension order code: 715, ride high 250/300¹⁾



Suspension connection

Spare parts for suspension order code: 715, ride high 250/300¹⁾

Item	Description	Remark	Order No.	quantity per axle
01	Hanger bracket	H = 255 – for ride high 250 (ride height range 210-260)	JAE 20 105 064 78	2
	Hanger bracket	H = 280 – for ride high 300 (ride height range 245-300)	JAE 201 05 033 78	2
02	U-bolt plate	Linkarm, underslung, left	JAE 20 105 031 35	2
	U-bolt plate	Linkarm, underslung, right	JAE 20 105 032 35	2
03	Linkarm	1 x 54, straight	JAE 20 105 014 06	2
04	Spring seat	welded / can not be ordered separately		
05	Pivot bush		JAE 20 105 000 17	2
06	Shock absorber		JAE 20 105 008 00	2
07	Air bellows	360 L (1D28f and 1T19L-11,5)	JAE 20 105 015 01	2
08	Nut	M12	JAE 00 209 002 50	4
09	Air bellows pedestal	H = 50 – for ride high 300 (ride height range 245-300)	JAE 02 205 003 35	2

Repair and retrofit kits

Item	Description	Remark	Order No.	quantity per axle
10	RK Tracking/wear plate for hanger bracket		JAE 20 505 100 90	2
11	RK U-bolt	M22	JAE 20 505 000 47	2
12	RK Shock absorber mounting		JAE 20 505 100 55	2
13	RK Pivot bolt set		JAE 20 505 101 55	2
14	RK Screw connection for air bellows	M12 x 50 – 10.9*, incl. item 08	JAE 20 505 103 55	2
	RK Screw connection for air bellows	M12 x 60 – 10.9**, incl. item 08	JAE 20 505 102 55	2
15	RK Offset plate	Offset = 90	JAE 20 505 126 35	2

** At Offset = 50 in combination with air bellows with steel pistons (remove offset plate if present)

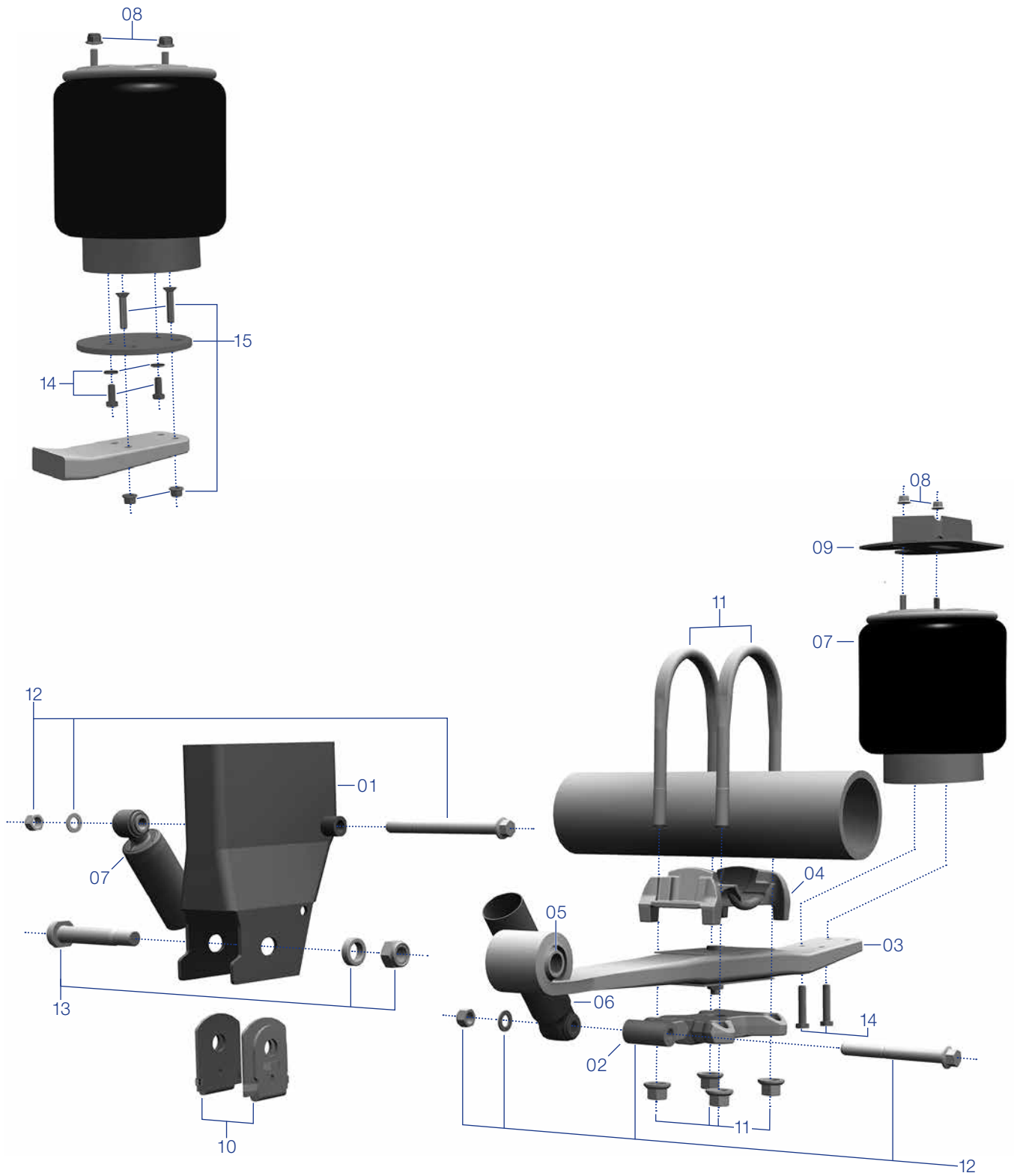
** Offset = 90 when used with offset plate

1) To identify your DLS chassis order code, use our product identifier.

You can find this on the website "www.jost-axle-systems.com" under the "Products"

Suspension connection

Spare parts for suspension order code: 720, ride high 280/330¹⁾



Suspension connection

Spare parts for suspension order code: 720, ride high 280/330¹⁾

Item	Description	Remark	Order No.	quantity per axle
01	Hanger bracket	H = 335	JAE 20 105 027 78	2
02	U-bolt plate	Linkarm, underslung, right	JAE 20 105 029 35	2
	U-bolt plate	Linkarm, underslung, left	JAE 20 105 030 35	2
03	Linkarm	1 x 48, straight	JAE 20 105 002 06	2
04	Spring seat	welded / can not be ordered separately		
05	Pivot bush		JAE 20 105 000 17	2
06	Shock absorber		JAE 20 105 003 00	2
07	Air bellows	300 S (... 1401*)	JAE 30 105 014 01	2
08	Nut	M12	JAE 00 209 002 50	4
09	Air bellows pedestal	H = 50 – for ride high 280 (ride high range 280-305)	JAE 02 205 003 35	2
	Air bellows pedestal	H = 100 – for ride high 330 (ride high range 305-355)	JAE 02 205 006 35	2

* letzten 4 Ziffern auf Bauteil

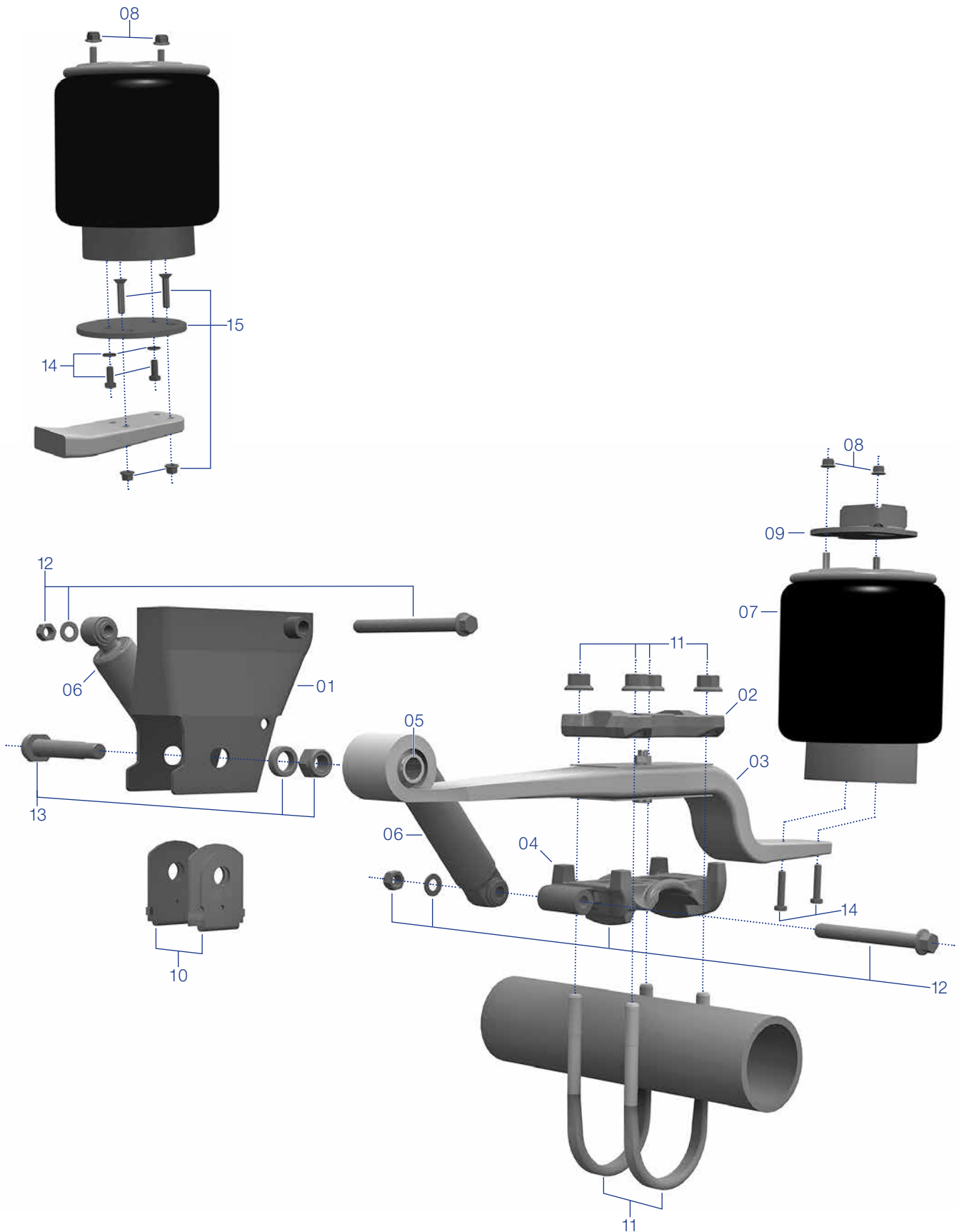
Repair and retrofit kits

Item	Description	Remark	Order No.	quantity per axle
10	RK Tracking/wear plate for hanger bracket		JAE 20 505 100 90	2
11	RK U-bolt	M22	JAE 20 505 000 47	2
12	RK Shock absorber mounting		JAE 20 505 100 55	2
13	RK Pivot bolt set		JAE 20 505 101 55	2
14	RK Screw connection for air bellows	M12 x 50 – 10.9, incl. item 08	JAE 20 505 103 55	2
	RK Screw connection for air bellows	M12 x 30 – 8.8, incl. item 08	JAE 20 505 104 55	2
15	RK Offset plate	Offset = 65	JAE 20 505 127 35	2

1) To identify your DLS chassis order code, use our product identifier.
You can find this on the website "www.jost-axle-systems.com" under the "Products"

Suspension connection

Spare parts for suspension order code: 730, ride high 375/425¹⁾



Suspension connection

Spare parts for suspension order code: 730, ride high 375/425¹⁾

Item	Description	Remark	Order No.	quantity per axle
01	Hanger bracket	H = 230 – for ride high 375 (ride high range 350-400)	JAE 20 105 031 78	2
	Hanger bracket	H = 280 – for ride high 425 (ride high range 400-450)	JAE 20 105 033 78	2
02	U-bolt plate	Linkarm, overslung, left and right	JAE 20 105 028 35	2
03	Linkarm	1 x 48, cropped	JAE 20 105 001 06	2
04	Spring seat	welded / can not be ordered separately		
05	Pivot bush		JAE 20 105 000 17	2
06	Shock absorber		JAE 20 105 003 00	2
07	Air bellows	300 S (... 1401*)	JAE 30 105 014 01	2
08	Nut	M12	JAE 00 209 002 50	4
09	Air bellows pedestal	H = 50 – for ride high 425 (ride high range 400-450)	JAE 02 205 003 35	2

* letzten 4 Ziffern auf Bauteil

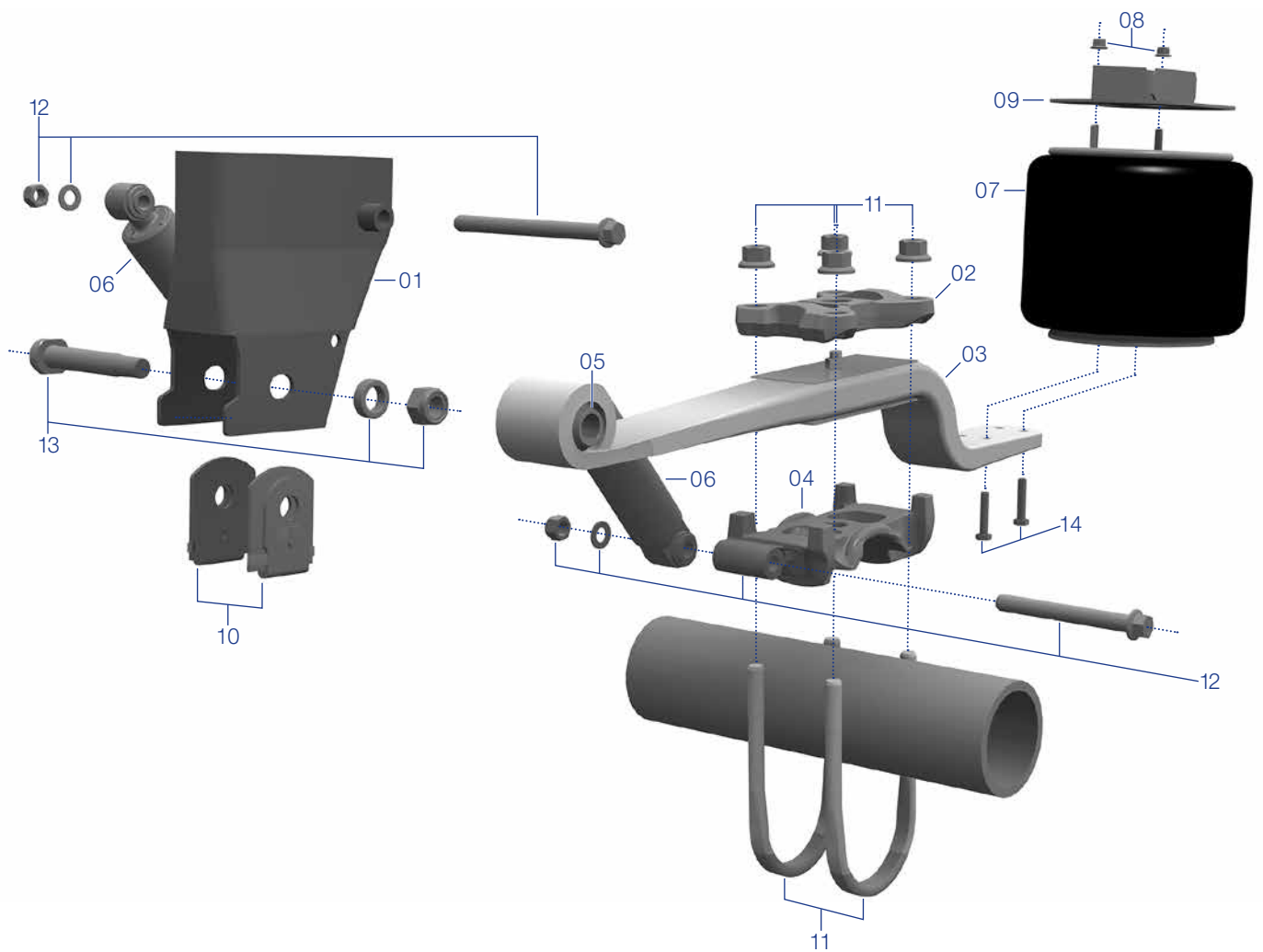
Repair and retrofit kits

Item	Description	Remark	Order No.	quantity per axle
10	RK Tracking/wear plate for hanger bracket		JAE 20 505 100 90	2
11	RK U-bolt	M22	JAE 20 505 000 47	2
12	RK Shock absorber mounting		JAE 20 505 100 55	2
13	RK Pivot bolt set		JAE 20 505 101 55	2
14	RK Screw connection for air bellows	M12 x 50 – 10.9, incl. item 08	JAE 20 505 103 55	2
	RK Screw connection for air bellows	M12 x 30 – 8.8, incl. item 08	JAE 20 505 104 55	2
15	RK Offset plate	Offset = 65	JAE 20 505 127 35	2

1) To identify your DLS chassis order code, use our product identifier.
You can find this on the website "www.jost-axle-systems.com" under the "Products"

Suspension connection

Spare parts for suspension order code: 731, ride high 335/360/385¹⁾



Suspension connection

Spare parts for suspension order code: 731, ride high 335/360/385 ¹⁾

Item	Description	Remark	Order No.	quantity per axle
01	Hanger bracket	H = 230 – for ride high 335 (ride high range 335-400) and for ride high 360 (ride high range 360-410)	JAE 20 105 031 78	2
	Hanger bracket	H = 280 for ride high 385 (ride high range 385-450)	JAE 20 105 033 78	2
02	U-bolt plate	Linkarm, overslung	JAE 20 105 028 35	2
03	Linkarm	1 x 48, cropped	JAE 20 105 001 06	2
04	Spring seat	welded / can not be ordered separately		
05	Pivot bush		JAE 20 105 000 17	2
06	Shock absorber		JAE 20 105 003 00	2
07	Air bellows	360 K (1D28a-13 and 1T19L-7)	JAE 20 105 019 01	2
08	Nut	M12	JAE 00 209 002 50	4
09	Air bellows pedestal	H = 50 – for ride high 385 (ride high range 385-450) and ride high 360 (ride high range 360-410)	JAE 02 205 003 35	2

Repair and retrofit kits

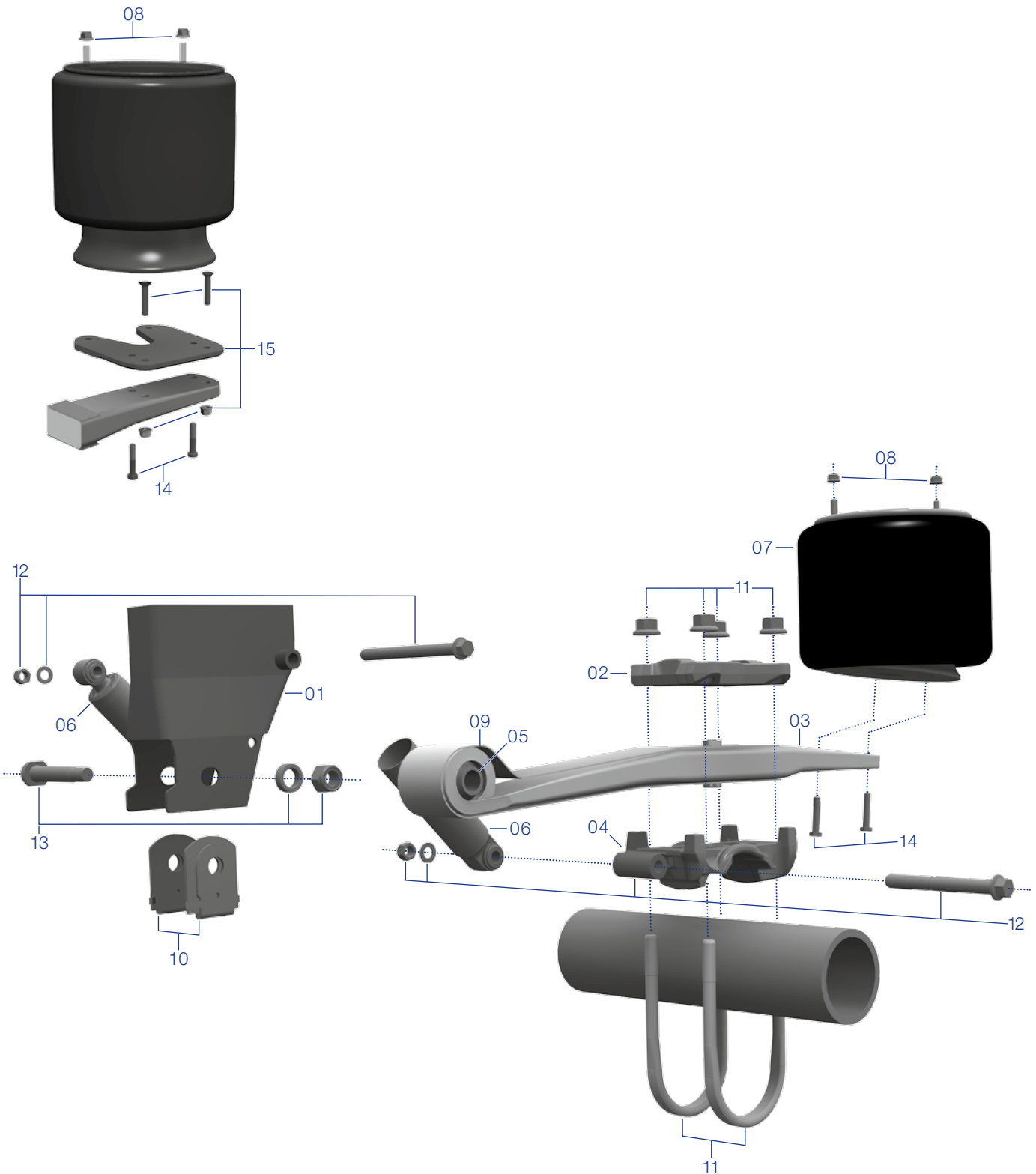
Item	Description	Remark	Order No.	quantity per axle
10	RK Tracking/wear plate for hanger bracket		JAE 20 505 100 90	2
11	RK U-bolt	M22	JAE 20 505 000 47	2
12	RK Shock absorber mounting		JAE 20 505 100 55	2
13	RK Pivot bolt set		JAE 20 505 101 55	2
14	RK Screw connection for air bellows	M12 x 50 – 10.9*, incl. item 08	JAE 20 505 103 55	2

** At Offset = 50 in combination with air bellows with steel pistons (remove offset plate if present)

1) To identify your DLS chassis order code, use our product identifier.
You can find this on the website "www.jost-axle-systems.com" under the "Products"

Suspension connection

Spare parts for suspension order code: 780, ride high 410 ¹⁾



Suspension connection

Spare parts for suspension order code: 780, ride high 410 ¹⁾

Item	Description	Remark	Order No.	quantity per axle
01	Hanger bracket	H = 285	JAE 20 105 025 78	2
02	U-bolt plate	Linkarm, overslung	JAE 20 105 028 35	2
03	Linkarm	1 x 54, straight	JAE 20 105 003 06	2
04	Spring seat	welded / can not be ordered separately		
05	Pivot bush		JAE 20 105 000 17	2
06	Shock absorber		JAE 20 105 003 00	2
07	Air bellows	360 K (1D28a-13 and 1T19L-7)	JAE 30 105 019 01	2
08	Nut	M12	JAE 00 209 002 50	4
09	Check strap		JAE 20 205 000 32	2

Repair and retrofit kits

Item	Description	Remark	Order No.	quantity per axle
10	RK Tracking/wear plate for hanger bracket		JAE 20 505 100 90	2
11	RK U-bolt	M22	JAE 20 505 000 47	2
12	RK Shock absorber mounting		JAE 20 505 100 55	2
13	RK Pivot bolt set		JAE 20 505 101 55	2
14	RK Screw connection for air bellows	M12 x 50 – 10.9*, incl. item 08	JAE 20 505 103 55	2
	RK Screw connection for air bellows	M12 x 60 – 10.9**, incl. item 08	JAE 20 505 102 55	2
15	RK Offset plate	Offset = 90	JAE 20 505 126 35	2

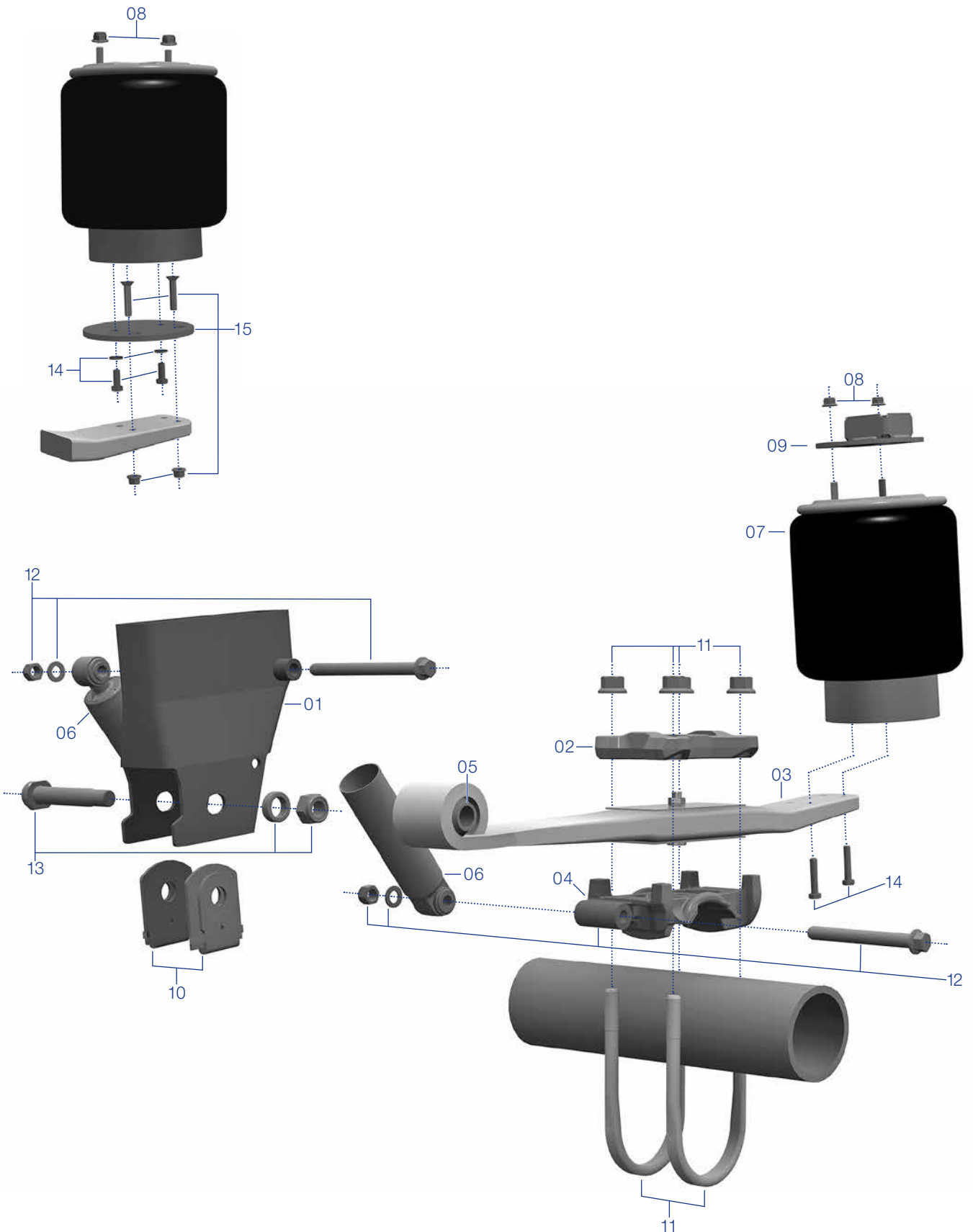
** At Offset = 50 in combination with air bellows with steel pistons (remove offset plate if present)

** Offset = 90 when used with offset plate

1) To identify your DLS chassis order code, use our product identifier.
You can find this on the website "www.jost-axle-systems.com" under the "Products"

Suspension connection

Spare parts for suspension order code: 795, ride high 485/535¹⁾



Suspension connection

Spare parts for suspension order code: 795, ride high 485/535¹⁾

Item	Description	Remark	Order No.	quantity per axle
01	Hanger bracket	H = 285 – for ride high 485 (ride high range 450-520)	JAE 20 105 025 78	2
	Hanger bracket	H = 335 – for ride high 535 (ride high range 500-570)	JAE 20 105 027 78	2
02	U-bolt plate	Linkarm, overslung	JAE 20 105 028 35	2
03	Linkarm	1 x 48, straight	JAE 20 105 002 06	2
04	Spring seat	welded / can not be ordered separately		
05	Pivot bush		JAE 20 105 000 17	2
06	Shock absorber		JAE 20 105 003 00	2
07	Air bellows	300 S (... 1401*)	JAE 30 105 014 01	2
08	Nut	M12	JAE 00 209 002 50	4
09	Air bellows pedestal	H = 50 – for ride high 535 (ride high range 500-570)	JAE 02 205 003 35	

* letzten 4 Ziffern auf Bauteil

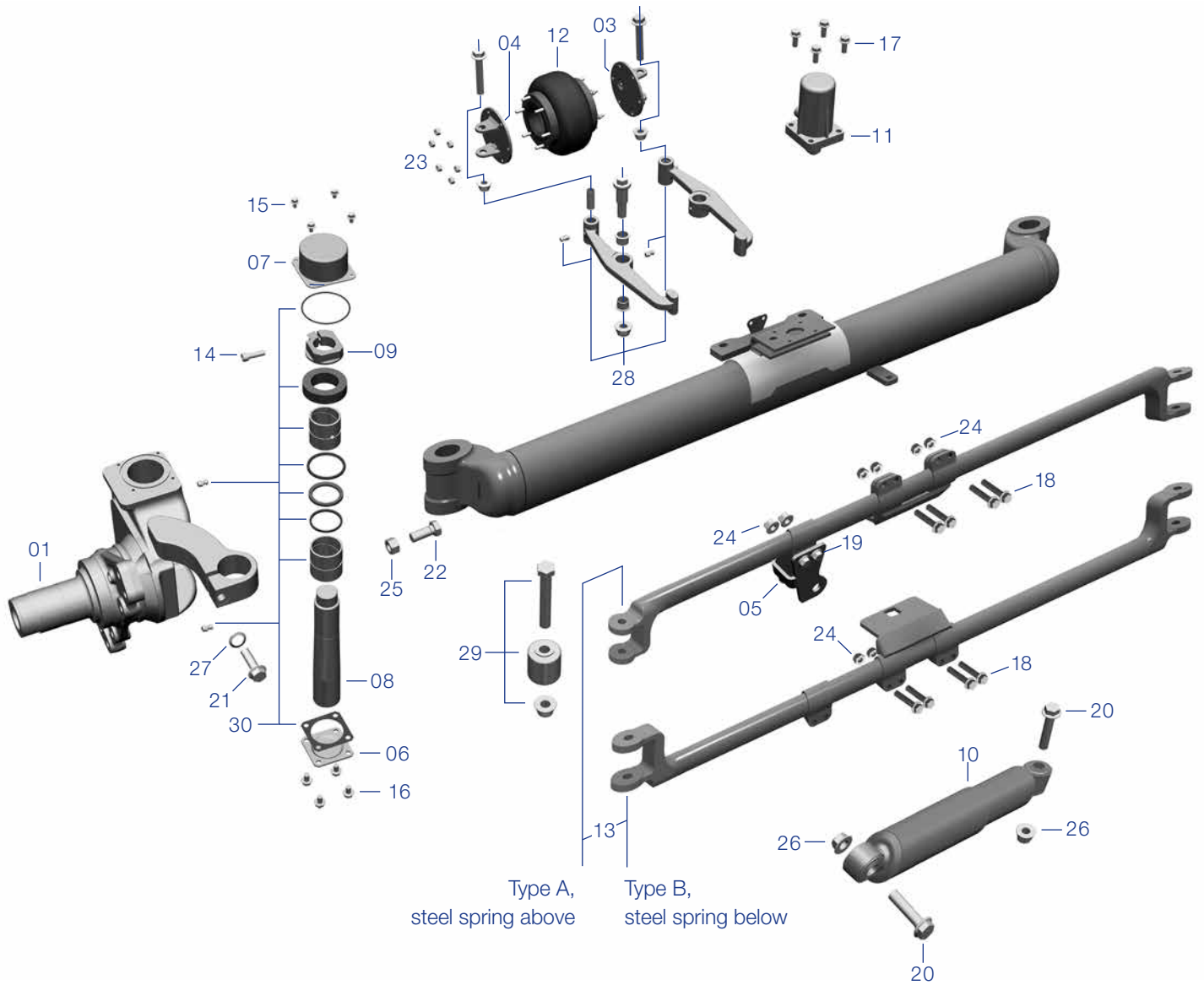
Repair and retrofit kits

Item	Description	Remark	Order No.	quantity per axle
10	RK Tracking/wear plate for hanger bracket		JAE 20 505 100 90	2
11	RK U-bolt	M22	JAE 20 505 000 47	2
12	RK Shock absorber mounting		JAE 20 505 100 55	2
13	RK Pivot bolt set		JAE 20 505 101 55	2
14	RK Screw connection for air bellows	M12 x 50 – 10.9, incl. item 08	JAE 20 505 103 55	2
	RK Screw connection for air bellows	M12 x 30 – 8.8, incl. item 08	JAE 20 505 104 55	2
15	RK Offset plate	Offset = 65	JAE 20 505 127 35	2

1) To identify your DLS chassis order code, use our product identifier.
You can find this on the website “www.jost-axle-systems.com” under the “Products”

DLS Steering Axle

Spare parts for TL4/1 and TL5/,1 version as of 05/2005, track rod rear upper



DLS Steering Axle

Spare parts for TL4/1 and TL5/,1 version as of 05/2005, track rod rear upper

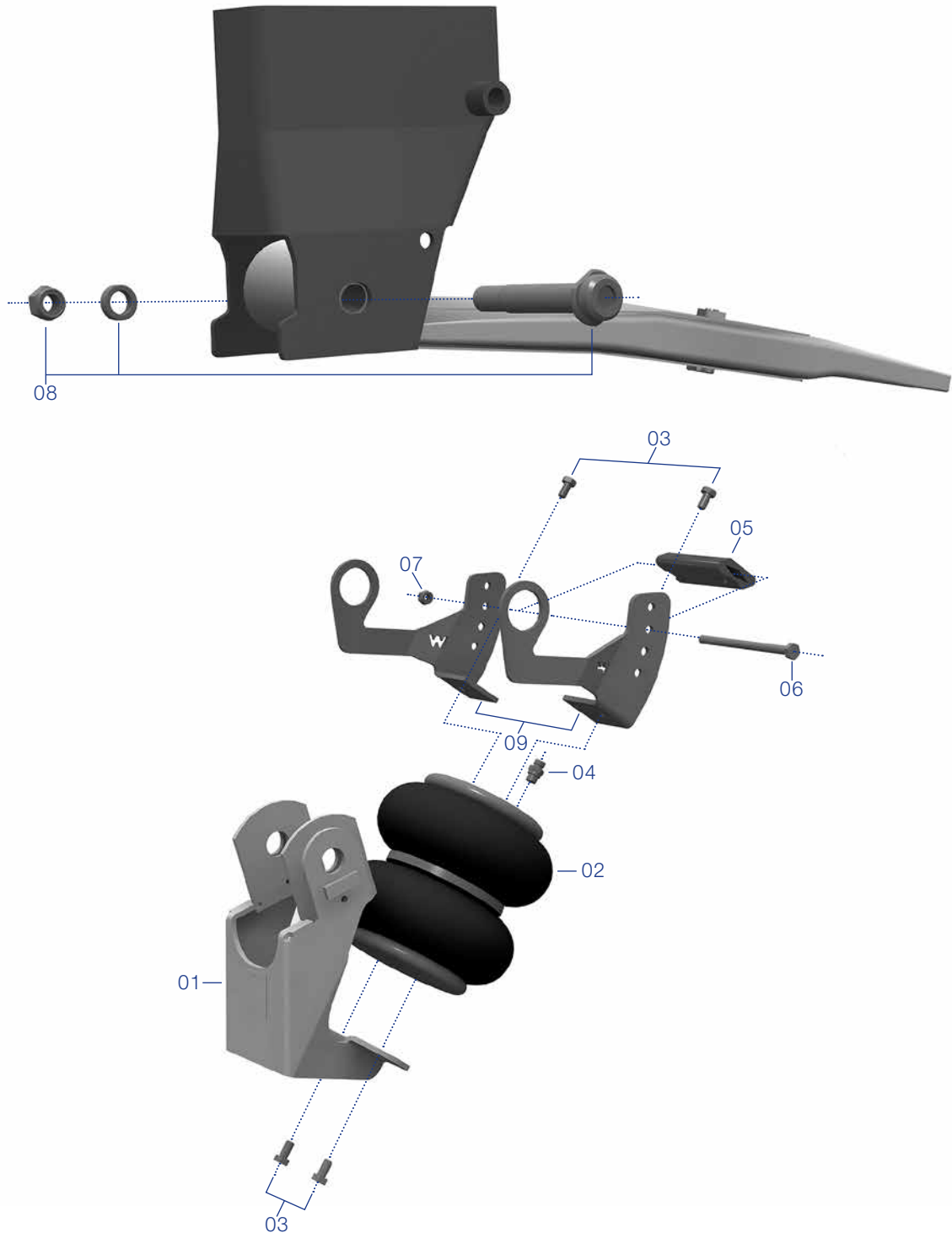
Item	Description	Remark	Order No.	quantity per axle
01	Steering knuckle	left	JAE 02 106 010 44	1
02	Steering knuckle	right, not shown	JAE 02 106 011 44	1
03	Plate	with pneumatics connection - compensating bellows - steering axle	JAE 02 106 000 41	1
04	Plate	compensating bellows - steering axle	JAE 02 106 001 41	1
05	Bracket	welded / can not be ordered separately		
06	Bottom cover kingpin		JAE 02 106 001 20	2
07	Top cover kingpin		JAE 02 106 002 20	2
08	Kingpin		JAE 02 106 000 74	2
09	Clamping nut		JAE 02 106 000 72	2
10	Steering shock absorber		JAE 02 106 000 47	1
11	Locking cylinder		JAE 02 106 000 22	1
12	Compensating bellows for tracking		JAE 02 106 000 77	1
13	Track rod	Type A, wheel track 2040	JAE 22 106 008 07	1
	Track rod	Type A, wheel track 2095	JAE 22 106 009 07	1
	Track rod	Type A, wheel track 2140	JAE 22 106 010 07	1
	Track rod	Type B, wheel track 2040	JAE 22 106 013 07	1
	Track rod	Type B, wheel track 2095	JAE 22 106 014 07	1
	Track rod	Type B, wheel track 2140	JAE 22 106 015 07	1
14	Bolt	M10 x 35 - 10.9	JAE 00 208 102 10	2
15	Bolt	M8 x 16 - 10.9	JAE 00 208 100 08	8
16	Bolt	M10 x 16 - 10.9	JAE 00 208 110 10	8
17	Bolt	M10 x 25 - 10.9	JAE 00 208 109 10	4
18	Bolt	M12 x 1.5 x 65 - 10.9	JAE 00 208 106 12	4
19	Bolt	M12 x 1.5 x 85 - 10.9	JAE 00 208 101 12	2
20	Bolt	M20 x 1.5 x 100 - 10.9	JAE 00 208 101 20	2
21	Bolt	M16 x 1.5 x 60 - 10.9	JAE 00 208 102 16	2
22	Bolt	M20 x 70 - 10.9	JAE 00 208 108 20	2
23	Nut	M8	JAE 00 209 100 08	12
24	Nut	M12 x 1.5	JAE 00 209 100 12	6
25	Nut	M20	JAE 00 209 101 20	2
26	Nut	M20 x 1.5	JAE 00 209 100 20	2
27	Toothed washer		JAE 02 206 000 76	2

Repair and retrofit kits

Item	Description	Remark	Order No.	quantity per axle
28	RK Centering Levers		JAE 22 506 001 27	1
29	RK Track rod adjustment		JAE 02 506 018 03	2
30	RK Steering knuckle bearing		JAE 02 506 006 20	2
31	RK Grease nipples with protective caps	x 8, not shown	JAE 02 511 100 88	1

Twin lift “bolt on” version

Spare parts for series: ... 1170



Twin lift “bolt on” version

Spare parts for series: ... 1170

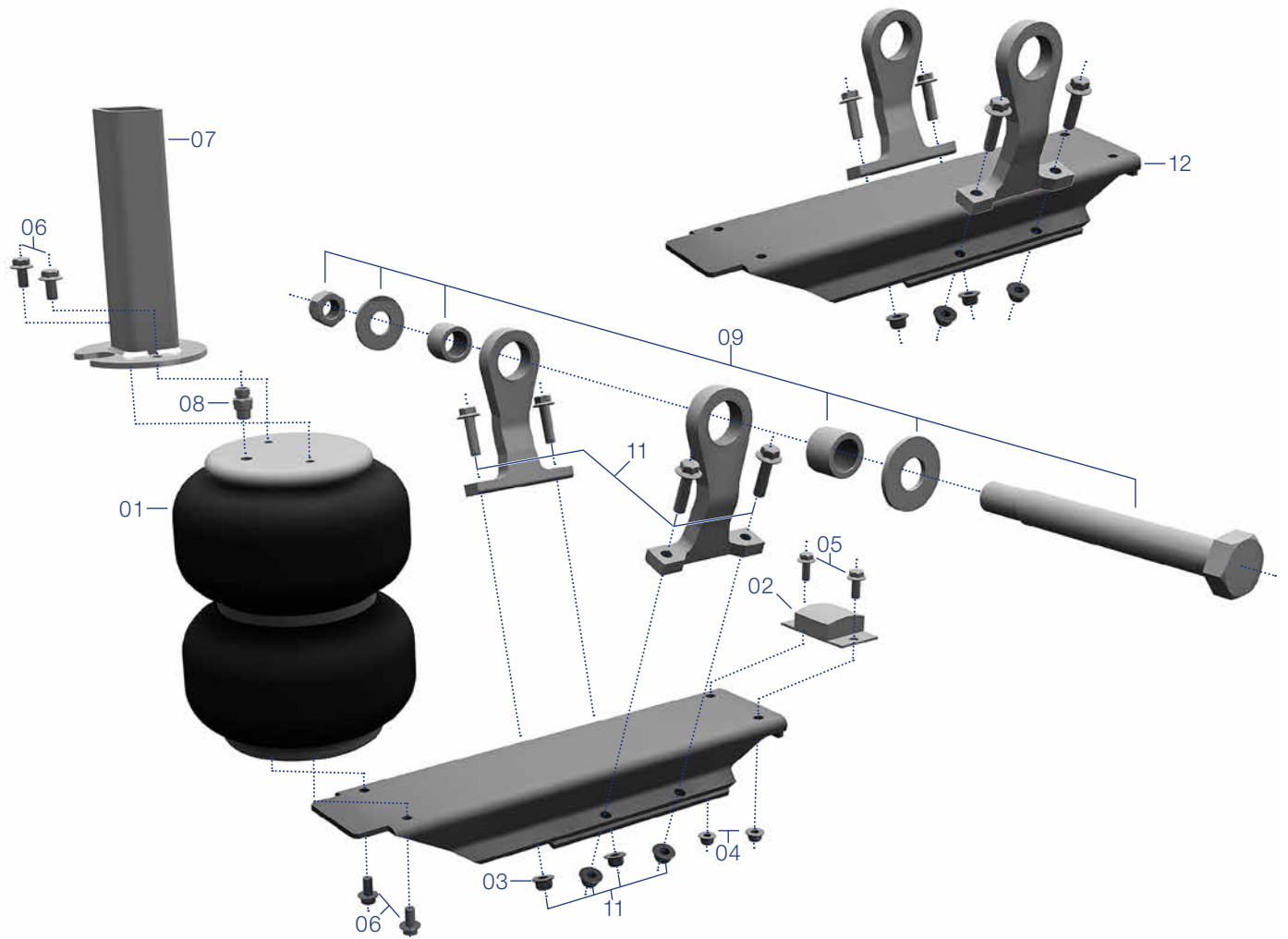
Item	Description	Remark	Order No.	quantity per axle
01	Lift bellow support		JAE 20 107 020 40	2
02	Air bellow - twin lift		JAE 20 107 016 01	2
03	Bolt	M10 x 20 - 8.8 (x4)	JAE 30 208 008 01 04	2
04	Air connection		JAE 30 107 002 64	2
05	Rubber stop		JAE 30 207 000 44	2
06	Bolt	M10 x 160 - 8.8	JAE 00 208 002 01	2
07	Nut	M10 (x2)	JAE 00 209 100 10 02	2

Repair and retrofit kits

Item	Description	Remark	Order No.	quantity per axle
08	RK Pivot bolt set		JAE 20 505 101 55	2
09	RK Lift bellows guide bracket pair		JAE 20 507 100 40	2
10	RK Rubber stop	incl. item 05, 06, 07	JAE 20 507 100 44	2

Twin lift “rocker” version

Spare parts for series: ... 1070



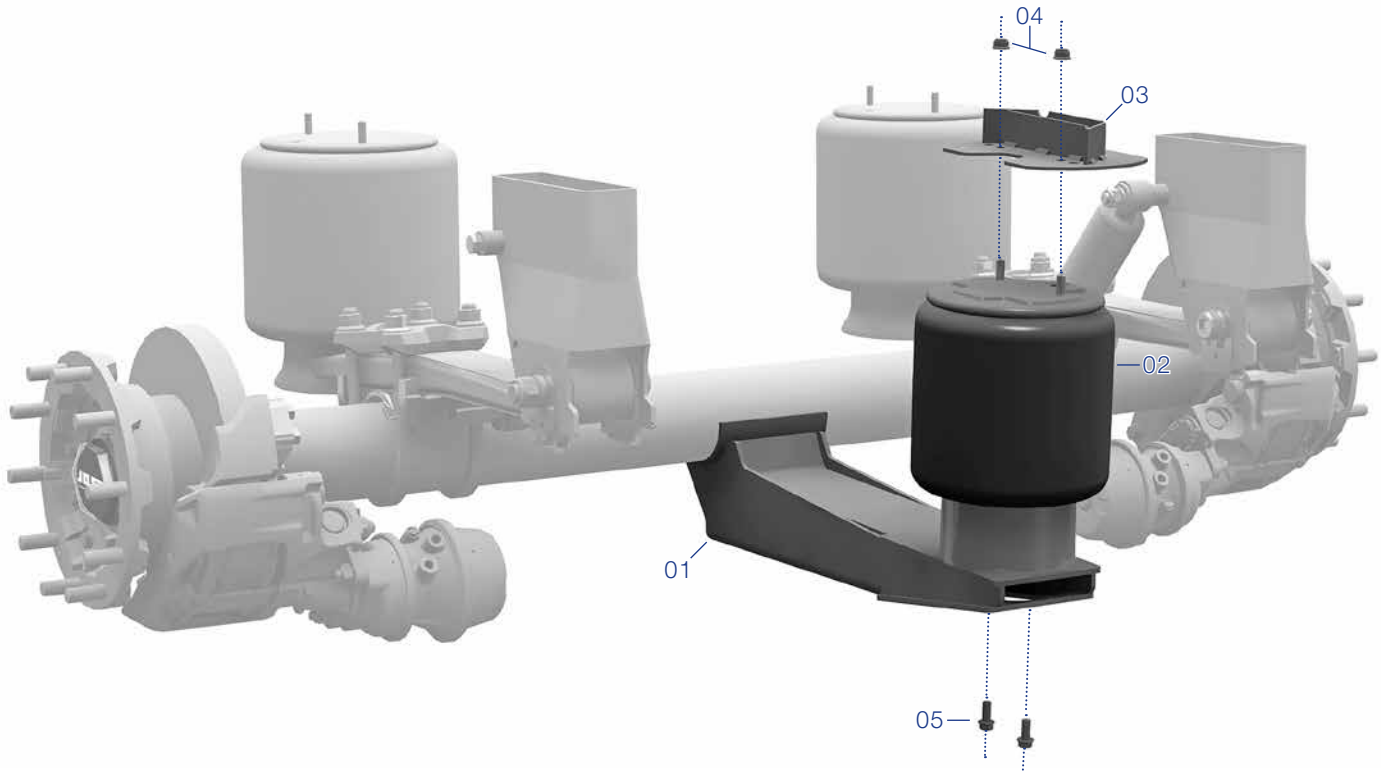
Item	Description	Remark	Order No.	quantity per axle
01	Lift bellows - twin lift “rocker”		JAE 20 107 021 01	2
02	Rubber stop		JAE 30 207 001 44	2
03	Nut	M12 x 1.5	JAE 00 209 100 12	8
04	Nut	M10 (x2)	JAE 00 209 102 10 02	2
05	Bolt	M10 x 25 - 10.9	JAE 00 208 109 10	4
06	Bolt	M10 x 20 - 10.9 (x2)	JAE 00 208 107 10 02	4
07	Air bellows pedestal	H = 265, shorten if required	JAE 20 107 069 35	2
08	Air connection		JAE 30 107 002 64	2

Repair and retrofit kits

Item	Description	Remark	Order No.	quantity per axle
09	RK Screw connections hanger bracket lift		JAE 20 507 102 55	2
10	RK Rubber stop	incl. item 02, 04, 05	JAE 20 507 101 44	2
11	RK Screw connections bracket lift		JAE 20 507 104 55	2
12	RK Axle lift arm	incl. item 10	JAE 20 507 015 06	2

Center lift

Spare parts for series: ... 2470



Item	Description	Remark	Order No.	quantity per axle
01	Arm – center lift		JAE 20 307 008 06	1
02	Air bellows	300S	JAE 30 105 014 01	1
03	Air bellows pedestal	H = 200	JAE 02 205 018 35	1
04	Nut	M12	JAE 00 209 002 50	2
05	Bolt	M12 x 30 -10.9	JAE 00 208 100 12	2

Spare parts reference list Mercedes-Benz to JOST

Valid for all DCA axles and DLS axles after August 2005

Daimler spare part numbers	JOST spare part numbers	JOST spare part designation	Additional information
A 000 325 ...			
A 000 325 00 47	JAE 20 505 000 47	RK U-bolt M22	
A 000 330 06 20	JAE 02 506 006 20	RK Steering knuckle bearing	
A 000 330 18 03	JAE 02 106 018 03	RK Track rod adjustment	
A 000 350 ...			
A 000 350 05 35	JAE 02 503 028 01	RK 120 mm offset hub assembly (with compact bearing)	
	JAE 00 208 100 14 10	Bolt M14 x 1.5 x 45 - 10.9	10-pack, additional order required
A 000 350 09 35	JAE 02 503 009 35	RK 0 mm offset hub assembly (with compact bearing)	
A 000 350 23 35	JAE 02 503 028 01	RK 120 mm offset hub assembly (with compact bearing)	
	JAE 00 208 100 14 10	Bolt M14 x 1.5 x 45 - 10.9	10-pack, additional order required
A 000 390 ...			
A 000 390 00 27	JAE 22 506 000 27	RK Centering Levers	
A 000 390 00 70	JAE 30 507 100 70	RK Complete lift, one side only DCA	2x required per axle
A 000 390 01 27	JAE 22 506 001 27	RK Centering Levers	
A 000 390 02 08	JAE 30 502 102 08*	Axle housing ET120 RS2010 FS1200	
A 000 390 03 08	JAE 30 502 103 08*	Axle housing ET120 RS2040 FS1150	
A 000 390 04 08	JAE 30 502 104 08*	Axle housing ET120 RS2040 FS1200	
A 000 390 05 08	JAE 30 502 105 08*	Axle housing ET120 RS2040 FS1250	
A 000 390 06 08	JAE 30 502 106 08*	Axle housing ET120 RS2040 FS1300	
A 000 390 07 08	JAE 30 502 107 08*	Axle housing ET120 RS2090 FS1200	
A 000 390 08 08	JAE 30 502 108 08*	Axle housing ET120 RS2090 FS1250	
A 000 390 09 08	JAE 30 502 109 08*	Axle housing ET120 RS2090 FS1300	
A 000 390 10 08	JAE 30 502 110 08*	Axle housing ET120 RS2090 FS1350	
A 000 390 11 08	JAE 30 502 111 08*	Axle housing ET120 RS2140 FS1250	
A 000 390 12 08	JAE 30 502 112 08*	Axle housing ET120 RS2140 FS1300	
A 000 390 13 08	JAE 30 502 113 08*	Axle housing ET120 RS2140 FS1350	
A 000 390 14 08	JAE 30 502 114 08*	Axle housing ET120 RS2140 FS1400	
A 000 390 15 08	JAE 30 502 115 08*	Axle housing ET120 RS1990 FS1300	
A 000 390 16 08	JAE 30 502 116 08*	Axle housing ET0 RS2040 FS1150	RK Screw connections is additionally required, please take note!*
A 000 390 17 08	JAE 30 502 117 08*	Axle housing ET0 RS2040 FS1200	
A 000 390 18 08	JAE 30 502 118 08*	Axle housing ET0 RS2090 FS1200	
A 000 390 19 08	JAE 30 502 119 08*	Axle housing ET0 RS2090 FS1250	
A 000 390 20 08	JAE 30 502 120 08*	Axle housing ET0 RS2140 FS1250	
A 000 390 21 08	JAE 30 502 121 08*	Axle housing ET0 RS2140 FS1300	
A 000 390 22 08	JAE 30 502 122 08*	Axle housing ET120 RS1940 FS1200	
A 000 390 23 08	JAE 30 502 123 08*	Axle housing ET120 RS1990 FS1200	
A 000 390 24 08	JAE 30 502 124 08*	Axle housing ET120 RS1990 FS1250	
A 000 390 25 08	JAE 33 502 125 08*	Axle housing ET120-AIR RS2040 FS1300	
A 000 390 26 08	JAE 33 502 126 08*	Axle housing ET120-AIR RS2090 FS1300	
A 000 390 27 08	JAE 33 502 127 08*	Axle housing ET120-AIR RS2140 FS1300	
A 000 390 28 08	JAE 33 502 128 08*	Axle housing ET120-AIR RS2140 FS1350	
A 000 390 29 08	JAE 33 502 129 08*	Axle housing ET120-AIR RS2140 FS1400	
A 000 390 31 08	JAE 34 502 131 08*	Axle housing ET120-RFS RS2090 FS1200	
* = additionally for all axle housing	JAE 00 508 100 14 or** JAE 00 508 101 14 JAE 30 505 101 55	RK Screw connections, air bellows support type A B C E or** RK Screw connections, air bellows support type D RK Pivot bolt set	** = depends on air bellows support fitted
A 000 401 ...			
A 000 401 06 72	JAE 00 209 006 72	Wheel nut M22 x 1.5	
A 000 401 06 72	JAE 00 209 006 72 10	Wheel nut M22 x 1.5	10-pack
A 000 401 06 72	JAE 30 505 101 55	RK Pivot bolt set	Part of RK Pivot bolt set
A 000 401 06 72	JAE 30 505 100 50	RK Pivot bolt set	Part of RK Pivot bolt set

Spare parts reference list Mercedes-Benz to JOST

Valid for all DCA axles and DLS axles after August 2005

Daimler spare part numbers	JOST spare part numbers	JOST spare part designation	Additional information
A 000 401 09 72	JAE 00 209 023 72	Wheel nut M22x1.5	
A 000 401 09 72	JAE 00 209 023 72 10	Wheel nut M22x1.5	10-pack
A 000 401 23 71	JAE 01 208 023 71	Wheel bolt M22x1.5x68	
A 000 401 23 71	JAE 01 208 023 71 10	Wheel bolt M22x1.5x68	10-pack
A 000 401 23 72	JAE 00 209 023 72	Wheel nut M22x1.5	
A 000 401 23 72	JAE 00 209 023 72 10	Wheel nut M22x1.5	10-pack
A 000 401 24 71	JAE 01 208 024 71	Wheel bolt M22x1.5x80	
A 000 401 24 71	JAE 01 208 024 71 10	Wheel bolt M22x1.5x80	10-pack
A 000 401 37 71	JAE 01 208 037 71	Wheel bolt M22x1.5x110	
A 000 401 37 71	JAE 01 208 037 71 10	Wheel bolt M22x1.5x110	10-pack
A 000 420 ...			
A 000 420 05 66	JAE 02 204 005 66	Elbow joint	
A 000 420 23 82	JAE 01 504 023 82	RK Thrust pad SB6/SB7	
A 000 420 24 82			Contained in each RK Brake pad
A 000 420 25 82			Contained in each RK Brake pad
A 000 420 49 82	JAE 01 504 049 82	RK Thrust pad SN6/SN7/SK7	
A 000 420 56 82	JAE 01 504 056 82	RK Seal and guide - SN7/SK7	
A 000 421 ...			
A 000 421 20 06	JAE 01 104 020 06	Brake carrier - SB/SN 6	
A 000 421 25 06	JAE 02 104 025 06	Brake carrier - SN7	
A 000 421 39 06	JAE 02 104 039 06	Brake carrier - SK7	
A 000 421 61 74	JAE 01 504 061 74	RK Seal and guide - SB6/SN6/SB7	
A 000 423 06 06	JAE 01 104 006 06	Brake carrier - TZ5/NR5	
A 000 989 ...			
A 000 989 80 51	JAE 00 403 080 51	High temp. assembly paste, white 100 g	
A 000 989 80 51	JAE 00 403 080 51 12	High temp. assembly paste, white 100 g (x12)	12-pack
A 000 992 ...			
A 000 992 21 29	JAE 02 504 100 55	RK ABS sensor	Part of RK ABS sensor
A 001 990 ...			
A 001 990 19 17	JAE 33 202 019 17	Threaded plug DCA AIRMASTER	
A 002 420 ...			
A 002 420 26 01	JAE 02 504 026 01	Caliper SN6 - left	
A 002 420 27 01	JAE 02 504 027 01	Caliper SN6 - right	
A 002 420 78 20	JAE 02 504 078 20	RK Brake pad SN6	
A 002 542 ...			
A 002 542 31 18	JAE 02 504 100 55	RK ABS sensor	Part of RK ABS sensor
A 003 420 ...			
A 003 420 91 83	JAE 02 504 091 83	RK Caliper SK7 - left	
A 003 420 92 83	JAE 02 504 092 83	RK Caliper SK7 - right	
A 004 420 ...			
A 004 420 60 20	JAE 02 504 010 20	RK Brake pad SN7	
A 004 420 70 20	JAE 02 504 070 20	RK Brake pad SK7	
A 004 420 83 83	JAE 02 504 083 83	RK Caliper SN7 - left	
A 004 420 84 83	JAE 02 504 084 83	RK Caliper SN7 - right	
A 004 542 44 18	JAE 02 504 100 55	RK ABS sensor	Part of RK ABS sensor
A 005 981 ...			
A 005 981 83 05	JAE 01 503 100 05	RK Conventional bearing 10.5 t TZ5/2	Part of conventional bearing TZ5/2
A 005 981 83 05	JAE 01 503 101 05	RK Conventional bearing 10.5 t TZ3/2	Part of conventional bearing TZ3/2
A 005 981 85 05	JAE 01 503 100 05	RK Conventional bearing 10.5 t TZ5/2	Part of conventional bearing TZ5/2
A 005 981 85 05	JAE 01 503 101 05	RK Conventional bearing 10.5 t TZ3/2	Part of conventional bearing TZ3/2
A 006 420 ...			
A 006 420 10 20	JAE 02 504 010 20	RK Brake pad SN7	
A 006 420 52 24	JAE 02 104 052 24	Brake chamber 16" /left & right/ screwed clamping ring	

Spare parts reference list Mercedes-Benz to JOST

Valid for all DCA axles and DLS axles after August 2005

Daimler spare part numbers	JOST spare part numbers	JOST spare part designation	Additional information
A 007 420 ...			
A 007 420 12 24	JAE 02 104 012 24	Diaphragm brake chamber 20" /left & right/ screwed clamping ring	
A 007 420 13 24	JAE 02 104 013 24	Diaphragm brake chamber 22" /left & right/ screwed clamping ring	
A 007 420 14 24	JAE 02 104 014 24	Diaphragm brake chamber 24" /left & right/ screwed clamping ring	
A 008 420 ...			
A 008 420 85 24	JAE 02 104 085 24	Diaphragm brake chamber 16" /left & right/ closed clamping ring	
A 010 990 ...			
A 010 990 77 82	JAE 20 505 100 55	RK Shock absorber mounting	Part of RK Shock absorber mounting
A 012 981 ...			
A 012 981 40 05	JAE 01 503 100 05	RK Conventional bearing 10.5 t TZ5/2	Part of conventional bearing TZ5/2
A 012 981 40 05	JAE 01 503 101 05	RK Conventional bearing 10.5 t TZ3/2	Part of conventional bearing TZ3/2
A 013 997 ...			
A 013 997 73 46	JAE 01 203 073 46	Cassette seal TZ3/2	
A 013 997 73 46	JAE 01 503 101 05	RK Conventional bearing 10.5 t TZ3/2	Part of conventional bearing TZ3/2
A 017 420 ...			
A 017 420 88 18	JAE 02 104 088 18	Piston brake chamber 16/16" /left	
A 017 420 89 18	JAE 02 104 089 18	Piston brake chamber 16/16" /right	
A 017 981 ...			
A 017 981 50 05	JAE 01 503 100 05	RK Conventional bearing 10.5 t TZ5/2	Part of conventional bearing TZ5/2
A 017 981 50 05	JAE 01 503 101 05	RK Conventional bearing 10.5 t TZ3/2	Part of conventional bearing TZ3/2
A 018 420 ...			
A 018 420 52 18	JAE 02 104 052 18	Piston brake chamber 16/24" /right	
A 018 420 53 18	JAE 02 104 053 18	Piston brake chamber 16/24" /left	
A 018 420 55 18	JAE 02 104 055 18	Piston brake chamber 20/24" /left	
A 018 420 56 18	JAE 02 104 056 18	Piston brake chamber 20/24" /right	
A 021 420 ...			
A 021 420 61 18	JAE 20 104 061 18	Piston brake chamber 16/16"	
A 021 997 ...			
A 021 997 69 47	JAE 01 103 069 47	Cassette seal TZ5/2	
A 021 997 69 47	JAE 01 503 100 05	RK Conventional bearing 10.5 t TZ5/2	Part of conventional bearing TZ5/2
A 023 420 ...			
A 023 420 46 18	JAE 02 104 046 18	Piston brake chamber 16/24"	
A 023 420 47 18	JAE 02 104 047 18	Piston brake chamber 16/24"	
A 023 420 65 18	JAE 02 104 065 18	Double diaphragm brake chamber 16" /left & right	
A 027 997 ...			
A 027 997 88 48	JAE 02 103 088 48	O-ring D = 142	
A 027 997 88 48	JAE 02 503 004 20	Hub cap	Part of RK Hub cap
A 029 997 ...			
A 029 997 97 48	JAE 02 103 097 48	O-ring D = 80	
A 327 356 ...			
A 327 356 01 20	JAE 02 203 001 20	Hub cap 10.5 t	
A 355 542 02 73	JAE 02 504 100 55	RK ABS sensor	Part of RK ABS sensor
A 381 401 ...			
A 381 401 07 71	JAE 01 208 037 71	Wheel bolt M22 x 1.5 x 110	
A 381 401 07 71	JAE 01 208 037 71 10	Wheel bolt M22 x 1.5 x 110	10-pack
A 385 542 ...			
A 385 542 03 17	JAE 02 203 003 17	ABS ring - 100 tooth	
A 389 401 ...			
A 389 401 00 71	JAE 01 208 024 71	Wheel bolt M22 x 1.5 x 80	

Spare parts reference list Mercedes-Benz to JOST

Valid for all DCA axles and DLS axles after August 2005

Daimler spare part numbers	JOST spare part numbers	JOST spare part designation	Additional information
A 389 401 00 71 A 675 353 ...	JAE 01 208 024 71 10	Wheel bolt M22x1.5x80	10-pack
A 675 356 02 15 A 675 421 ...	JAE 20 203 002 15	Thrust ring – axle journal	
A 675 421 00 12	JAE 01 104 000 12	Brake disc 19.5" - 10 hole	
A 675 421 01 12 A 942 401 ...	JAE 01 104 000 12	Brake disc 19.5" - 10 hole	
A 942 401 02 71	JAE 01 208 023 71	Wheel bolt M22 x 1.5 x 68	
A 942 401 02 71 A 942 423 ...	JAE 01 208 023 71 10	Wheel bolt M22x1.5x68	10-pack
A 942 423 00 12	JAE 01 104 001 12	Brake disc 22.5"	
A 942 423 01 12 A 942 990 ...	JAE 01 104 001 12	Brake disc 22.5"	
A 942 990 01 14	JAE 01 208 001 14	Fitting screw M16x1.5x60	
A 942 990 01 14 A 943 334 ...	JAE 30 504 101 55	RK Brake calliper screw connection	Part of RK Brake calliper screw connection
A 943 334 00 80	JAE 01 203 000 80	Hub cap gasket	
A 943 334 00 80	JAE 01 503 100 05	RK Conventional bearing 10.5 t TZ5/2	Part of conventional bearing TZ5/2
A 943 334 00 80 A 946 320 ...	JAE 01 503 101 05	RK Conventional bearing 10.5 t TZ3/2	Part of conventional bearing TZ3/2
A 946 320 00 34	JAE 30 505 100 34	RK Air bellows support type A, M14	2x required per axle
A 946 320 02 34	JAE 30 505 102 34	RK Air bellows support typeC, M14	2x required per axle
A 946 320 03 34	JAE 30 505 103 34	RK Air bellows support typeB, M14	2x required per axle
A 946 320 03 35	JAE 02 205 003 35	Air bellows pedestal H = 50	
A 946 320 04 34	JAE 30 505 104 34	RK Air bellows support type A, M16	2x required per axle
A 946 320 04 35	JAE 02 205 004 35	Air bellows pedestal H = 70	
A 946 320 05 34	JAE 30 505 105 34	RK Air bellows support type B, M16	2x required per axle
A 946 320 06 35	JAE 02 205 006 35	Air bellows pedestal H = 100	
A 946 320 07 34	JAE 30 505 107 34	RK Air bellows support type D, M14	2x required per axle
A 946 320 08 34	JAE 30 505 108 34	RK Air bellows support type C, M16	2x required per axle
A 946 320 08 35	JAE 02 205 008 35	Air bellows pedestal H = 155	
A 946 320 09 34	JAE 30 505 109 34	RK Air bellows support type E, M14	2x required per axle
A 946 320 10 35	JAE 02 205 010 35	Air bellows pedestal H = 125	
A 946 320 18 35	JAE 02 205 018 35	Air bellows pedestal H = 200	
A 946 320 24 35	JAE 30 505 024 35	RK Offset plate for tipper	
A 946 320 25 78	JAE 20 105 025 78	Hanger bracket H = 285	
A 946 320 27 78	JAE 20 105 027 78	Hanger bracket H = 335	
A 946 320 31 78	JAE 20 105 031 78	Hanger bracket H = 230	
A 946 320 33 78	JAE 20 105 033 78	Hanger bracket H = 280	
A 946 320 36 78	JAE 20 105 036 78	Hanger bracket H = 335	
A 946 320 64 78	JAE 20 105 064 78	Hanger bracket H = 255	
A 946 320 65 78	JAE 30 105 065 78	Hanger bracket H = 250	
A 946 320 66 78	JAE 30 105 066 78	Hanger bracket H = 325	
A 946 320 67 78 A 946 322 ...	JAE 30 105 067 78	Hanger bracket H = 400	
A 946 322 00 32 A 946 323 ...	JAE 20 205 000 32	Check strap	
A 946 323 00 90 A 946 325 ...	JAE 20 505 100 90	RK Tracking/wear plate for hanger bracket	
A 946 325 00 44	JAE 30 207 000 44	Rubber stop	
A 946 325 00 44	JAE 20 507 100 44	RK Rubber stop	
A 946 325 01 44	JAE 30 207 001 44	Rubber stop	

Spare parts reference list Mercedes-Benz to JOST

Valid for all DCA axles and DLS axles after August 2005

Daimler spare part numbers	JOST spare part numbers	JOST spare part designation	Additional information
A 946 325 01 44	JAE 20 507 101 44	RK Rubber stop	
A 946 325 03 47	JAE 20 505 000 47	RK U-bolt M22	U-bolt connection M22 replaced type M24
A 946 325 06 47	JAE 20 505 000 47	RK U-bolt M22	Part of RK U-bolt M22
A 946 326 ...			
A 946 326 02 00	JAE 20 105 002 00	Shock absorber	
A 946 326 03 00	JAE 20 105 003 00	Shock absorber	
A 946 326 05 00	JAE 30 105 005 00	Shock absorber short	279 mm, closed
A 946 326 07 00	JAE 30 105 007 00	Shock absorber long	294 mm, closed
A 946 326 08 00	JAE 20 105 008 00	Shock absorber	
A 946 328 ...			
A 946 328 00 11	JAE 30 205 000 11	Centring cone	
A 946 328 00 62	JAE 30 107 000 62	Air connection	2x required per axle
A 946 328 00 74	JAE 20 507 102 55	RK Screw connections hanger bracket lift	Part of RK Screw connections hanger bracket lift
A 946 328 00 76	JAE 30 505 101 55	RK Pivot bolt set	Part of RK Pivot bolt set
A 946 328 00 76	JAE 30 505 100 50	RK 3D pivot bushing	Part of RK 3D pivot bushing
A 946 328 01 50	JAE 20 507 102 55	RK Screw connections hanger bracket lift	Part of RK Screw connections hanger bracket lift
A 946 328 02 50	JAE 20 507 102 55	RK Screw connections hanger bracket lift	Part of RK Screw connections hanger bracket lift
A 946 328 02 64	JAE 30 107 002 64	Air connection	
A 946 328 04 76	JAE 30 205 004 76	Pressure plate	
A 946 328 08 41	JAE 30 505 104 34	RK Air bellows support type A M16	Part of RK Air bellows support type A M16
A 946 328 10 41	JAE 30 505 108 34	RK Air bellows support type C M16	Part of RK Air bellows support type C M16
A 946 328 11 41	JAE 30 505 103 34	RK Air bellows support type B M14	Part of RK Air bellows support type B M14
A 946 328 12 41	JAE 30 505 100 34	RK Air bellows support type A M14	Part of RK Air bellows support type A M14
A 946 328 13 41	JAE 30 505 102 34	RK Air bellows support type C M14	Part of RK Air bellows support type C M14
A 946 328 14 01	JAE 30 105 014 01	Air bellows - 300S	
A 946 328 14 41	JAE 30 505 107 34	RK Air bellows support type D M14	Part of RK Air bellows support type D M14
A 946 328 15 01	JAE 20 105 015 01	Air bellows - 360L	
A 946 328 15 41	JAE 30 505 105 34	RK Air bellows support type B M16	Part of RK Air bellows support type B M16
A 946 328 16 01	JAE 20 107 016 01	Air bellows - Twinlift	
A 946 328 18 41	JAE 30 505 109 34	RK Air bellows support type E M14	Part of RK Air bellows support type E M14
A 946 328 19 01	JAE 20 105 019 01	Air bellows - 360K	
A 946 328 19 40	JAE 02 204 019 40	Holder for brake wear indicator and ABS connector	
A 946 328 20 40	JAE 20 107 020 40	Lift bellow support	
A 946 328 21 01	JAE 20 107 021 01	Lift bellows - twin lift "rocker"	
A 946 328 21 40	JAE 20 507 100 40	Air spring fixing bracket top, left	
A 946 328 22 01	JAE 30 105 022 01	Air bellows - 360M	
A 946 328 22 40	JAE 20 507 100 40	Air spring fixing bracket top, right	
A 946 328 24 01	JAE 30 107 024 01	Lift bellows - twin lift "rocker"	
A 946 328 25 01	JAE 30 105 025 01	Air bellows - 300I	
A 946 328 25 35			Not applicable in conjunction with air bellows with steel piston
A 946 328 26 01	JAE 30 105 026 01	Air bellows - 300R	
A 946 328 26 35	JAE 20 505 126 35	RK Offset plate Offset=90	Part of RK Offset plate Offset=90
A 946 328 27 35	JAE 20 505 127 35	RK Offset plate Offset=65	Part of RK Offset plate Offset=65
A 946 328 28 35	JAE 20 105 028 35	U-bolt plate Linkarm, overslung	
A 946 328 29 35	JAE 20 105 029 35	U-bolt plate Linkarm, overslung	
A 946 328 30 35	JAE 20 105 030 35	U-bolt plate Linkarm, underslung	
A 946 328 31 35	JAE 20 105 031 35	U-bolt plate Linkarm, underslung	
A 946 328 32 35	JAE 20 105 032 35	U-bolt plate Linkarm, underslung	
A 946 328 32 40	JAE 30 107 032 40	Holder	

Spare parts reference list Mercedes-Benz to JOST

Valid for all DCA axles and DLS axles after August 2005

Daimler spare part numbers	JOST spare part numbers	JOST spare part designation	Additional information
A 946 328 69 35	JAE 20 107 069 35	Air bellows pedestal H = 265	
A 946 328 70 35	JAE 02 105 070 35	Air bellows pedestal H = 5	
A 946 328 80 35	JAE 30 107 080 35	Air bellows pedestal H = 295	
A 946 332 ...			
A 946 332 00 72	JAE 02 106 000 72	Clamping nut	
A 946 333 ...			
A 946 333 00 17	JAE 20 105 000 17	Pivot bush	
A 946 334 ...			
A 946 334 01 15	JAE 01 203 001 15	ABS ring - 80 tooth	
A 946 334 05 15	JAE 02 203 005 15	ABS ring - 90 tooth	
A 946 350 ...			
A 946 350 01 06	JAE 20 105 001 06	Linkarm 1x48, cropped	
A 946 350 01 38	JAE 30 207 001 38	Bracket	
A 946 350 01 38	JAE 30 507 100 55	RK Twin lift "rocker" DCA	
A 946 350 02 06	JAE 20 105 002 06	Linkarm 1x48, straight	
A 946 350 03 06	JAE 20 105 003 06	Linkarm 1x54, IK straight	
A 946 350 04 06	JAE 20 105 003 06	Linkarm 1x54, IK straight	
A 946 350 08 06	JAE 20 307 008 06	Arm - center lift	
A 946 350 09 06	JAE 30 107 009 06	Arm - center lift DCA	
A 946 350 11 06	JAE 20 105 002 06	Linkarm 1x48 straight	
A 946 350 13 06	JAE 20 105 013 06	Linkarm 1x54 cropped	
A 946 350 14 06	JAE 20 105 014 06	Linkarm 1x54 straight	
A 946 350 15 06	JAE 20 507 015 06	RK Axle lift arm	
A 946 350 18 06	JAE 30 207 018 06	Axle lift arm	
A 946 356 ...			
A 946 356 03 01	JAE 01 203 034 01	Hub assembly	
A 946 356 04 20	JAE 02 503 004 20	RK Hub cap	Part of RK Hub cap
A 946 356 13 01	JAE 01 203 013 01	Hub assembly	
A 946 356 34 01	JAE 01 203 034 01	Hub assembly	
A 946 390 ...			
A 946 390 02 40	JAE 30 507 002 40	RK Lift bellows support bracket pair	
A 946 390 02 50	JAE 30 205 002 50	3D pivot bushing	
A 946 390 02 50	JAE 30 505 100 50	RK 3D pivot bushing	Part of RK 3D pivot bushing
A 946 390 03 40	JAE 30 507 003 40	RK Lift bellows guide bracket pair	
A 946 390 04 40	JAE 30 507 004 40	RK Lift bellows support bracket pair	
A 946 390 05 40	JAE 30 507 005 40	RK Holder lift bellows guide	
A 946 390 08 07	JAE 22 106 008 07	Track rod, type A 2040	
A 946 390 09 07	JAE 22 106 009 07	Track rod, type A 2095	
A 946 390 10 07	JAE 22 106 010 07	Track rod, type A 2140	
A 946 390 10 44	JAE 02 106 010 44	Steering knuckle, left	
A 946 390 11 44	JAE 02 106 011 44	Steering knuckle right	
A 946 390 13 07	JAE 22 106 013 07	Track rod, type B 2040	
A 946 390 14 07	JAE 22 106 014 07	Track rod, type B 2095	
A 946 390 15 07	JAE 22 106 015 07	Track rod, type B 2140	
A 946 390 17 07	JAE 32 106 017 07	Track rod 2040	
A 946 390 18 07	JAE 32 106 018 07	Track rod 2090	
A 946 390 19 07	JAE 32 106 019 07	Track rod 2140	
A 946 391 ...			
A 946 391 00 22	JAE 02 106 000 22	Locking cylinder - steering axle	
A 946 391 00 41	JAE 02 106 000 41	Plate with air connection - steering axle	
A 946 391 00 50	JAE 30 507 005 40	RK Holder lift bellows guide	Part of RK Holder lift bellows guide
A 946 391 00 76	JAE 02 206 000 76	Toothed washer	
A 946 391 01 20	JAE 02 106 001 20	Bottom over kingpin	

Spare parts reference list Mercedes-Benz to JOST

Valid for all DCA axles and DLS axles after August 2005

Daimler spare part numbers	JOST spare part numbers	JOST spare part designation	Additional information
A 946 391 01 41	JAE 02 106 001 41	Plate - compensating bellows for tracking - steering axle	
A 946 391 02 20	JAE 02 106 002 20	Top cover kingpin	
A 946 391 06 40			Welded, can not be ordered separately
A 946 393 ...			
A 946 393 00 47	JAE 02 106 000 47	Steering shock absorber	
A 946 393 00 74	JAE 02 106 000 74	Kingpin	
A 946 393 00 77	JAE 02 106 000 77	Compensating bellows for tracking	
A 946 393 00 90	JAE 02 511 100 88	RK Lubricating nipple	Part of RK Lubricating nipple
A 946 431 ...			
A 946 431 00 31	JAE 33 102 000 31	Drain valve - AIRMASTER	
A 946 542 ...			
A 946 542 01 18	JAE 02 104 001 18	RK Wear sensor	
A 946 990 ...			
A 946 990 00 00	JAE 30 505 101 55	RK Pivot bolt set	Part of RK Pivot bolt set
A 946 990 00 00	JAE 30 505 100 50	RK Pivot bolt set	Part of RK Pivot bolt set
A 946 990 00 14	JAE 20 505 101 55	RK Pivot bolt set	Part of RK Pivot bolt set
A 946 990 00 47	JAE 20 505 104 55	RK Screw connection for air bellows Offset=65	Part of RK Screw connection for air bellows Offset=65
A 946 990 00 51	JAE 20 505 100 55	RK Shock absorber mounting	Part of RK Shock absorber mounting
A 946 990 01 01	JAE 20 505 104 55	RK Screw connection for air bellows Offset=65	Part of RK Screw connection for air bellows Offset=65
A 946 990 01 51	JAE 20 505 101 55	RK Pivot bolt set	Part of RK Pivot bolt set
A 946 990 01 51	JAE 20 507 102 55	RK Connection hanger bracket lift	Part of RK Connection hanger bracket lift
A 946 990 01 86	JAE 00 108 001 86	Lift pivot bushing	
A 946 990 01 86	JAE 30 507 100 55	RK Twin lift "rocker" DCA	
A 946 990 02 01	JAE 00 208 002 01	Bolt M10 x 160 - 8.8	
A 946 990 02 01	JAE 20 507 100 44	RK Rubber stop	
A 946 990 02 50	JAE 00 209 002 50	Nut M12	
A 946 990 02 50	JAE 20 505 102 55	RK Screw connection for air bellows Offset=90	Part of RK Screw connection for air bellows Offset=90
A 946 990 02 50	JAE 20 505 103 55	RK Screw connection for air bellows Offset=50	Part of RK Screw connection for air bellows Offset=50
A 946 990 02 50	JAE 20 505 104 55	RK Screw connection for air bellows Offset=65	Part of RK Screw connection for air bellows Offset=65
A 946 990 02 50	JAE 20 505 126 35	RK Offset plate Offset=90	Part of RK Offset plate Offset=90
A 946 990 02 50	JAE 20 505 127 35	RK Offset plate Offset=65	Part of RK Offset plate Offset=65
A 946 990 04 01	JAE 00 208 004 01 02	Bolt M10 x 25 - 8.8	2-pack
A 946 990 08 01	JAE 30 208 008 01 04	Bolt M10 x 20 - 8.8	4-pack
A 946 990 08 40	JAE 20 505 101 55	RK Pivot bolt set	Part of RK Pivot bolt set
A 946 990 09 50	JAE 00 209 100 10 02	Nut M10	2-pack
A 946 990 09 50	JAE 20 507 100 44	RK Rubber stop	
A 946 990 16 01	JAE 20 505 100 55	RK Shock absorber mounting	Part of RK Shock absorber mounting
A 946 990 17 01	JAE 20 505 100 55	RK Shock absorber mounting	Part of RK Shock absorber mounting
A 946 997 ...			
A 946 997 00 76	JAE 30 107 002 64	Air connection	
A 946 997 00 88	JAE 02 511 100 88	RK Lubricating nipple	Part of RK Lubricating nipple
A 947 391 ...			
A 947 391 00 21	JAE 33 202 000 21	Drain valve - DCA AIRMASTER	
A 970 990 ...			
A 970 990 00 50	JAE 01 209 000 50	Axle end nut M80 x 1.5 RH	
A 970 990 01 50	JAE 01 209 001 50	Axle end nut M80 x 1.5 LH	
A 975 423 ...			
A 975 423 06 12	JAE 02 104 006 12	Brake disc 19.5"	

Spare parts reference list Mercedes-Benz to JOST

Valid for all DCA axles and DLS axles after August 2005

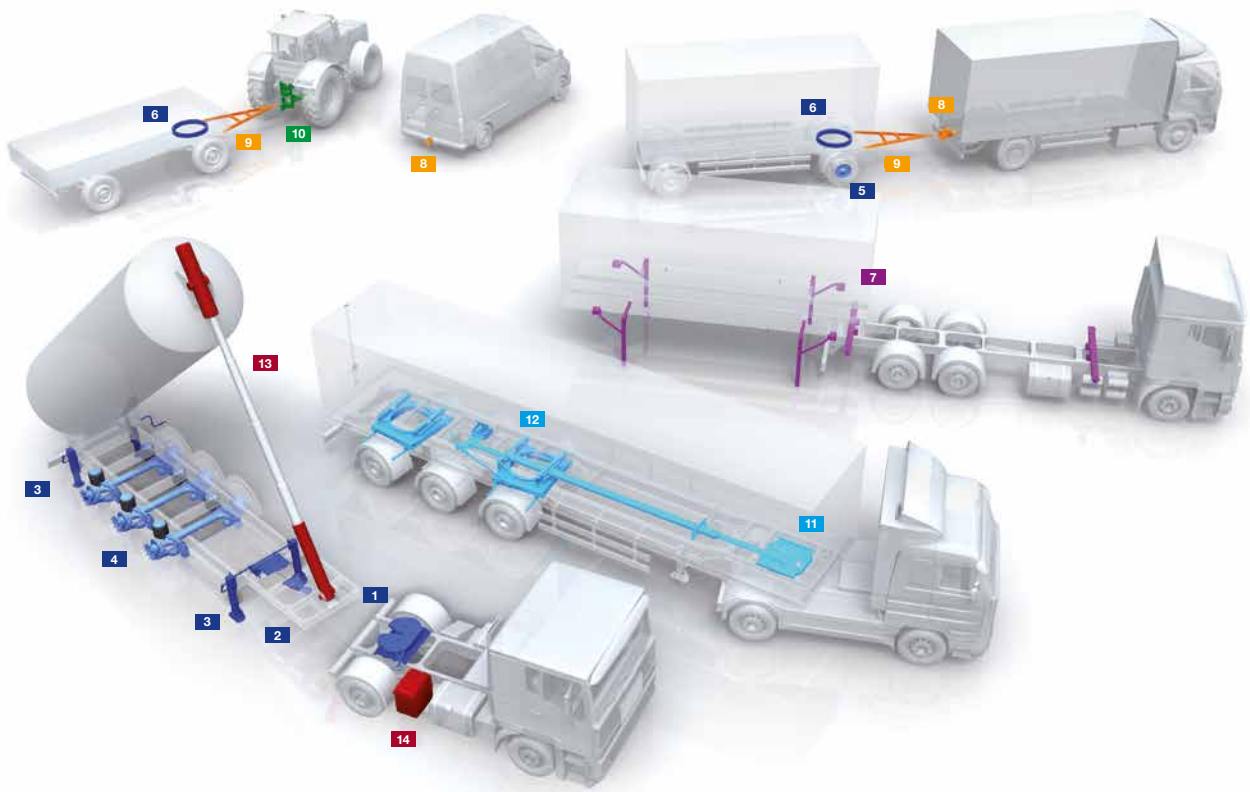
Daimler spare part numbers	JOST spare part numbers	JOST spare part designation	Additional information
A 976 356 ...			
A 976 356 00 26	JAE 01 503 100 05	RK conventional bearing 10.5 t TZ5/2	Part of conventional bearing TZ5/2
A 976 356 00 26	JAE 01 503 101 05	RK conventional bearing 10.5 t TZ3/2	Part of conventional bearing TZ3/2
A 976 356 00 52	JAE 01 503 100 05	RK conventional bearing 10.5 t TZ5/2	Part of conventional bearing TZ5/2
A 976 356 00 52	JAE 01 503 101 05	RK conventional bearing 10.5 t TZ3/2	Part of conventional bearing TZ3/2
A 976 356 00 73	JAE 01 503 100 05	RK conventional bearing 10.5 t TZ5/2	Part of conventional bearing TZ5/2
A 976 356 00 73	JAE 01 503 101 05	RK conventional bearing 10.5 t TZ3/2	Part of conventional bearing TZ3/2
A 976 356 00 73	JAE 02 210 000 73	Tab washer	
N 000 000 ...			
N 000 000 000 110	JAE 00 208 102 14 08	Bolt M14x1.5x55	8-pack
N 000 000 002 968	JAE 20 505 100 55	RK Shock absorber mounting	Part of RK Shock absorber mounting
N 000 000 003 278	JAE 00 209 100 08	Nut M8	
N 000 000 003 493	JAE 00 008 108 12	Bolt M12x150 - 10.9	
N 000 000 003 493	JAE 00 508 102 12	RK Screw connection for air bellows LBT, type C	Part of RK Screw connection for air bellows LBT, type C
N 000 000 003 840	JAE 00 208 101 12	Bolt M12x1.5x85 - 10.9	
N 000 000 005 393	JAE 00 208 102 14 08	Bolt M14x1.5x55	8-pack
N 000 000 005 536	JAE 00 208 100 16	Bolt M16x1.5x60 - 10.9	
N 000 000 005 536	JAE 00 508 100 16	RK Screw connection for air bellows type A B C, M16	5-pack
N 000 000 005 536	JAE 30 504 101 55	RK Brake calliper screw connection	Part of RK Brake calliper screw connection
N 000 000 005 536	JAE 30 505 105 34	RK Air bellows support type B, M16	Part of RK Air bellows support type B, M16
N 000 000 005 536	JAE 30 505 104 34	RK Air bellows support type A, M16	Part of RK Air bellows support type, M16
N 000 000 005 536	JAE 30 505 108 34	RK Air bellows support type C, M16	Part of RK Air bellows support type C, M16
N 000 000 005 571	JAE 30 505 100 55	RK Shock absorber mounting DCA	Part of RK Shock absorber mounting DCA
N 000 000 005 717	JAE 00 008 106 14	Bolt M14x1.5x70 - 10.9	
N 000 000 005 717	JAE 00 008 106 14 10	Bolt M14x1.5x70 - 10.9	10-pack
N 000 000 005 721	JAE 00 208 101 14	Bolt M14x1.5x60 - 10.9	
N 000 000 005 721	JAE 00 508 101 14	RK Screw connections, air bellows support type D	5-pack
N 000 000 005 721	JAE 30 505 107 34	RK Air bellows support type D, M14	Part of RK Air bellows support type D, M14
N 000 000 005 729	JAE 30 505 100 55	RK Shock absorber mounting DCA	Part of RK Shock absorber mounting DCA
N 000 000 005 729	JAE 00 208 101 20	Bolt M20x1.5x100 - 10.9	
N 000 000 005 735	JAE 00 209 100 16 02	Nut M16	2-pack
N 000 000 005 766	JAE 00 208 102 16	Bolt M16x1.5x60 - 10.9	
N 000 000 005 901	JAE 30 505 100 55	RK Shock absorber mounting DCA	Part of RK Shock absorber mounting DCA
N 000 000 005 901	JAE 00 209 100 20	Nut M20x1.5	
N 000 000 006 004	JAE 00 208 104 14	Bolt M14x1.5x75 - 10.9	
N 000 000 006 004	JAE 00 208 104 14 10	Bolt M14x1.5x75 - 10.9	10-pack
N 000 000 007 645	JAE 00 208 108 20	Bolt M20x70 - 10.9	
N 000 000 007 646	JAE 00 209 101 20	Nut M20	
N 000 912 ...			
N 000 912 010 219	JAE 00 208 102 10	Cylinder bolt M10x35 - 10.9	
N 000 917 ...			
N 304 017 012 003	JAE 20 505 102 55	RK Screw connection for air bellows Offset = 90	Part of RK Shock absorber mounting Offset = 90
N 304 017 012 018	JAE 20 505 103 55	RK Screw connection for air bellows Offset = 50	Part of RK Shock absorber mounting Offset = 50
N 304 017 012 020	JAE 20 505 104 55	RK Shock absorber mounting Offset = 65	Part of RK Shock absorber mounting Offset = 65
N 910 105 ...			
N 910 105 008 008	JAE 00 208 100 08	Bolt M8x16 - 10.9	
N 910 105 008 026	JAE 00 208 104 08 04	Bolt M8x20 - 8.8	4-pack
N 910 105 010 001	JAE 00 208 106 10	Bolt M10x30 - 10.9	
N 910 105 010 006	JAE 00 208 107 10 02	Bolt M10x20 - 10.9	2-pack
N 910 105 010 007	JAE 00 208 111 10 04	Bolt M10x35 - 10.9	4-pack
N 910 105 010 007	JAE 30 507 100 55	RK Twin lift "rocker" DCA	
N 910 105 010 009	JAE 00 208 109 10	Bolt M10x25 - 10.9	
N 910 105 010 009	JAE 20 507 101 44	RK Rubber stop	

Spare parts reference list Mercedes-Benz to JOST

Valid for all DCA axles and DLS axles after August 2005.

Daimler spare part numbers	JOST spare part numbers	JOST spare part designation	Additional information
N 910 105 010 040	JAE 00 208 110 10	Bolt M10x16 - 10.9	
N 910 105 012 015	JAE 20 507 104 55	RK Screw connections bracket lift	Part of RK Screw connections bracket lift
N 910 105 012 019	JAE 00 208 106 12	Bolt M12x1.5x65 - 10.9	
N 910 105 012 022	JAE 00 208 107 12	Bolt M12x80 - 10.9	
N 910 105 012 022	JAE 00 508 107 12	RK Shock absorber mounting LBT type A B D	Part of RK Shock absorber mounting LBT type A B D
N 910 105 012 022	JAE 00 508 102 12	RK Shock absorber mounting LBT type C	Part of RK Shock absorber mounting LBT type C
N 910 105 012 024	JAE 00 208 100 12	Bolt M12x30 - 10.9	
N 910 105 012 024	JAE 00 50810012	RK Shock absorber mounting LBT type E	Part of RK Shock absorber mounting LBT type E
N 910 105 014 010	JAE 00 208 100 14	Bolt M14x1.5x45 - 10.9	
N 910 105 014 010	JAE 00 208 100 14 10	Bolt M14x1.5x45 - 10.9	10-pack
N 910 105 014 010	JAE 00 508 100 14	RK Screw connection for air bellows LBT type A B C E	5-pack
N 910 105 014 010	JAE 30 505 100 34	RK Air bellows support type A	Part of RK Air bellows support type A
N 910 105 014 010	JAE 30 505 103 34	RK Air bellows support type B	Part of RK Air bellows support type B
N 910 105 014 010	JAE 30 505 102 34	RK Air bellows support type C	Part of RK Air bellows support type C
N 910 105 014 010	JAE 30 505 109 34	RK Air bellows support type E	Part of RK Air bellows support type E
N 912 004 ...			
N 912 004 012 100	JAE 20 505 104 55	RK Shock absorber mounting Offset = 65	Part of RK Shock absorber mounting Offset = 65
N 913 023 ...			
N 913 023 010 002	JAE 00 209 102 10 02	Nut M10	2-pack
N 913 023 010 002	JAE 20 507 101 44	RK Rubber stop	
N 913 023 012 002	JAE 00 209 100 12	Nut M12x1.5	
N 913 023 012 002	JAE 20 507 104 55	RK Screw connections bracket lift	Part of RK Screw connections bracket lift

We reserve the right to make **changes to the technical specifications** of all the products depicted in this catalogue. Updated information may be available in the online catalog at www.jost-axle-systems.com. Please refer to the appropriate documentation for installation, assembly and repair instructions. You can find further technical details and information (e. g. mounting and operating instructions) as well as terms of guarantee at www.jost-axle-systems.com



JOST

ROCKINGER



- 1 Fifth wheel couplings and systems**
2" and 3 1/2" fifth wheel couplings in a variety of construction heights, bearing types and versions, mounting plates, sliders and dual-height fifth wheel systems; sensor-controlled systems for the coupling procedure between truck and trailer



- 2 King pins**
2" and 3 1/2" king pins with a conical or plate-shaped flange



- 3 Landing gears**
Landing gears with variable bolting heights, crank handles, connection shaft-lengths and foot types, special landing gears for special applications



- 4 Axle systems**
Weight-saving trailer axles with various special equipment for a wide range of uses



- 5 Hubdometers**
Used to calculate distance driven, independent of the truck



- 6 Ball bearing turntables**
Ball bearing turntables and slewing rings in a wide range of sizes and versions



- 7 Container technology**
Components for intermodal transports, supports, twist locks and bolsters, swap body lifting devices, guide roller bearings and bearings



- 8 Road traffic**
Open-end, hook and ball towing hitches, suspension elements, VARIOBLOCK alternating system and special models

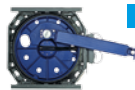


- 9 Drawbars and towing eyes**
Drawbars and towing eyes as well as custom-made products for on and off-road usage



- 10 Agriculture**
Open-end, hook and ball towing hitches, height adjustable brackets and clutch carriers for agriculture and forestry

TRIDEC



- 11 Steering systems**
Axel-independent or manufacturer-independent mechanically, hydraulic and electronically controlled steering systems for trailers



- 12 Axle suspensions**
Air suspension or hydraulically suspended axle suspensions for on and off-road usage

Edbro



- 13 Vehicle-mounted hydraulic systems**
Front end, underbody and tipping ejector cylinders for trucks and trailers/trailer tippers



- 14 Customer-specific hydraulic component kits**
Hydraulic component kits for various applications, chassis-specific hydraulic container component kits

Member of JOST-World

JOST, Germany Tel. +49 6102 295-0, jost-sales@jost-world.com, www.jost-world.com

JOST Achsen Systeme, Germany Tel. +49 5674 9237-0, sales.achsen@jost-world.com, www.jost-axle-systems.com